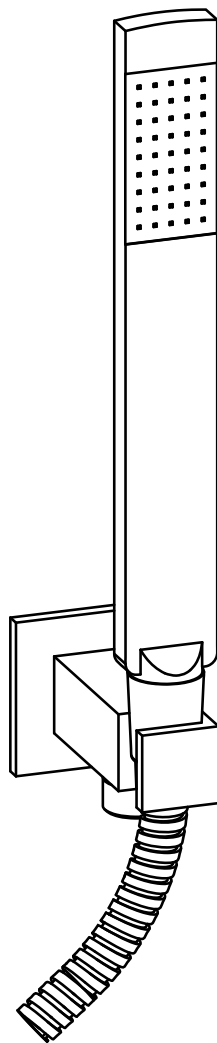
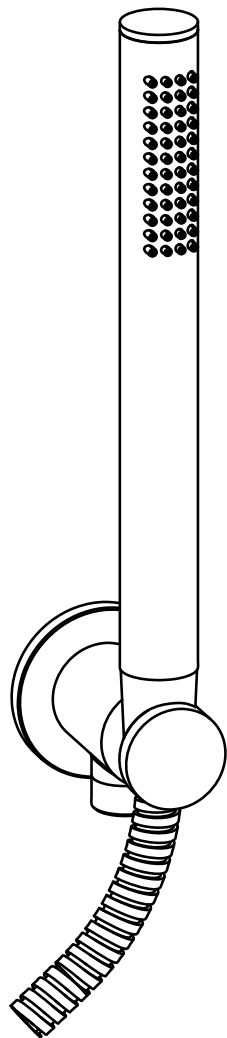


# ZDUP

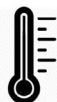
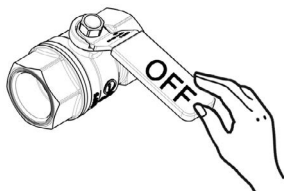
094..

095..



Montaggio  
Assembly

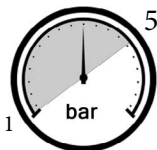
1



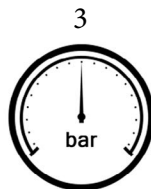
$65 \pm 5^\circ\text{C}$



$15 \pm 5^\circ\text{C}$



MIN - MAX

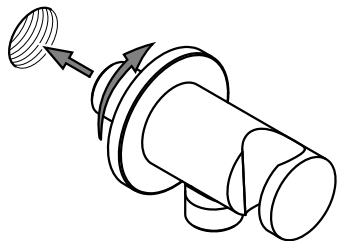


OK

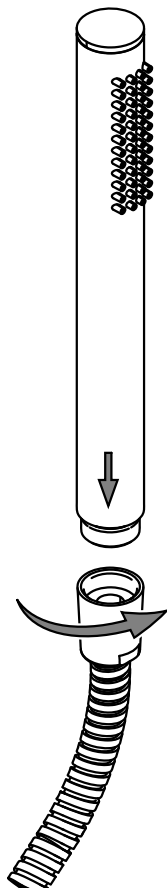
2

094..

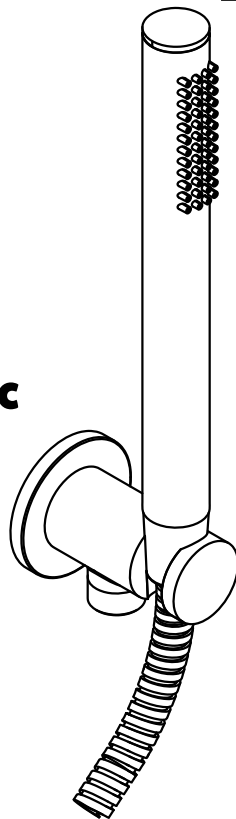
a



b

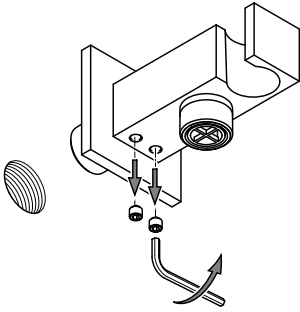


c

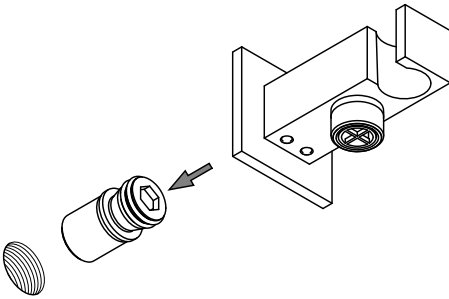


# 3

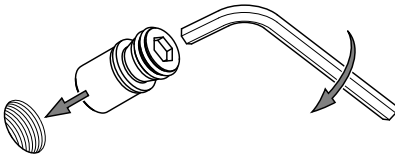
**a**



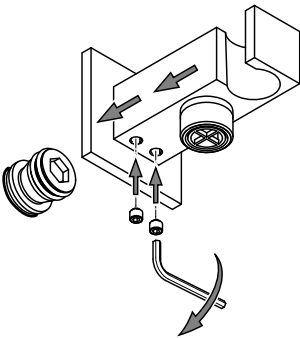
**b**



**c**



**d**



**e**



**f**

