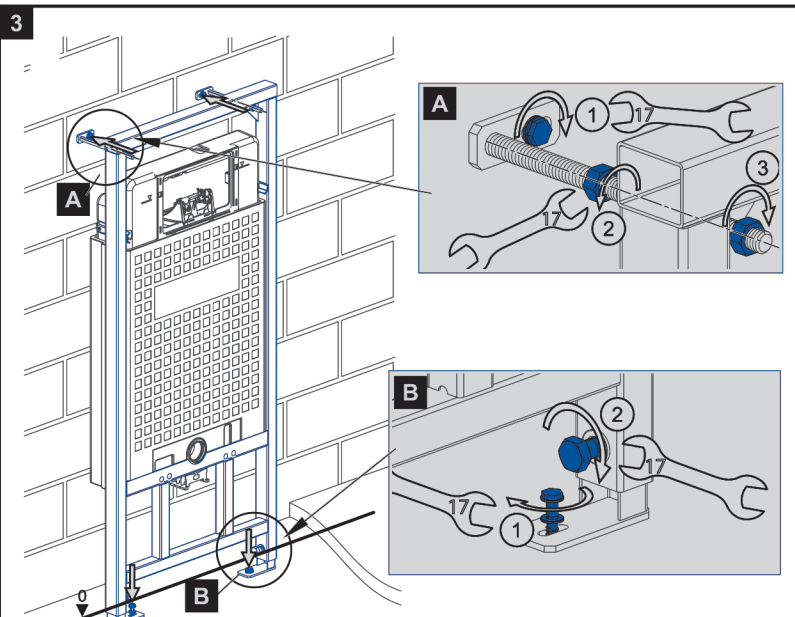
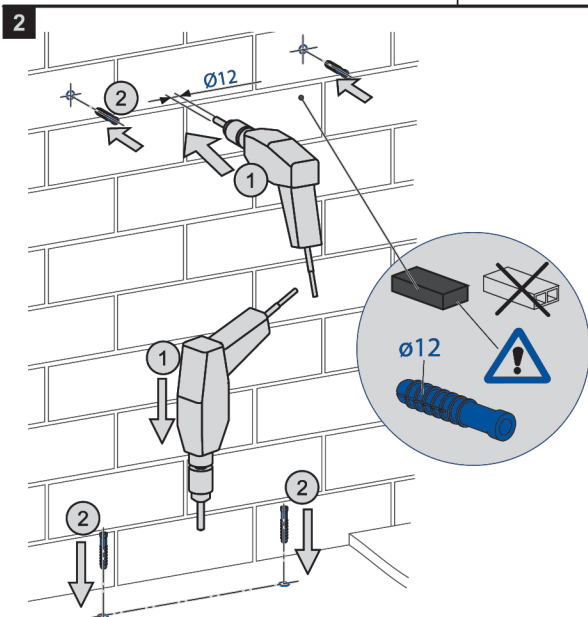
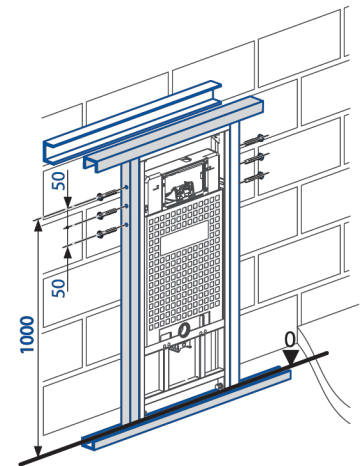
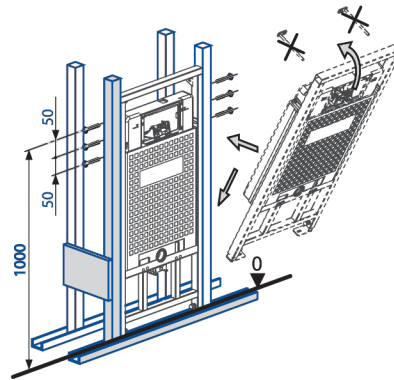
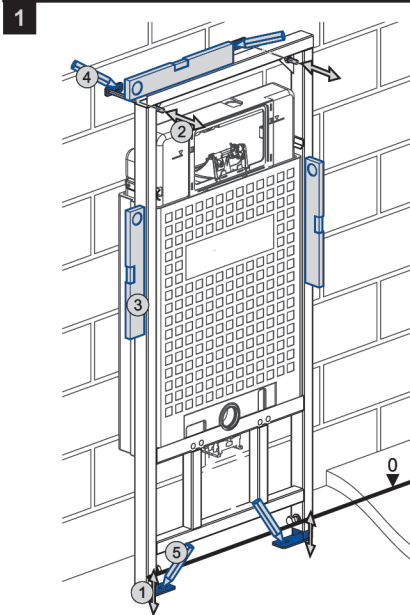
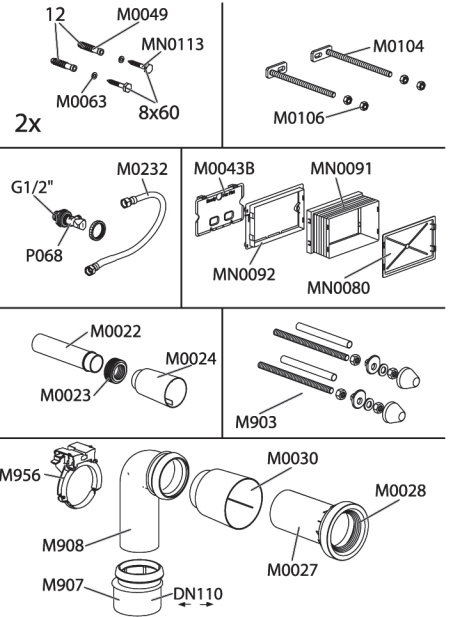
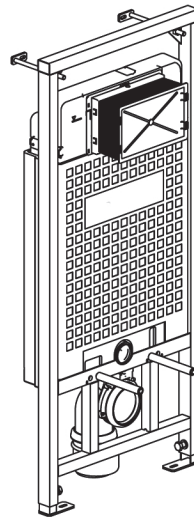
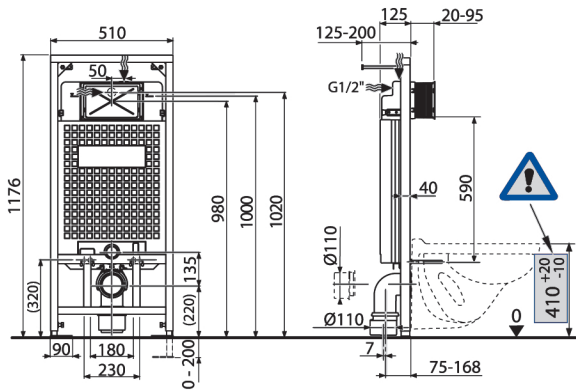
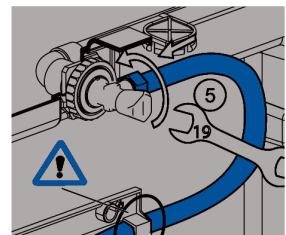
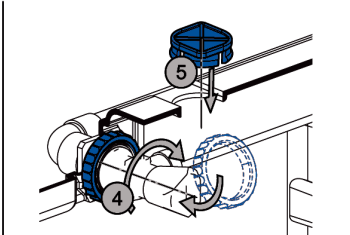
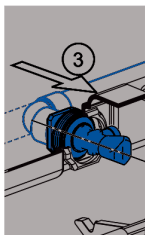
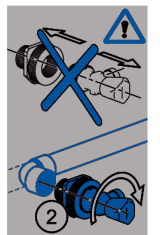
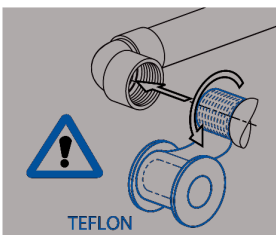
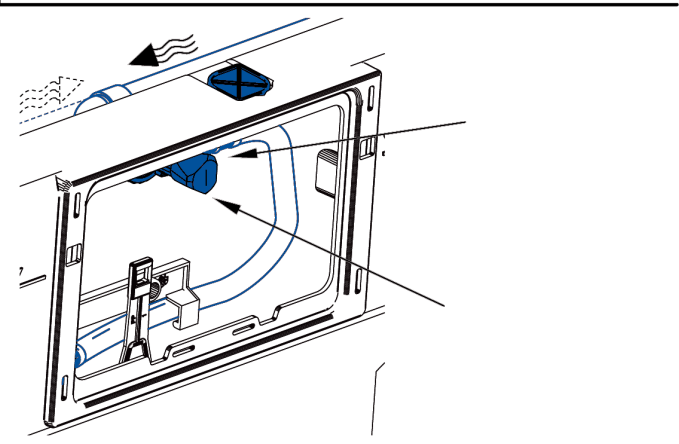
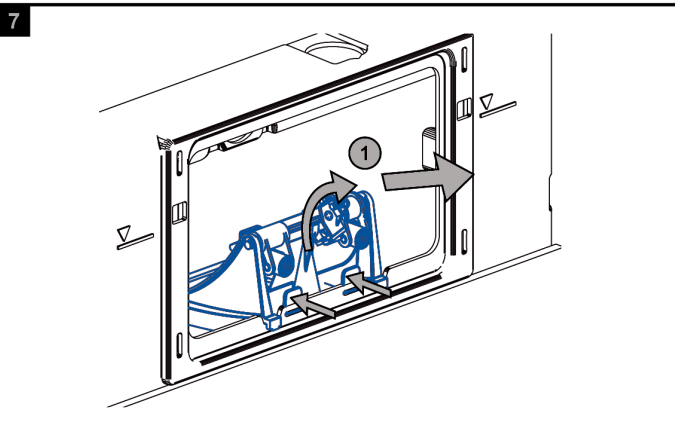
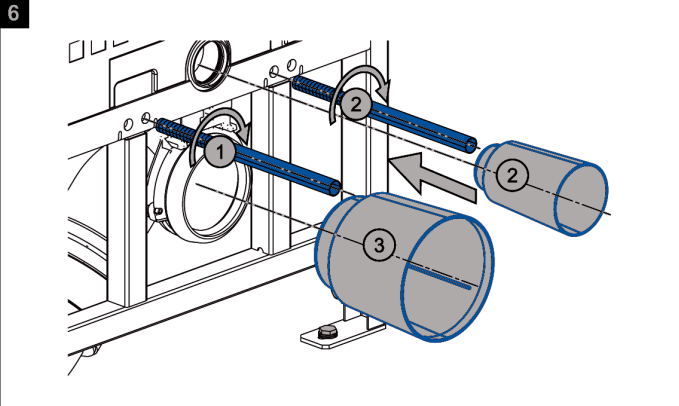
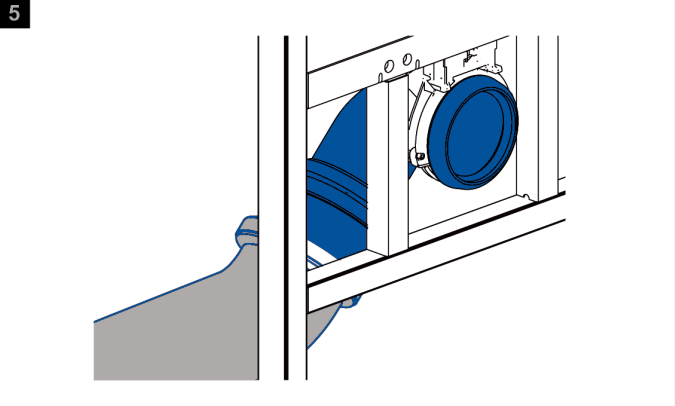
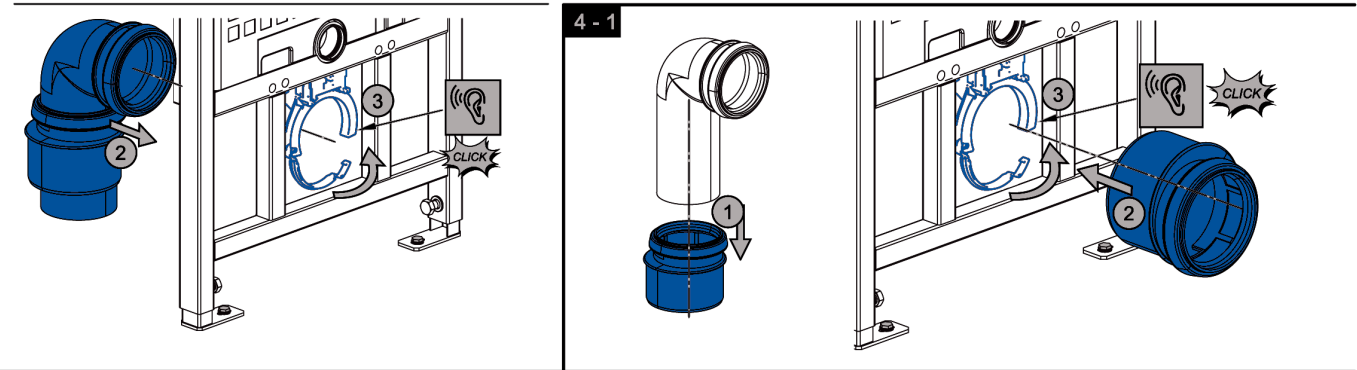
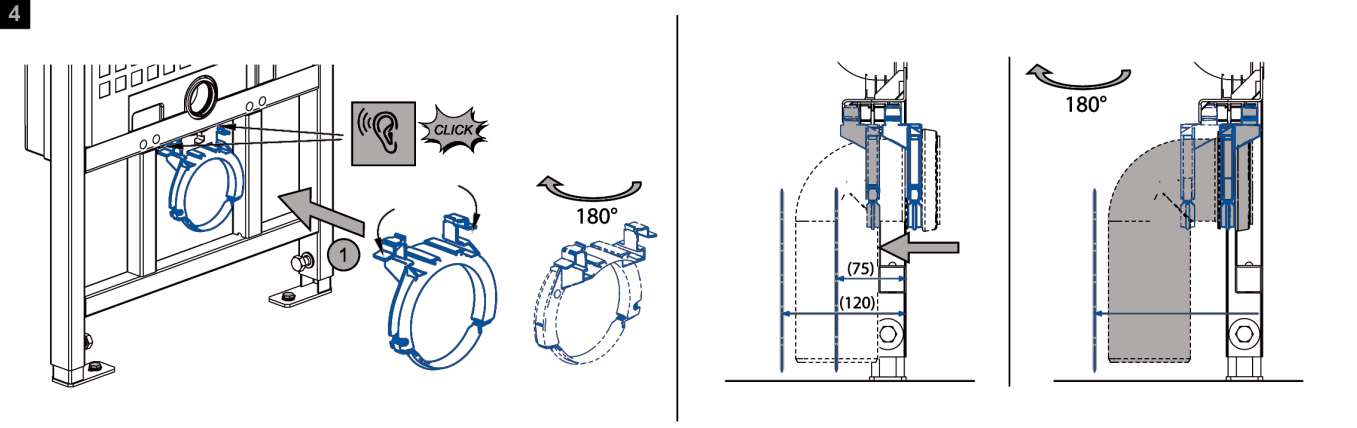


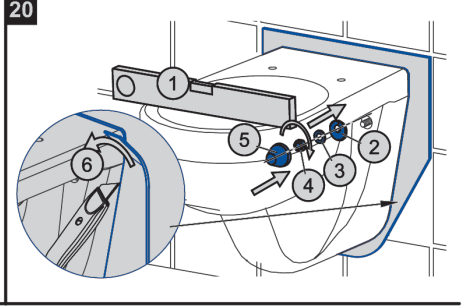
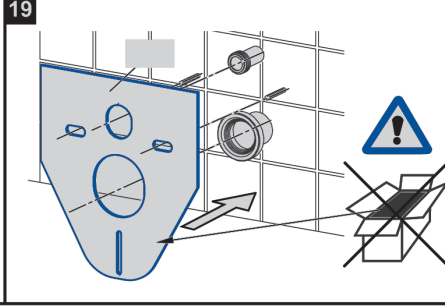
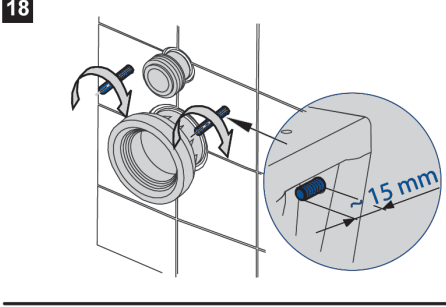
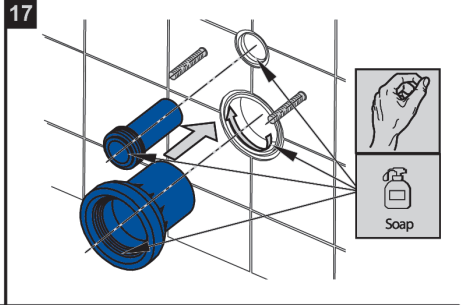
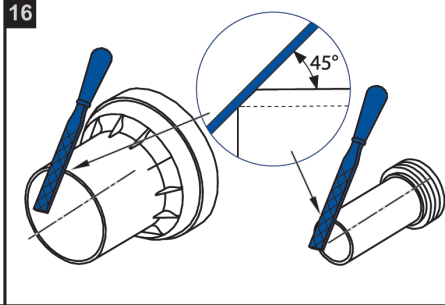
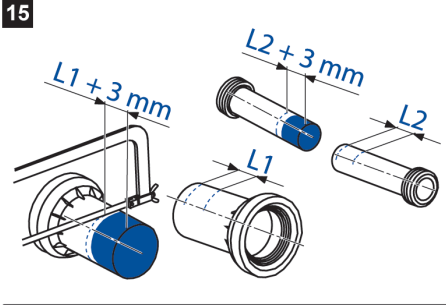
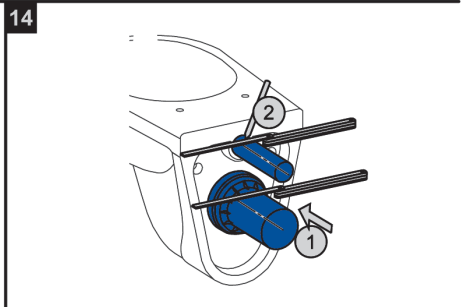
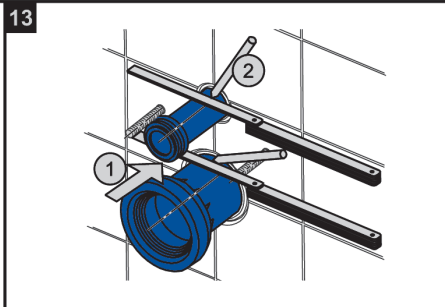
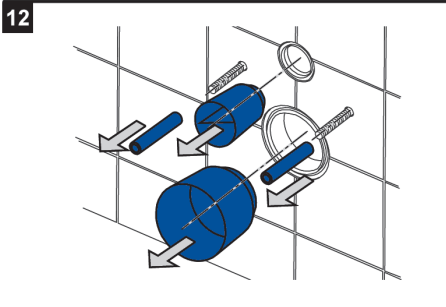
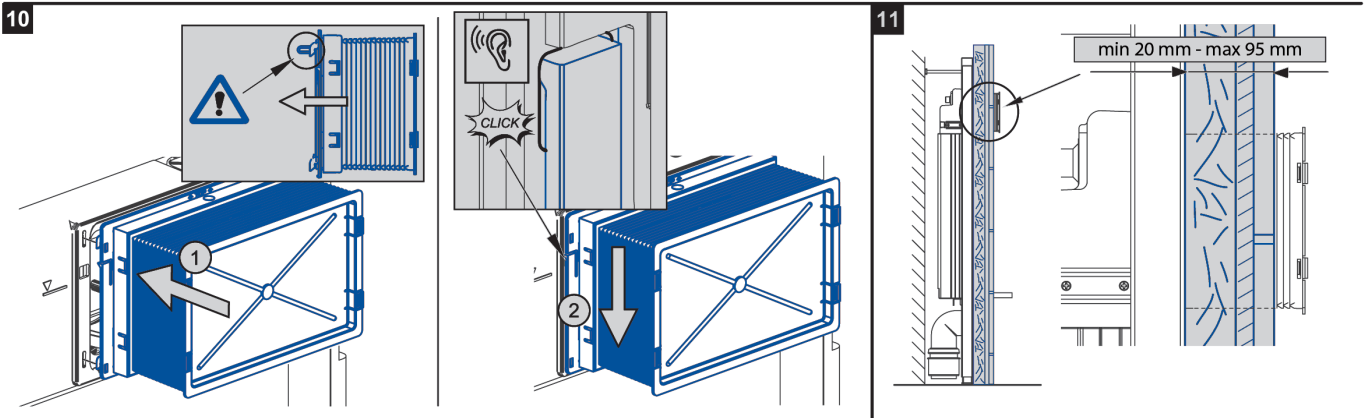
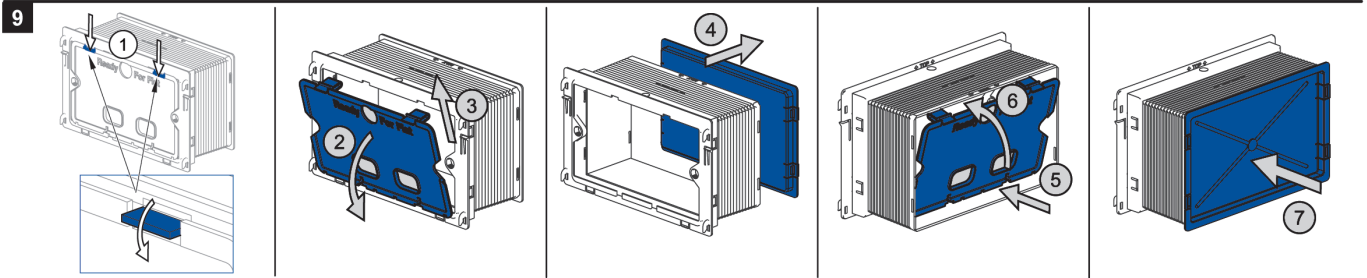
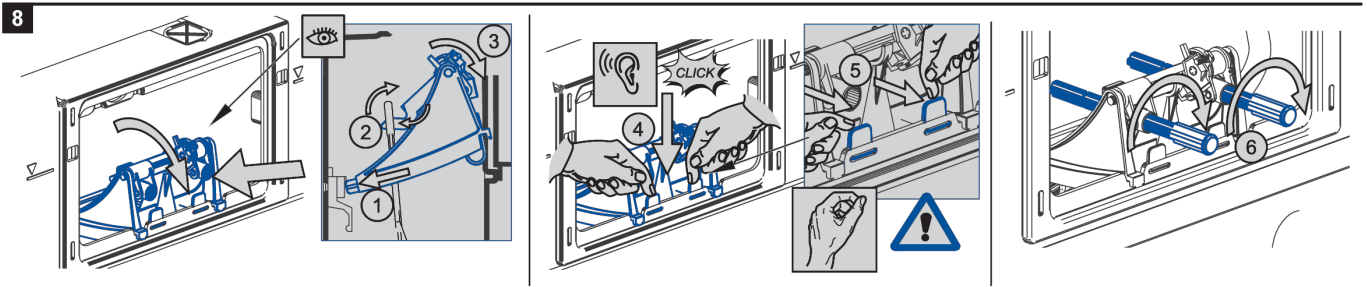


# MANUAL INSTRUCTION

[ mm ]

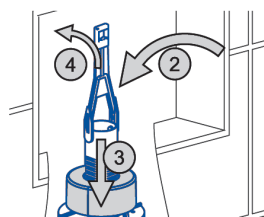
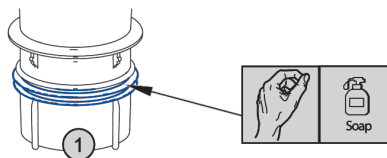
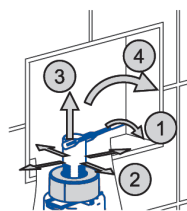
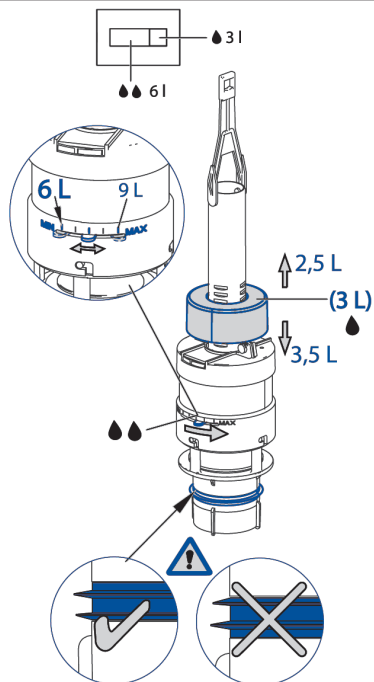








A06



A16P-3/8"

