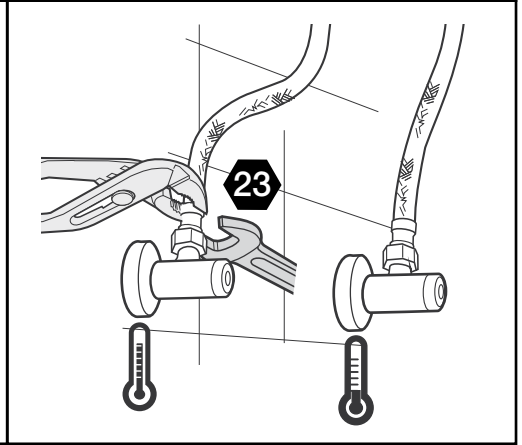
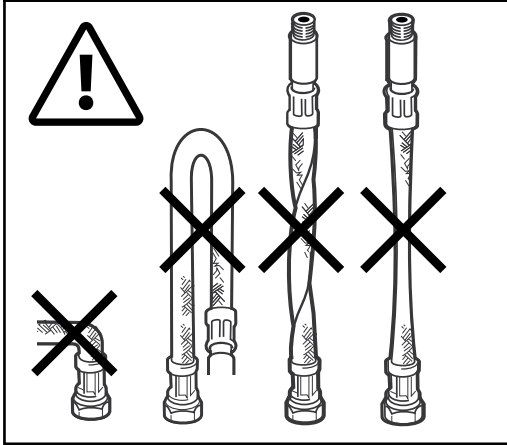
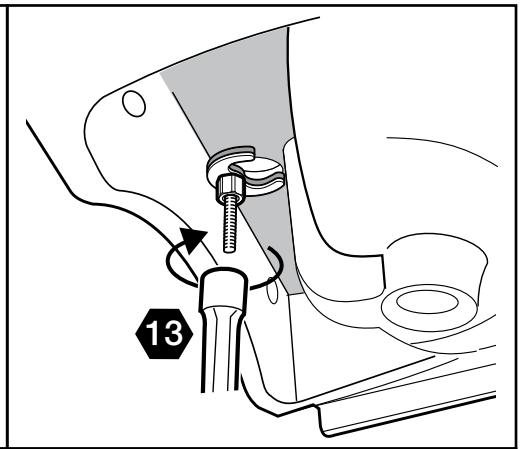
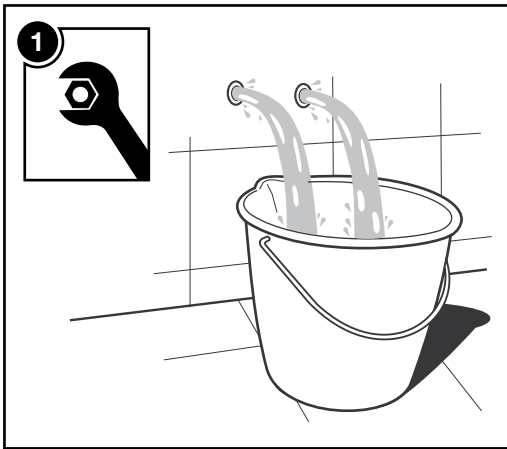








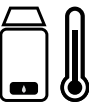



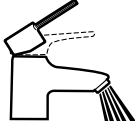

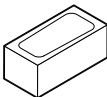



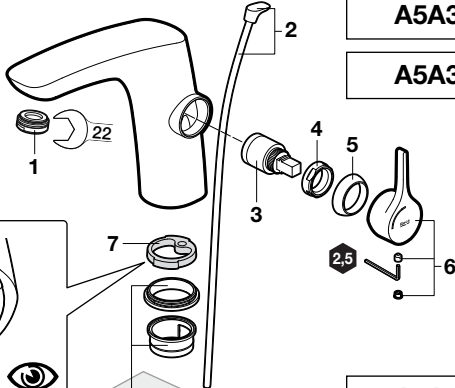
Roca

INSIGNIA





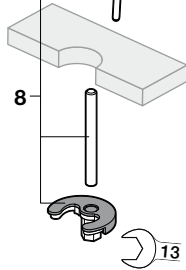
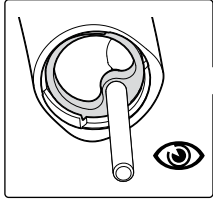
 P 	P bar	 MAX 10	
 P 	P bar	MIN 1  5 MAX	 2 3 
 T	°C	 -80 MAX.	 -65 -50 
 Q (1,5 - 5 bar)	l/min	 4-6	 22  12



A5A323A

A5A3B3A

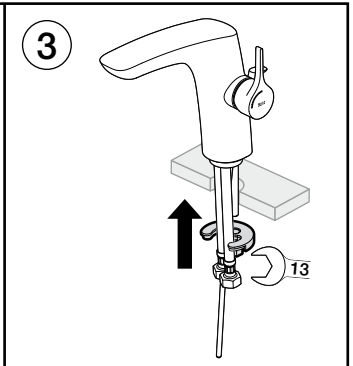
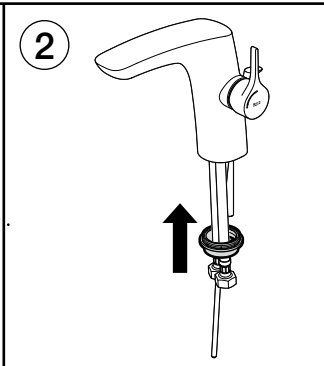
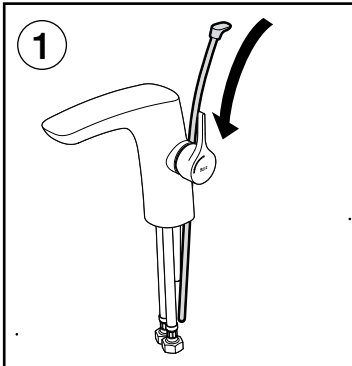
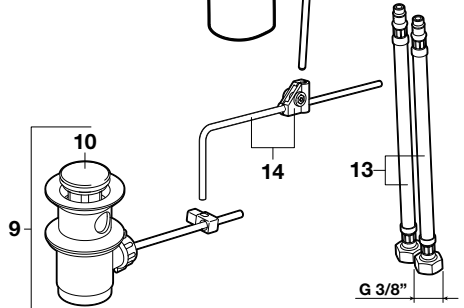
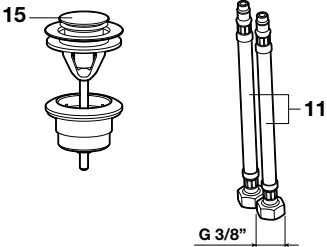
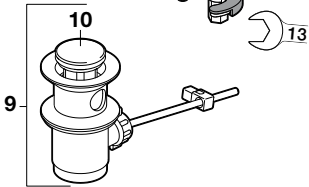
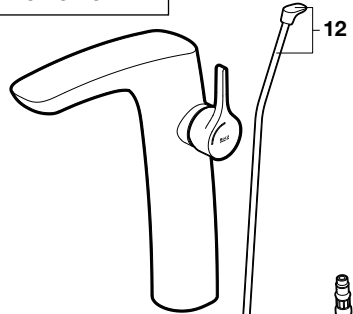
A5A333A



A5A343A

A5A3C3A

A5A3A3A

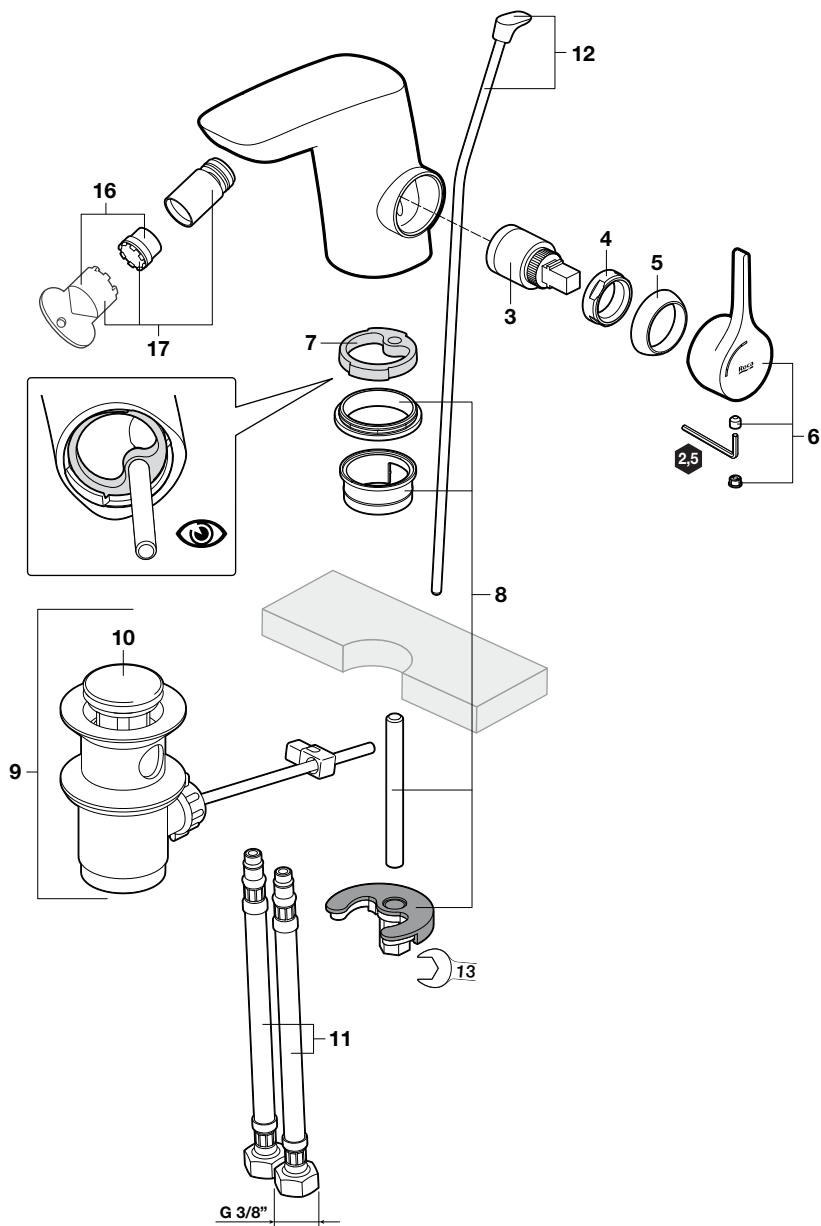


3



A5A603A

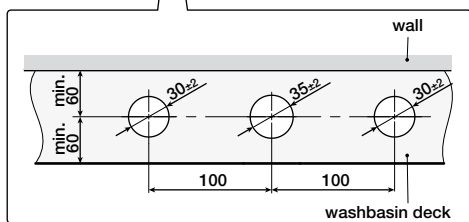
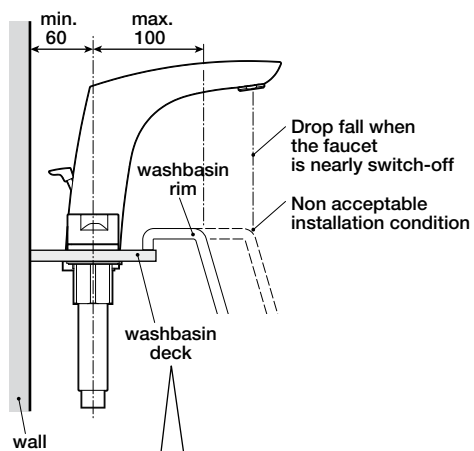
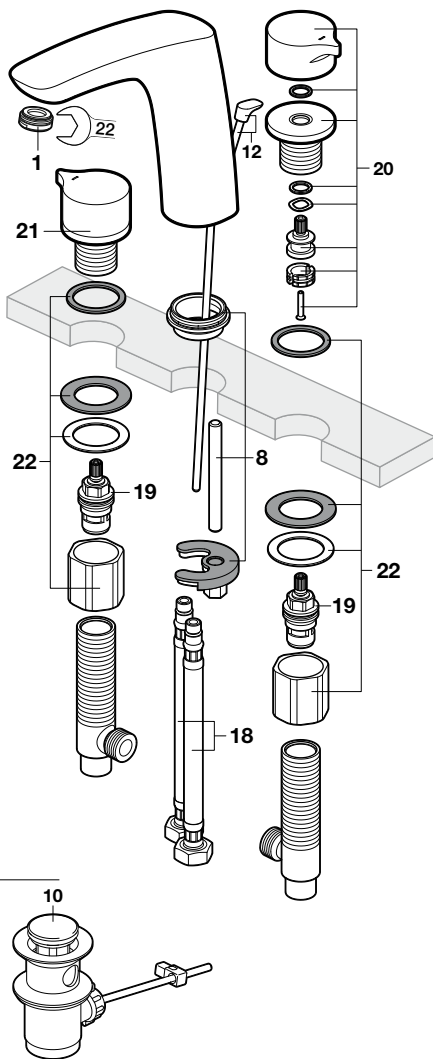
A5A6A3A



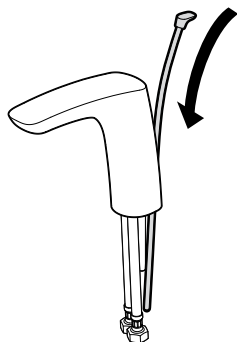
4



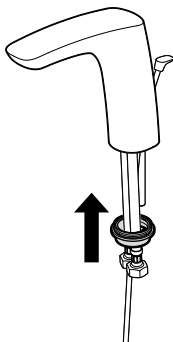
A5A443A



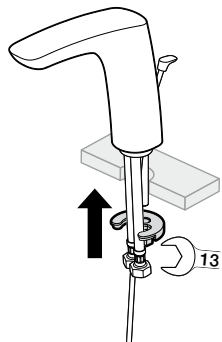
1

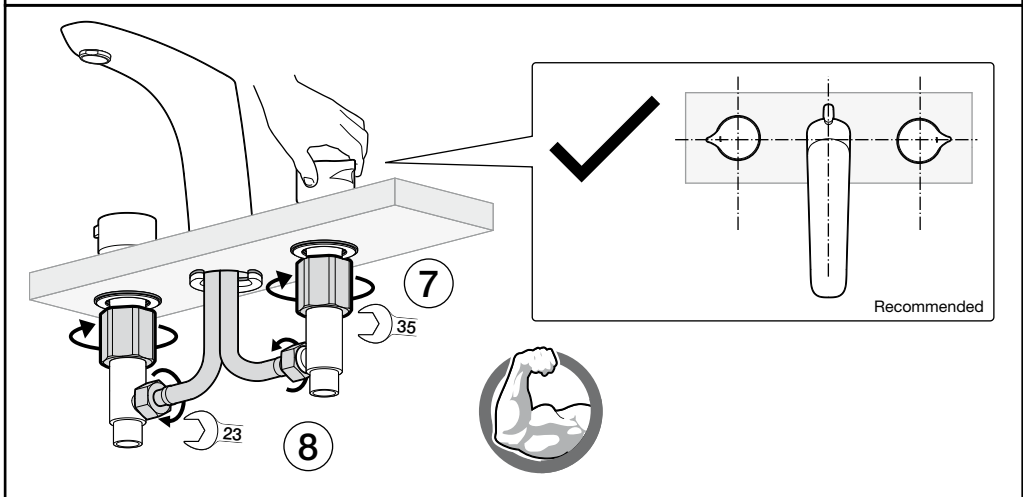
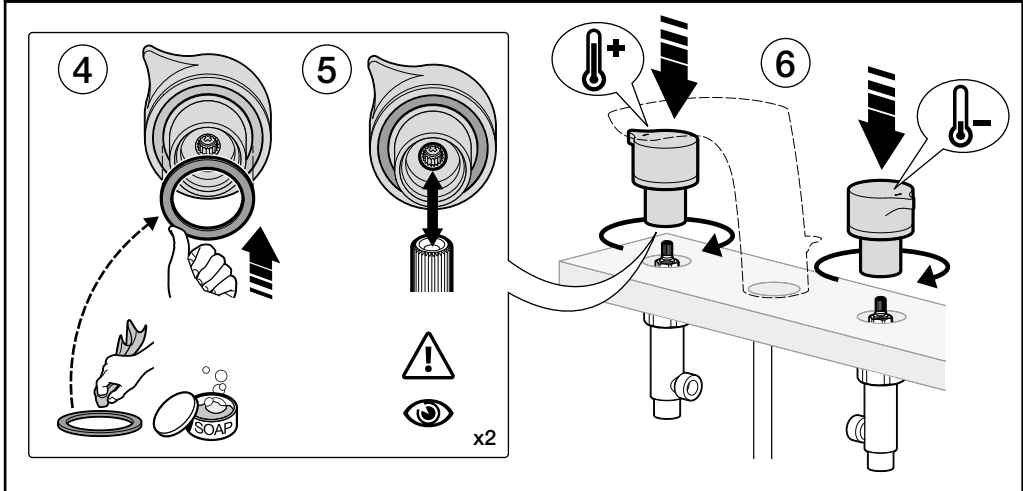
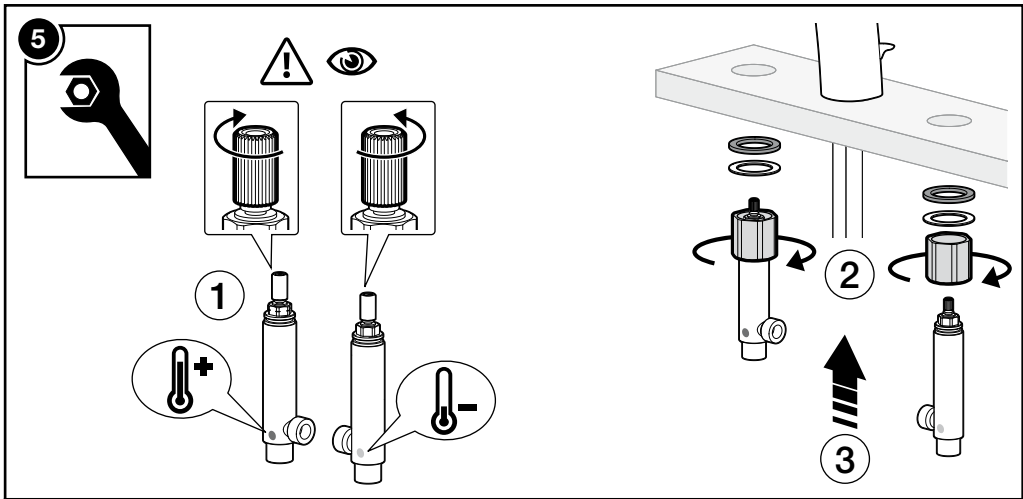


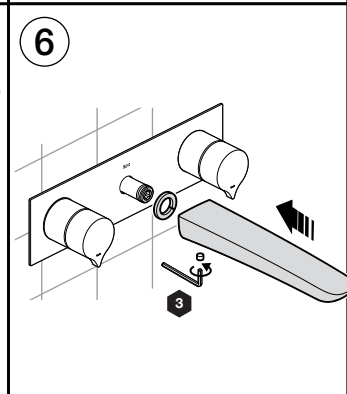
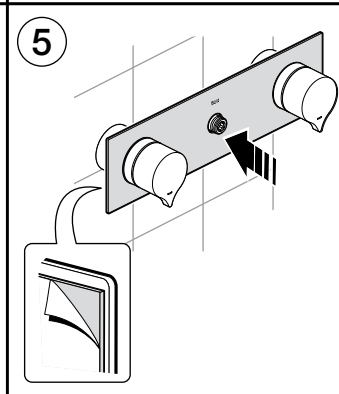
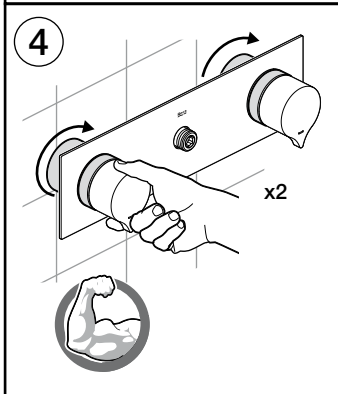
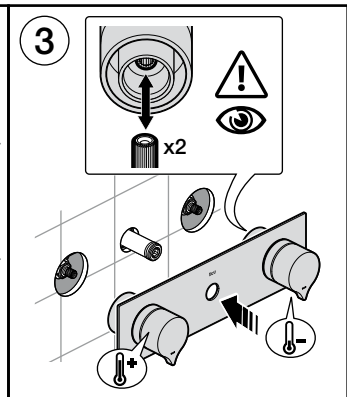
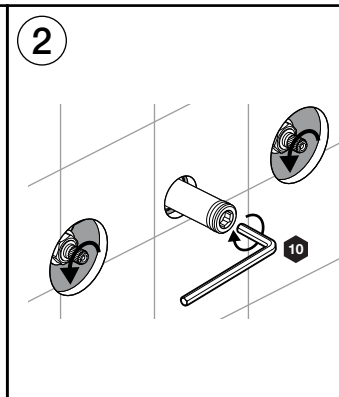
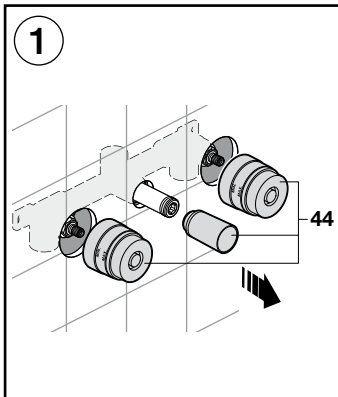
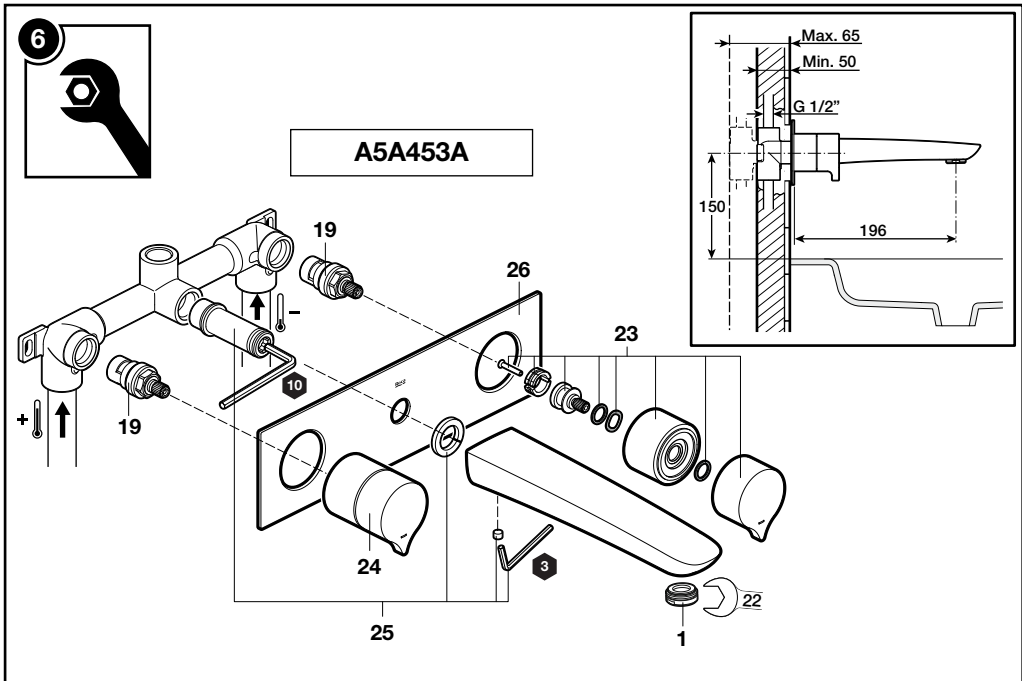
2

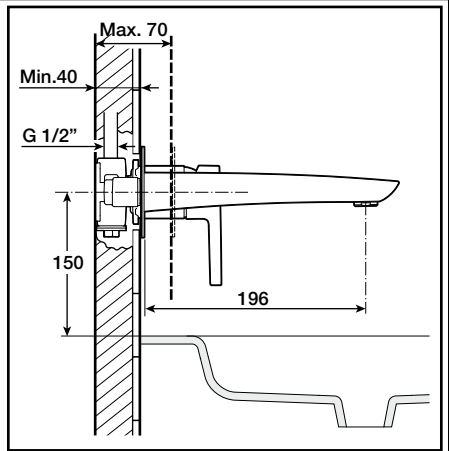


3





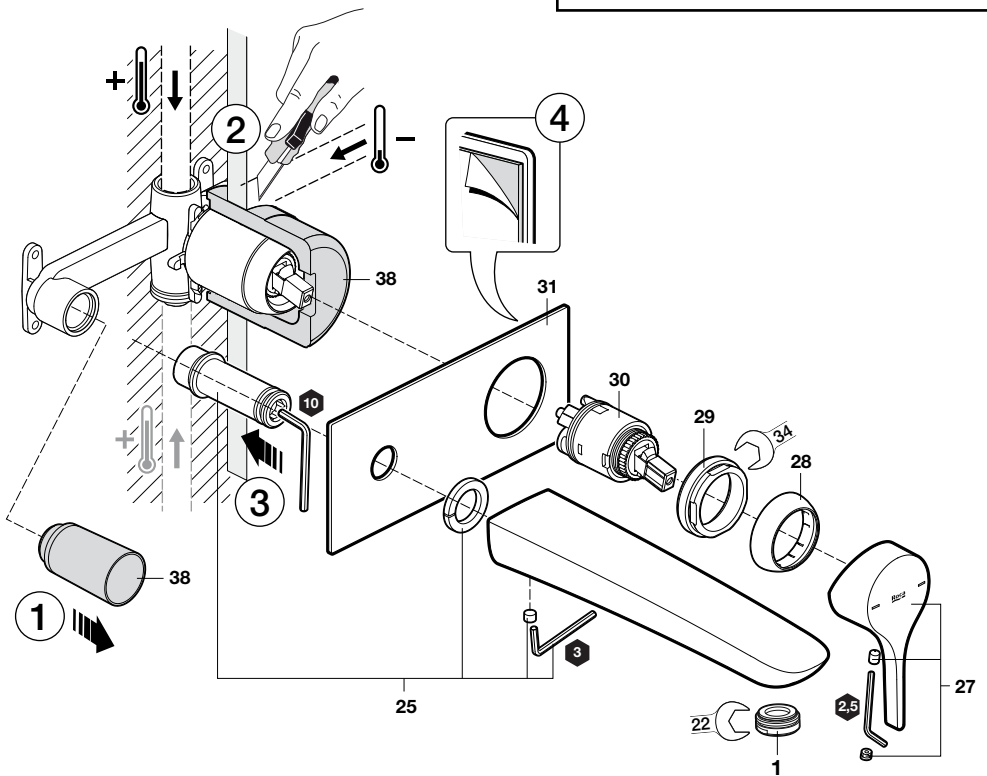




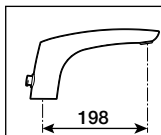
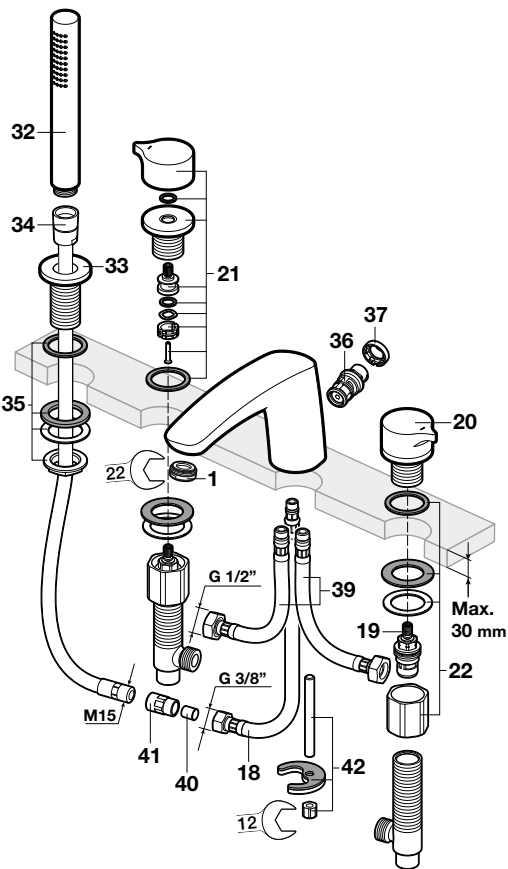
A5A353A



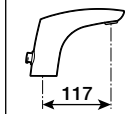
A5252206



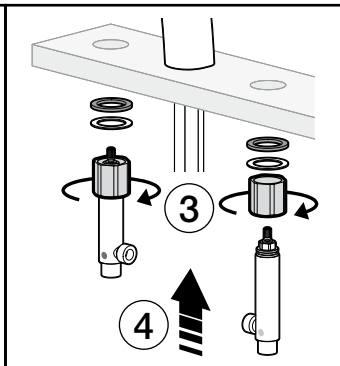
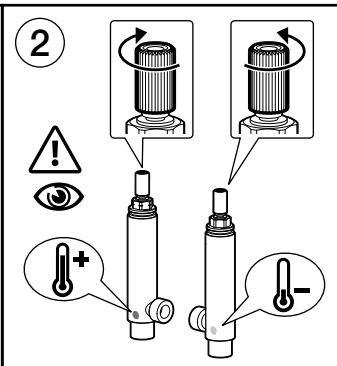
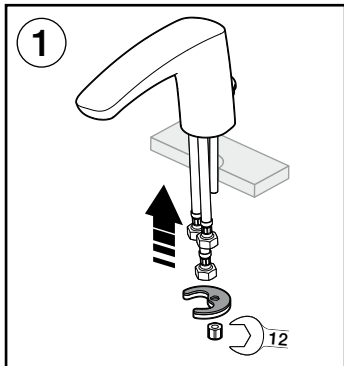
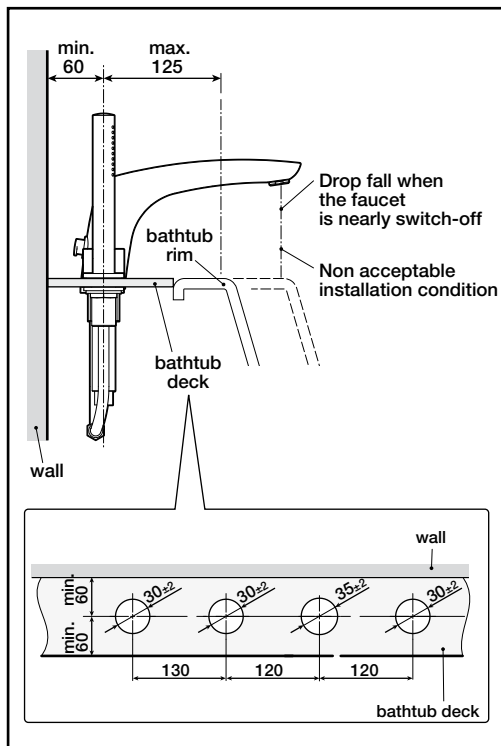
8

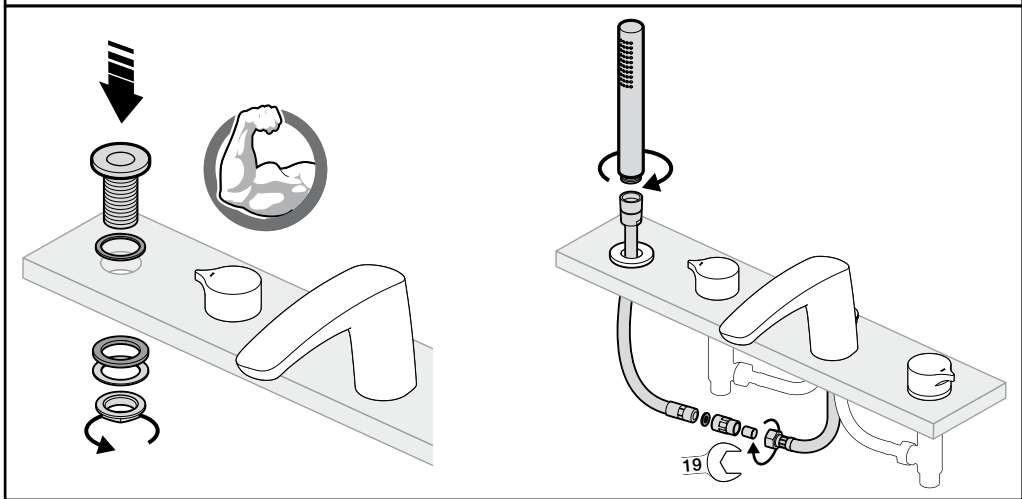
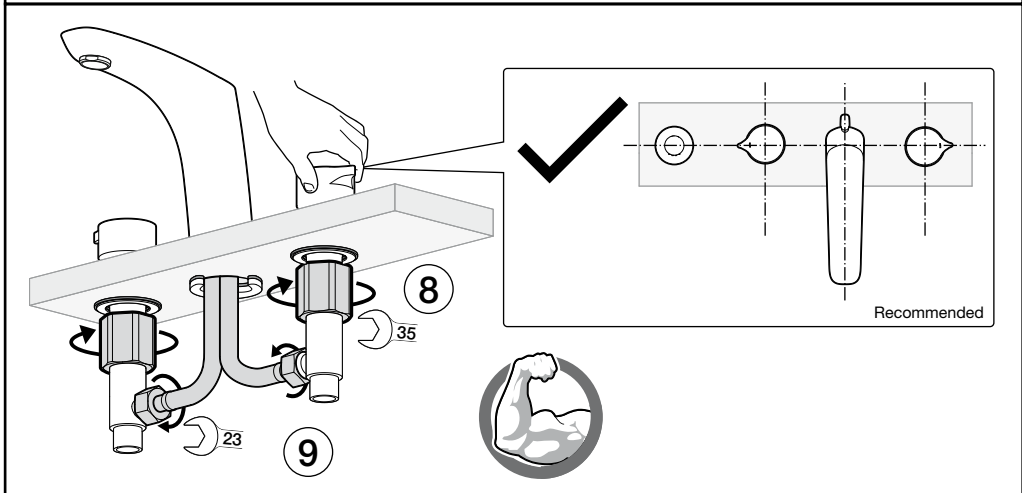
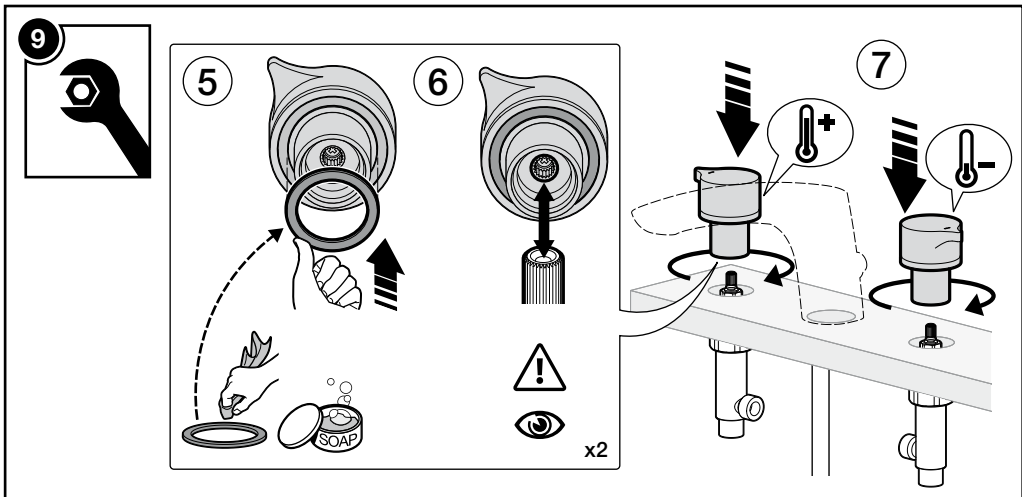


A5A093A



A5A183A

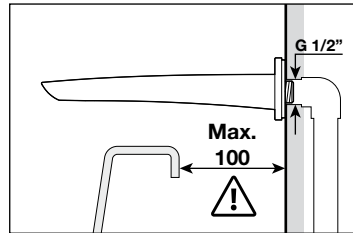
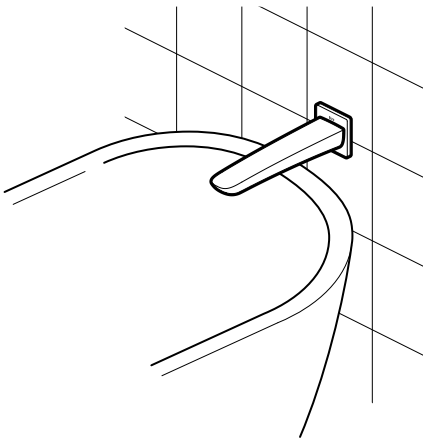
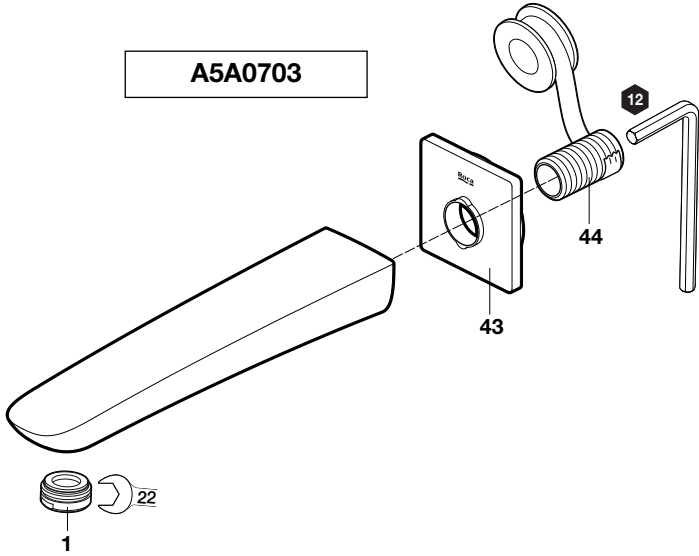




10



A5A0703





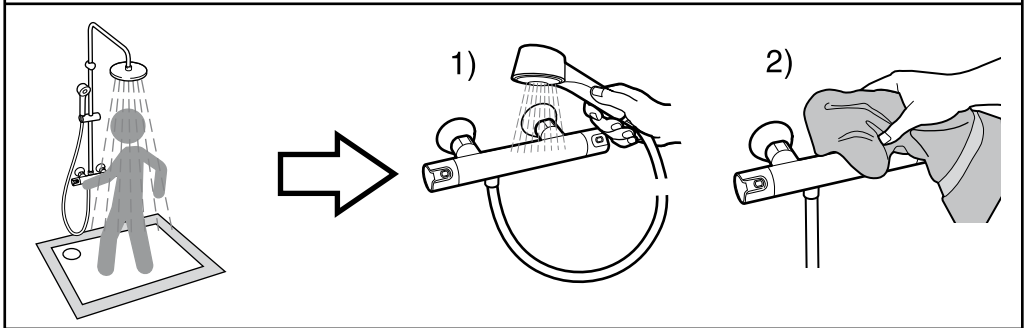
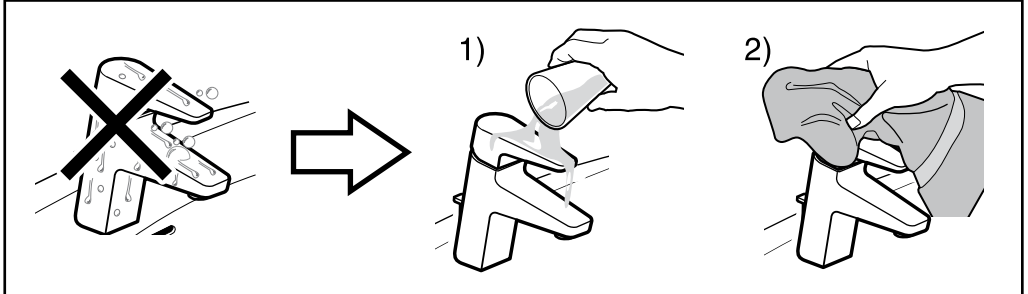
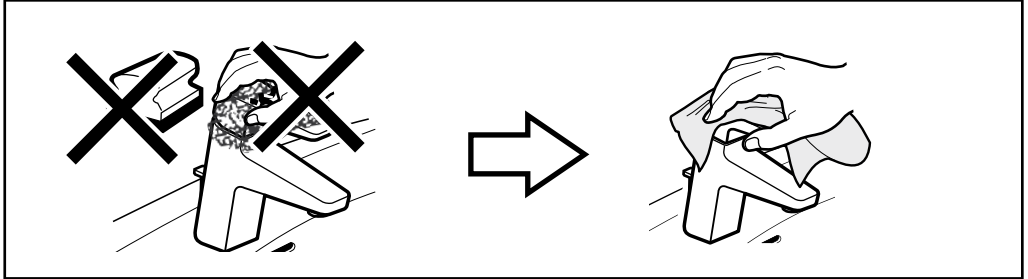
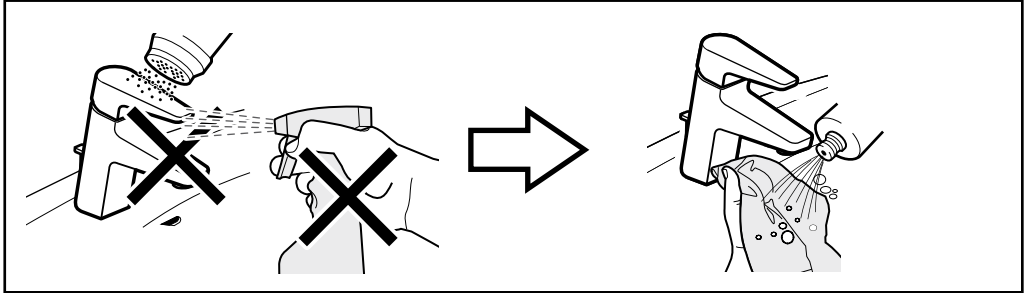
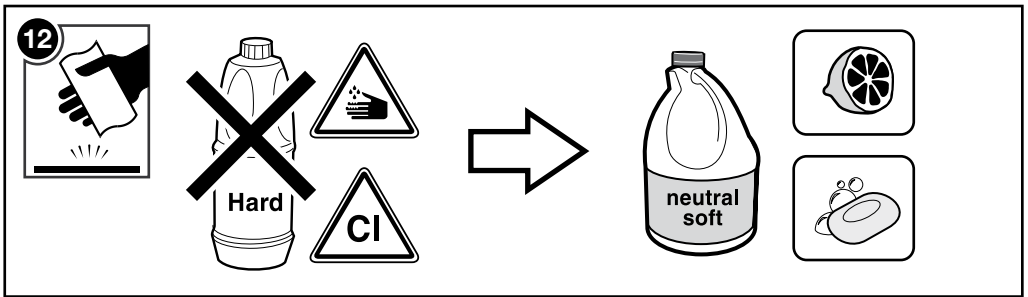
1 - AG01964..R	16 - AG0122107R	30 - A525022907
2 - AG0152800R	17 - AG01966CNR	31 - AG01372..R
3 - AG0152900R	- A525003507	32 - A5B9B61..0
4 - AG0153000R	18 - A525020309	33 - AG0154400R
5 - AG01531..R	19 - AG0153400R	34 - AB0030900R
6 - AG01532..R	20 - AG0153500R	35 - AG0048303R
7 - AG0156100R	21 - AG0153600R	36 - A525023600
8 - AG0136603R	22 - AG0048703R	37 - A525024200
9 - AG00753..R	23 - AG0153700R	38 - AG0001907R
10 - AG00962..R	24 - AG0153800R	39 - AG0165000R
11 - AG0118308R	25 - AG0155000R	40 - AG0021407R
12 - AG0153300R	26 - AG0154100R	41 - AG0154500R
13 - AG0156200R	27 - AG01542..R	42 - A525006903
14 - AG0033300R	28 - AG00853..R	43 - AG01546..R
15 - A5054009..	29 - AG0142100R	44 - AG0145800R

Sustituir (..) de la referencia del recambio por el código del acabado elegido:

In the spare part number replace (..) with the code for the chosen finish:

00 Cromado / Chromed

CN Shiny Black





Roca Sanitario, S.A.
Avda. Diagonal, 513
08029 Barcelona
SPAIN
www.roca.com

933 LÍNEA DE ATENCIÓN
661 AL CONSUMIDOR
266 ESPAÑA 
SERVICIO TÉCNICO
ESPAÑA 



productsupport.rs@roca.net
soporteproducto.rs@roca.net

A553094007k