

Toilet seat Subway Compact

Model

9966 S1 Subway Compact toilet seat with Soft Closing and Quick Release, incl. 9220 56 61 universal top mounted toggle hinge with Quick Release

9966 Q1 Subway Compact toilet seat with Quick Release, incl. 9220 56 61 universal top mounted toggle hinge with Quick Release

Product Description

Subway Compact toilet seat in Wrap Over design made of colour ingrained duroplast with hinge in stainless steel and plastic

- incl. universal top mounted toggle hinge with Quick Release in stainless steel
- centre distance: 135-215 mm
- load of ring seat: 240 kg
- 10 year guarantee

Colour Programme

01 White (Alpin)
09 Pergamon
R2 Star White
R5 Manhattan
S3 Edelweiss

Hinge Finish

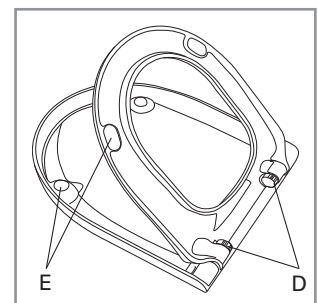
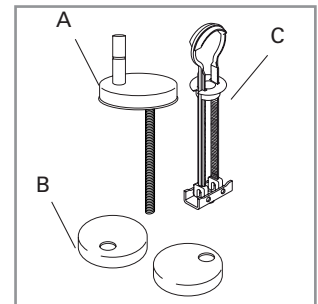
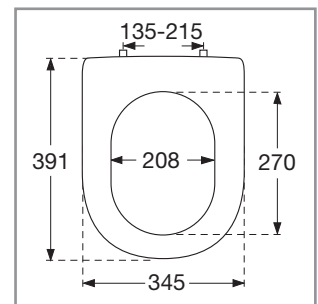
61 Stainless steel

Spare Parts

A) 9220 56 61 Universal top mounted toggle hinge with Quick Release
B) 9222 05 00 Spare parts cover caps for universal toggle hinge
C) 9218 96 00 Spare part for toggle hinge
D) 9220 19 00/9220 24 00 Soft Closing/Quick Release packet
E) 9220 81 00 Buffers for seat and cover

Cleaning Instructions

Use a mild soap solution. Seat and hinge should not be left damp, but be dried with a soft cloth. When using abrasive, corrosive or chlorine based cleaners for the bowl, avoid contact with seat and hinge as it may lead to damages or flash rust. Therefore, when cleaning the bowl, make sure that seat and cover are in an upright position until all the cleaner has been flushed away



Villeroy & Boch

1748

Toilet seat Subway Compact

Instruction manual

9220 56 61



04/05

[Click here for video](#)

Material Description

TOILET SEAT: The material is colour ingrained duroplast (UF A 10 = urea formaldehyde) that contains no environmentally hazardous substances. The body consists of approx. 50% urea (NH_2CONH_2), approx. 25% cellulose and approx. 25% formaldehyde (HCHO), as well as small amounts of various fillers and additives.

BUFFERS: EVA (copolymer made of ethylene and vinyl acetate).

DAMPER KIT: Hydraulic damper with stainless steel damper casing and plastic parts.
Damper liquid: Anti-friction liquid.

MOUNT/HINGE: Stainless steel.

Guarantee

The guarantee includes faults or defects in the material of our products within a period of 10 years. Products subject to minor technical modifications and design deviations E. & O.E.