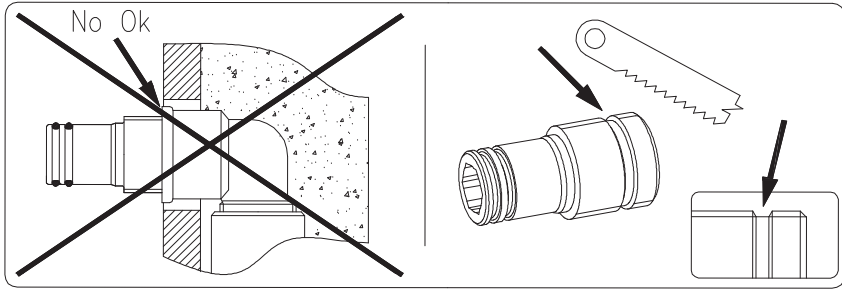
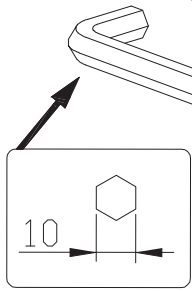
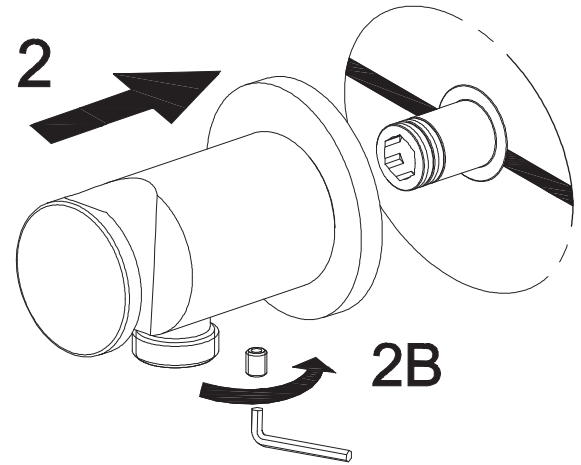
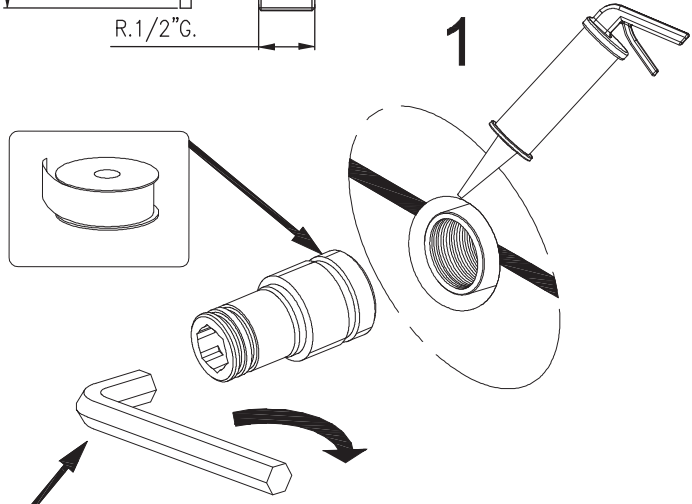
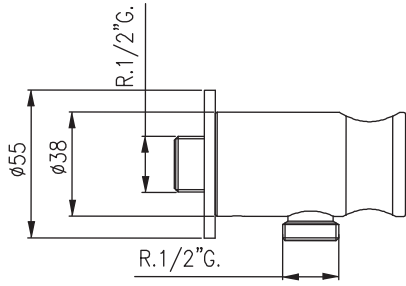


TRES



Ref. 1734182010C
ed. 10-2011