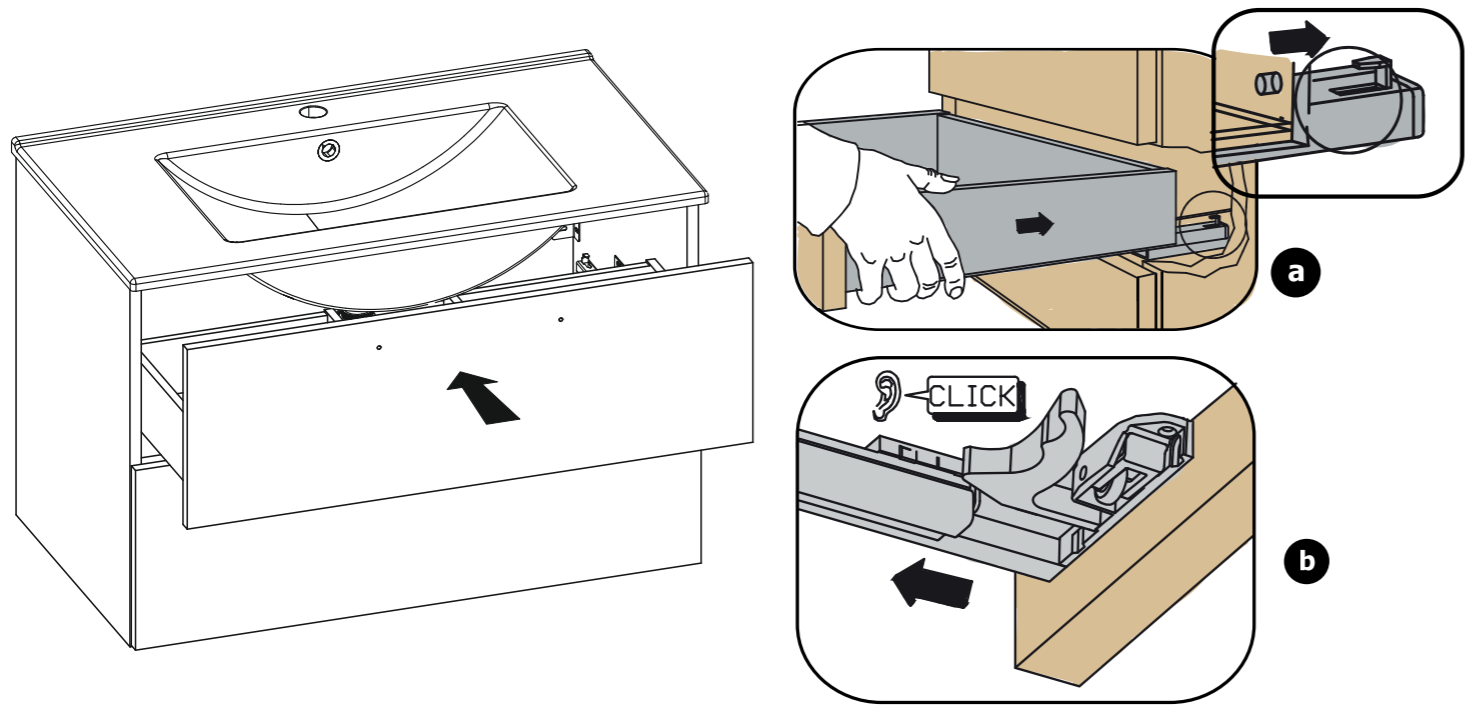
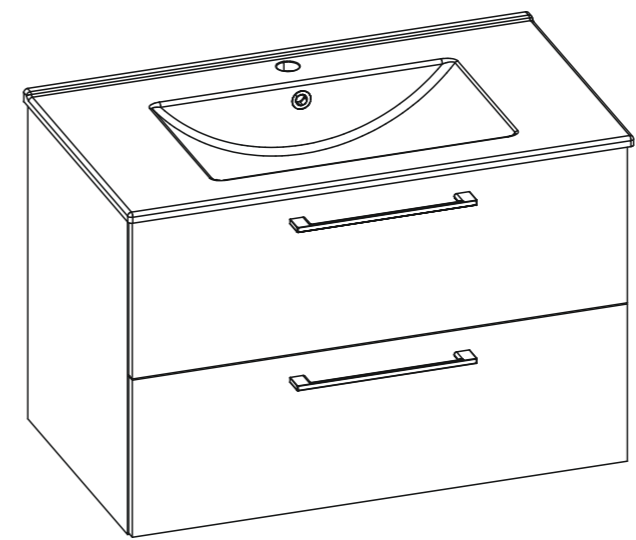


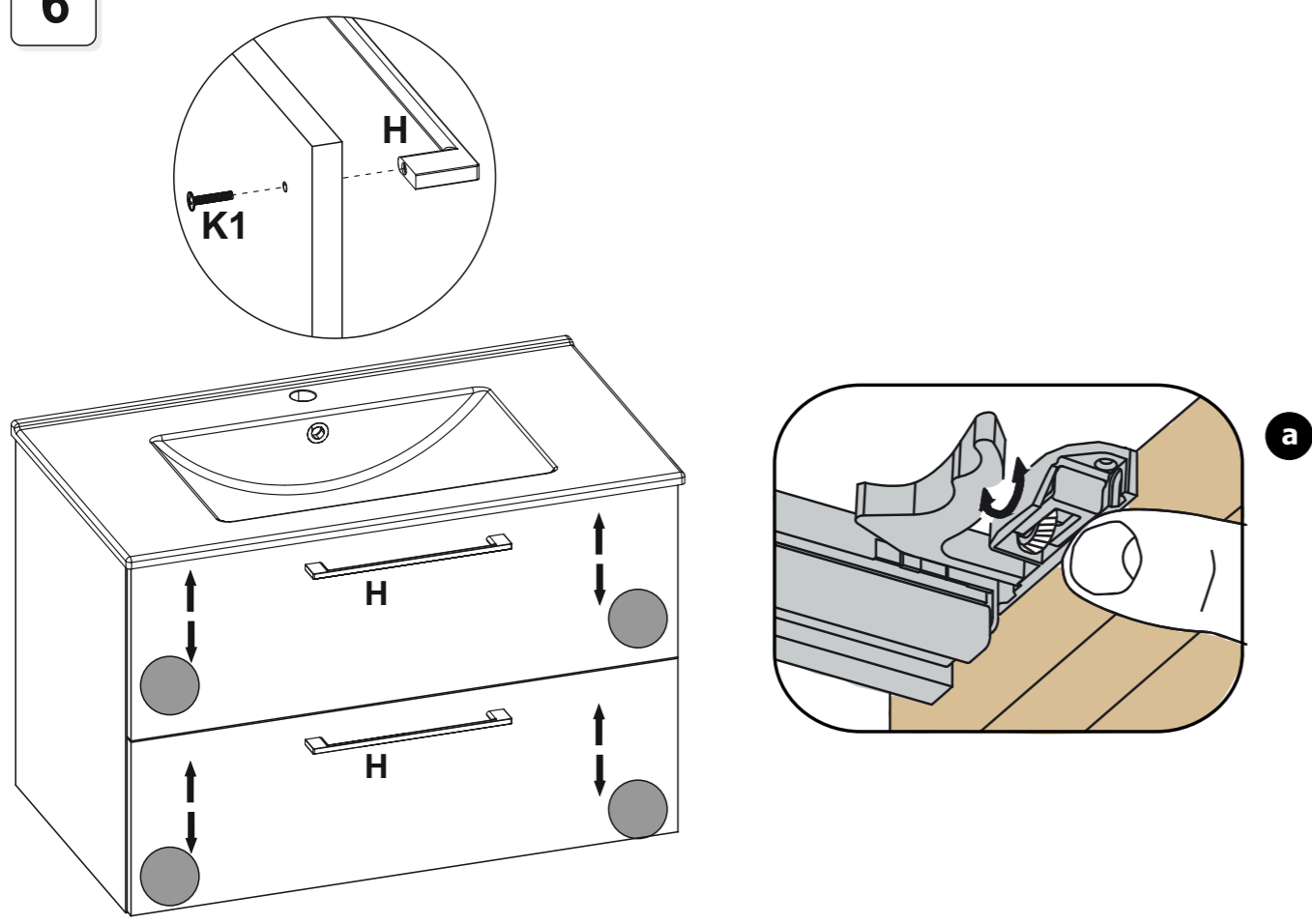
5



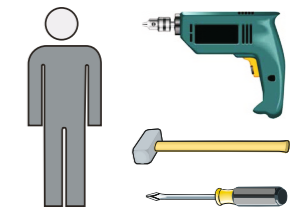
60/80/100 2DR



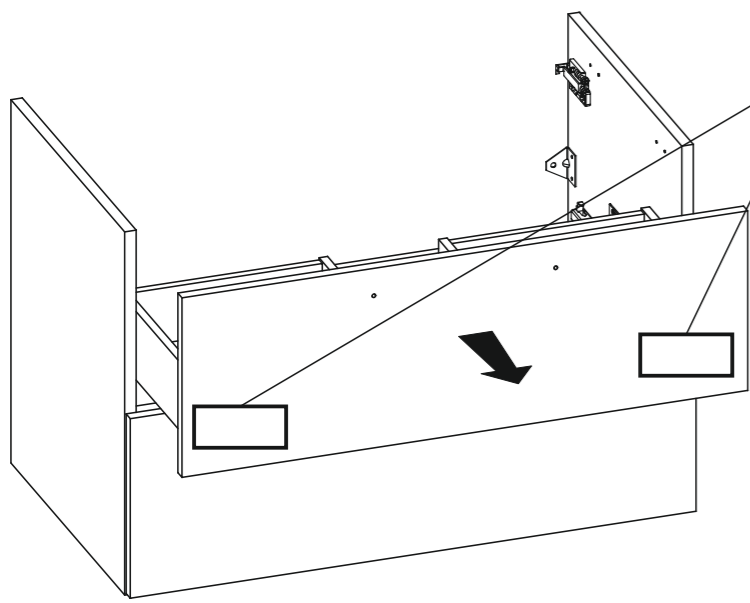
6



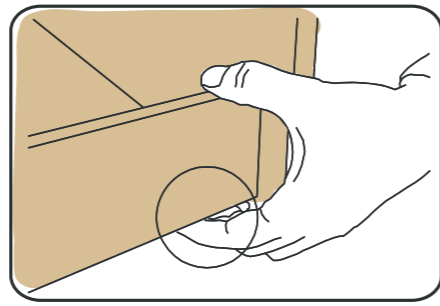
<b>P11</b>  x 2	<b>R1</b>  x 4	<b>K1</b>  M4x22 x 4
<b>H</b>		
 x 2		



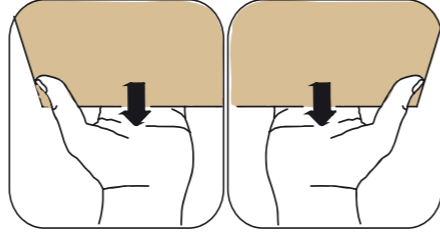
1



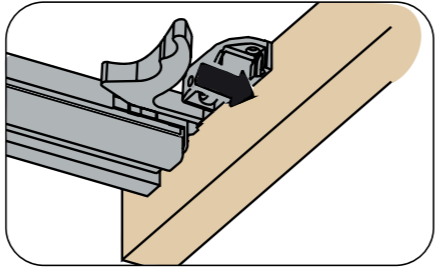
a



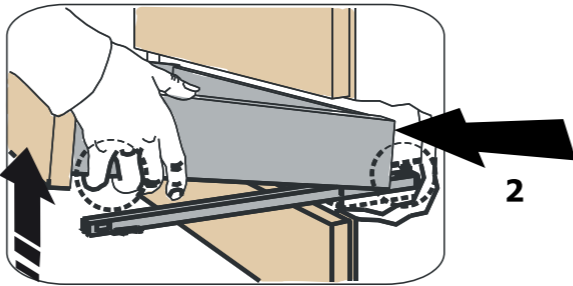
b



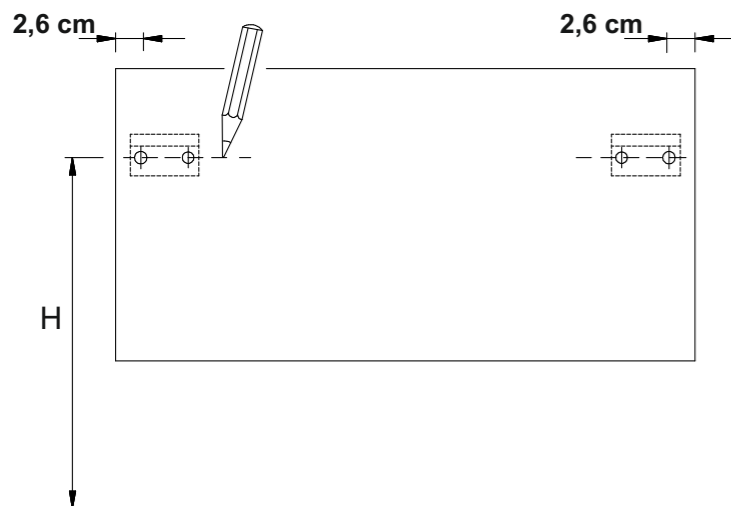
c



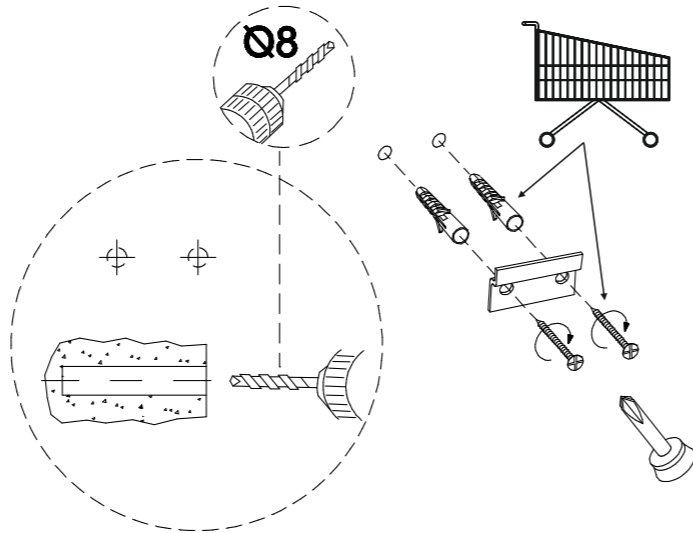
d



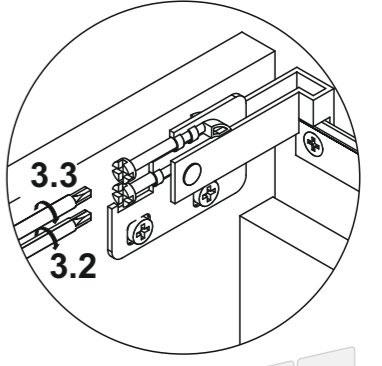
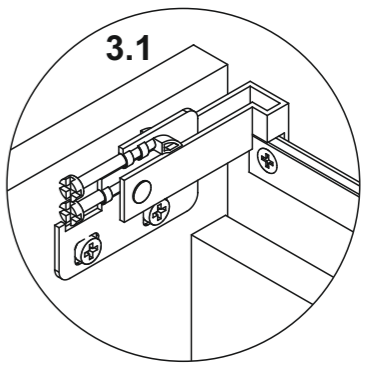
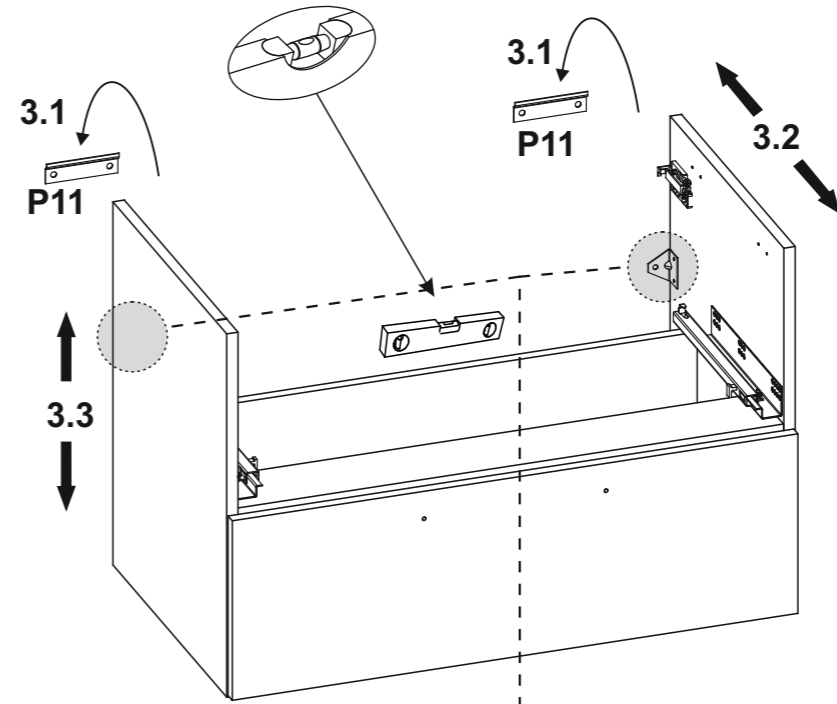
2



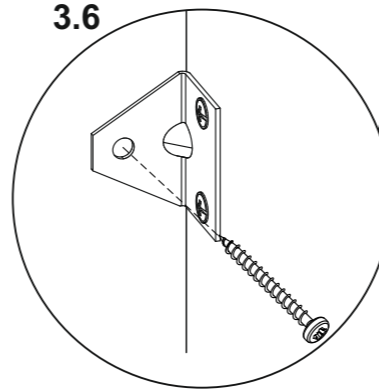
Ø8



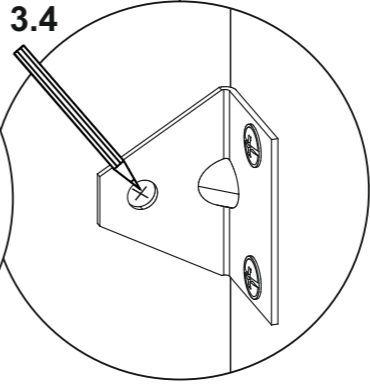
3



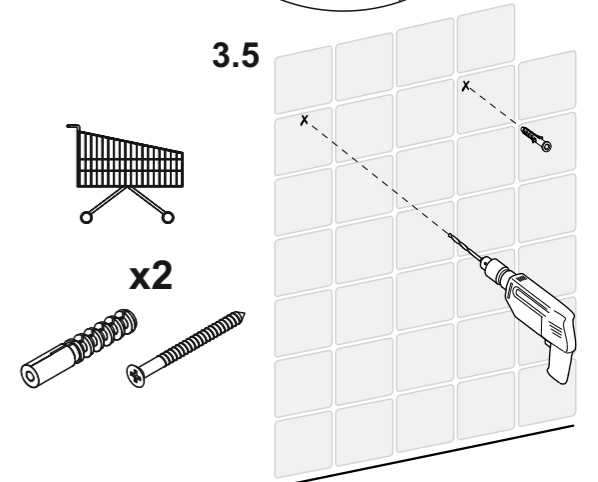
3.6



3.4



3.5



4

