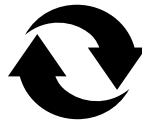
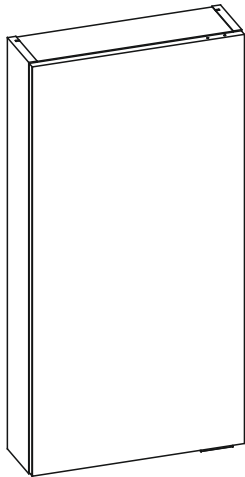
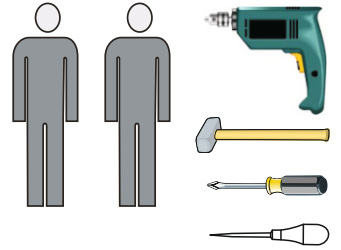
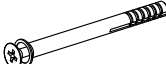


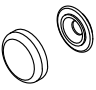
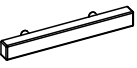
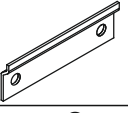
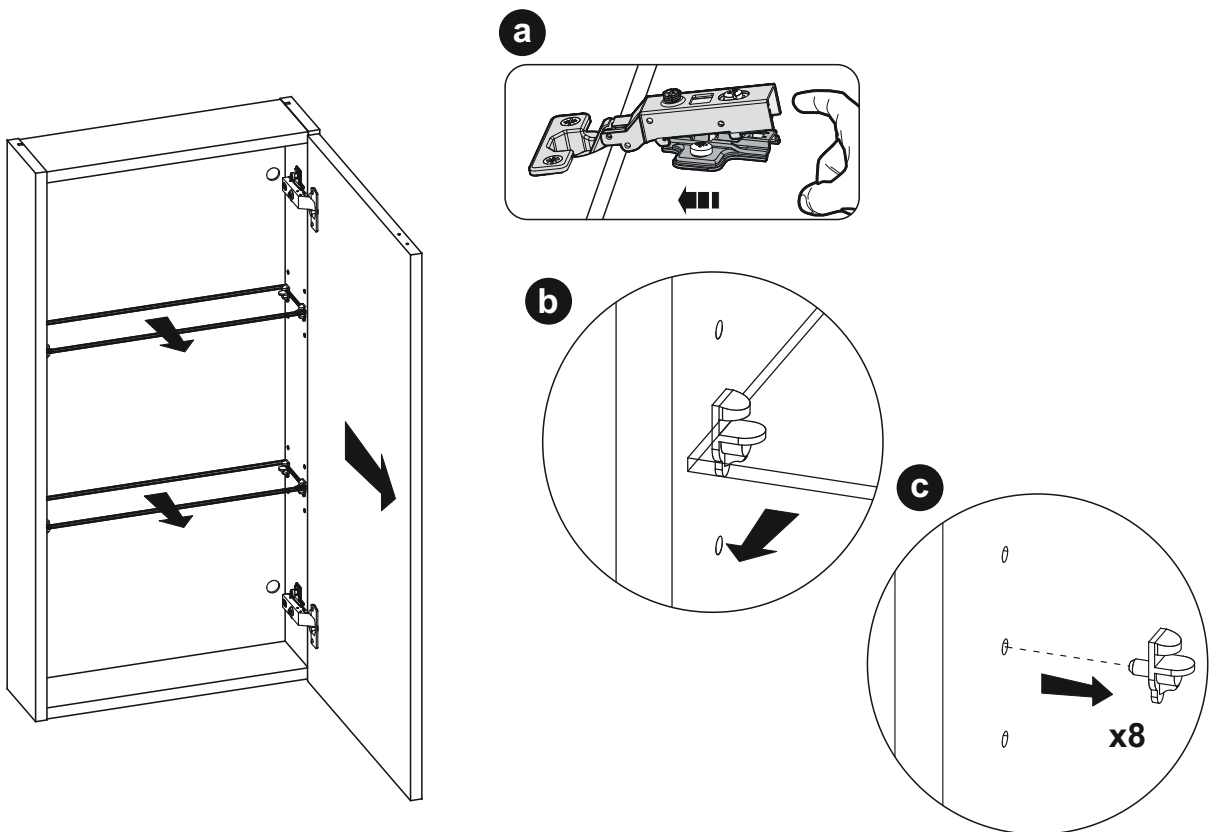


40 1D

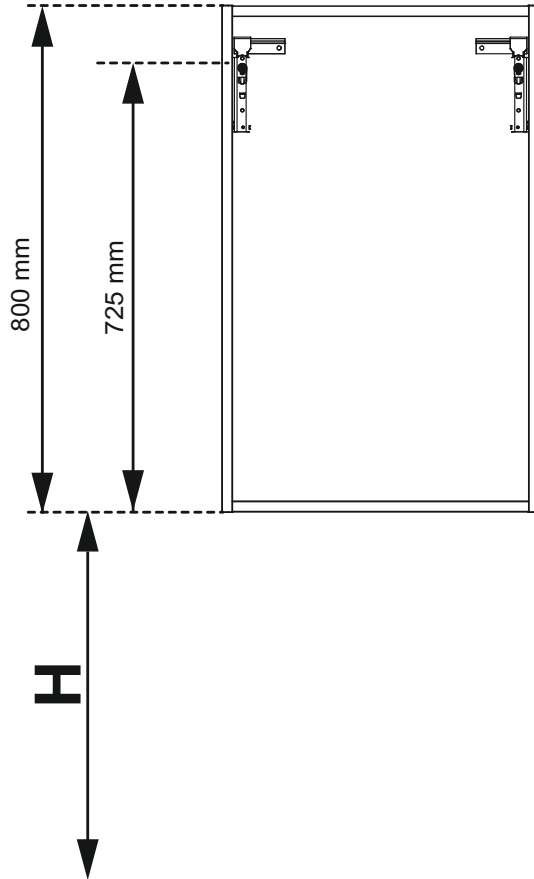


G71  x 1	P2  x 4 <small>∅ 18</small>	P0  x 20
G72  x 1	H  x 1	P11  x 2

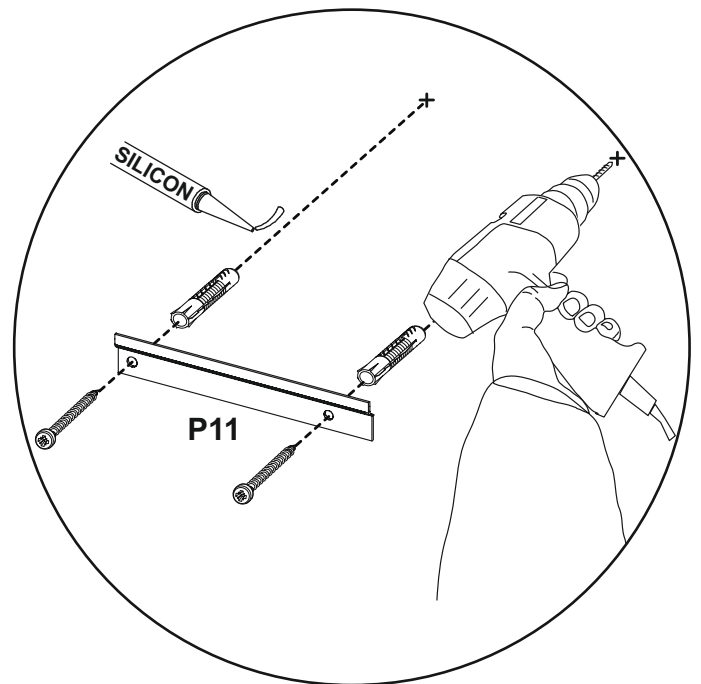
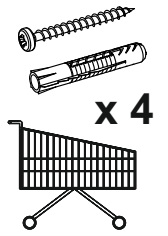
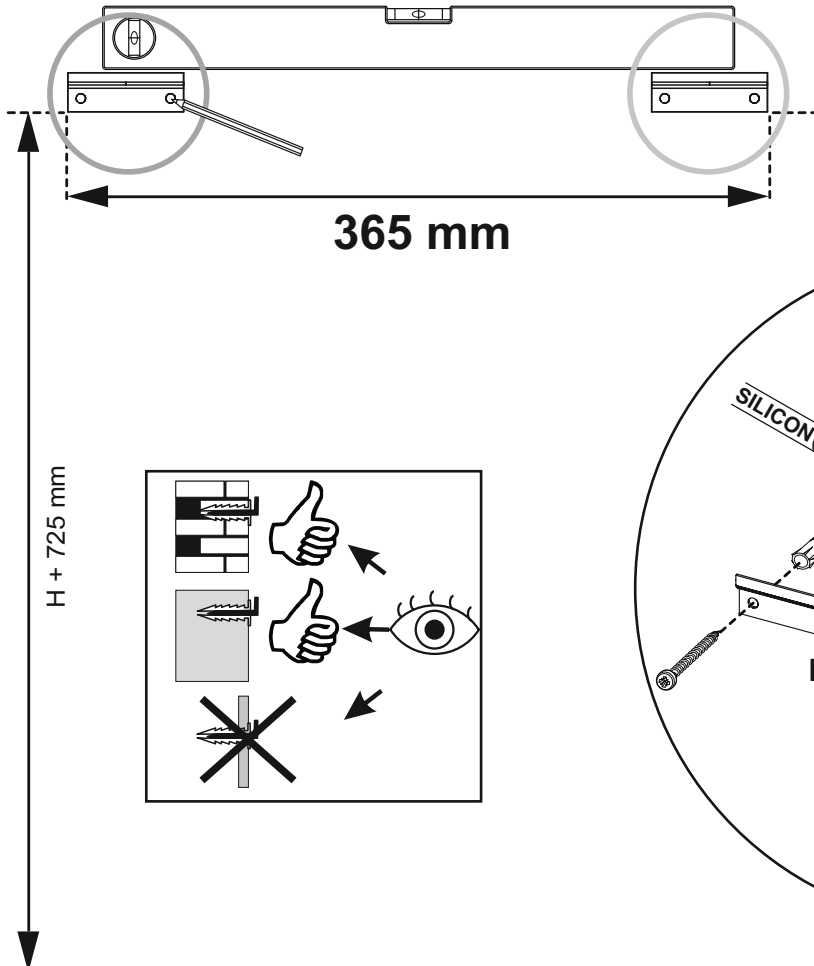
01.



02.



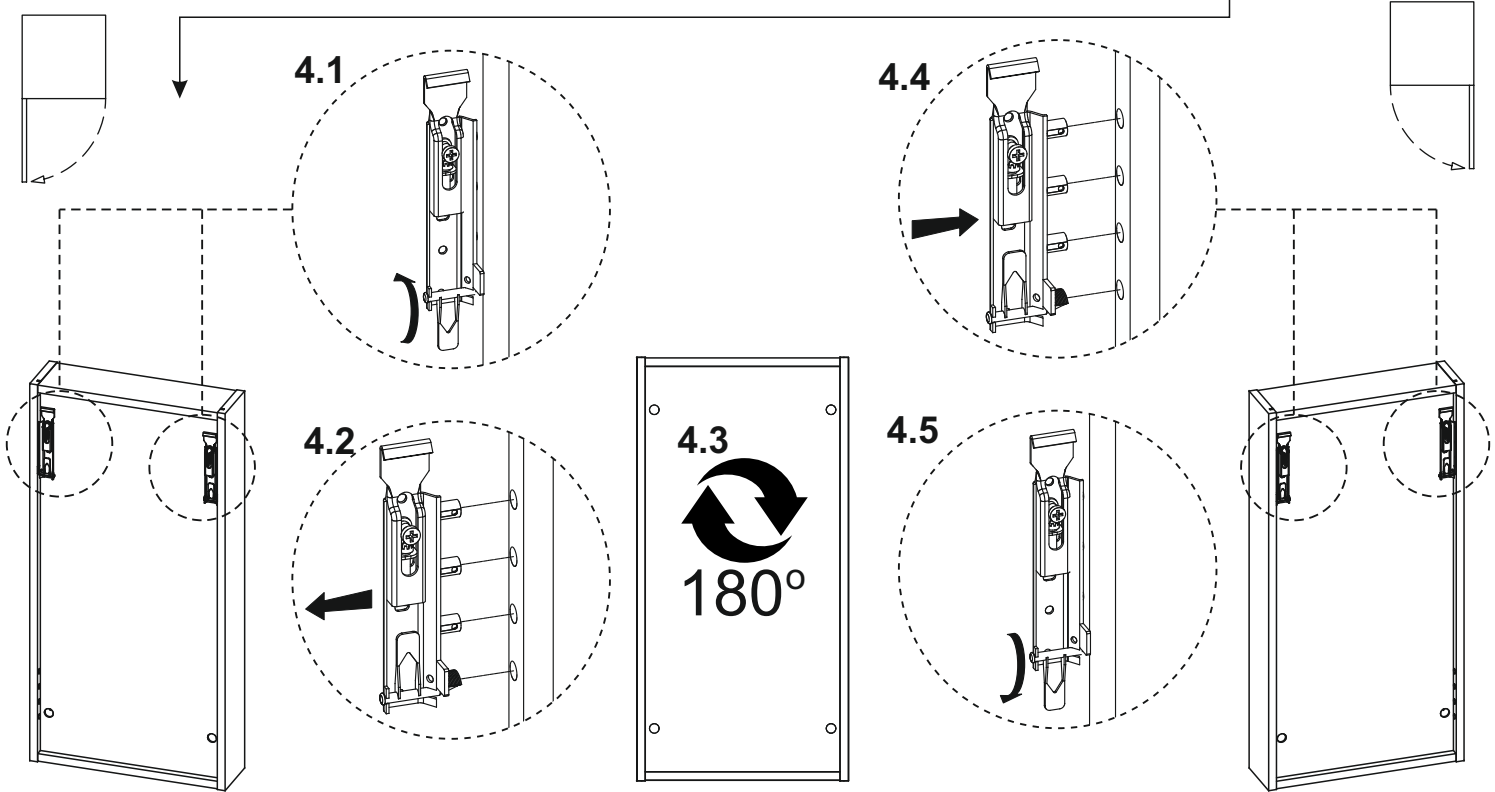
03.



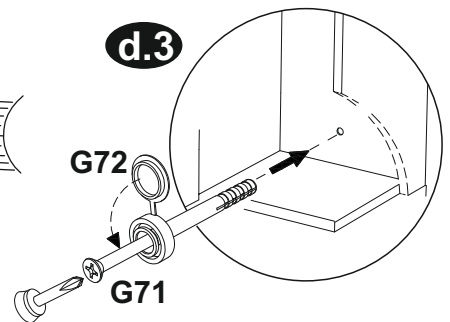
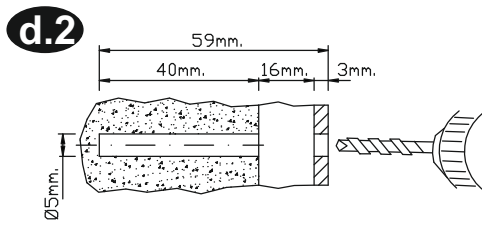
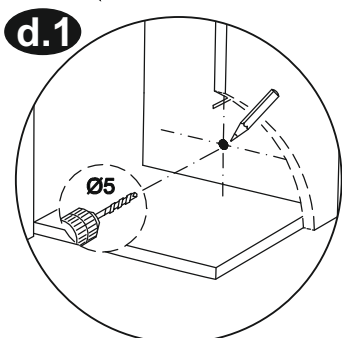
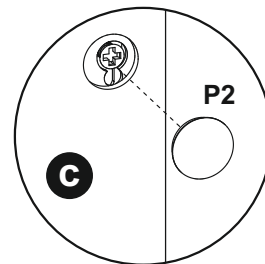
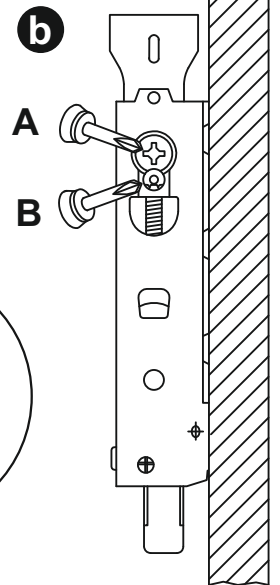
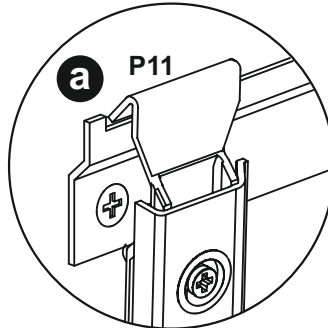
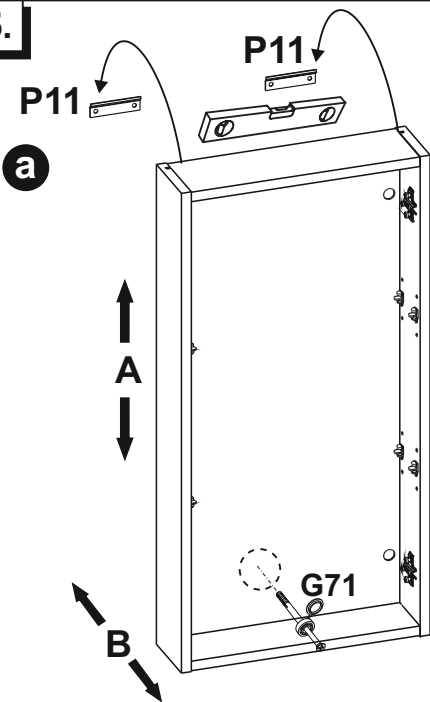
04.



05.



05.



06.

