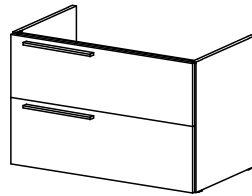
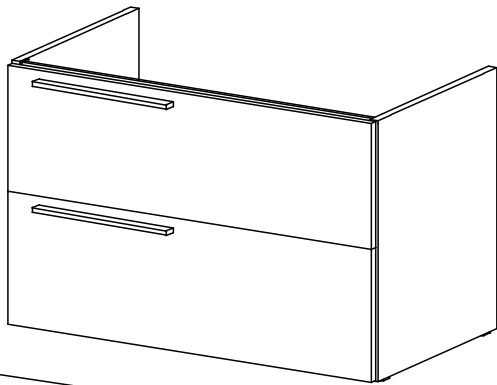
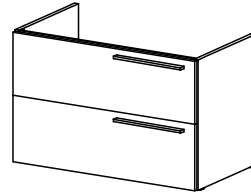


# MARSYLIA

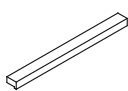


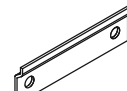
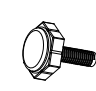



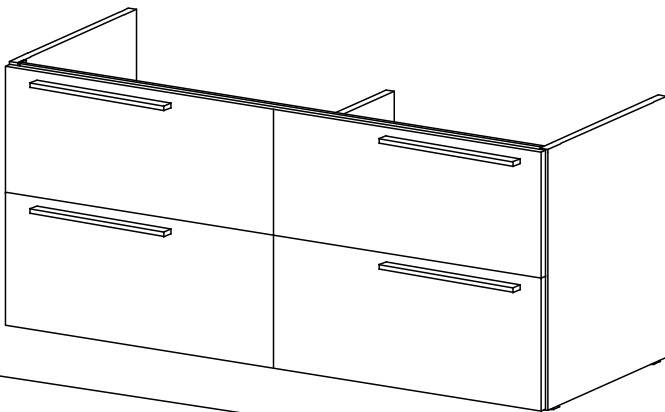
LEFT




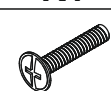
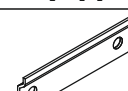
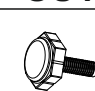

RIGHT

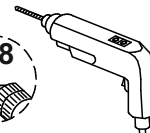
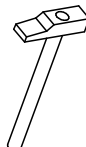
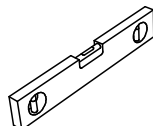
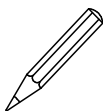
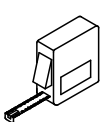
## 70 2 DR / 90 2DR

<b>H</b>	<b>K1</b>	<b>P0</b>	<b>P11</b>	<b>SU1</b>	<b>P3</b>
	 M4x20				 Ø10
x 2	x 4	x 4	x 2	x 4	x 2

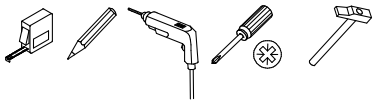


## 120 4DR

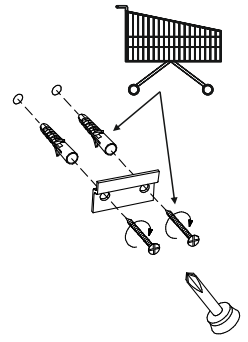
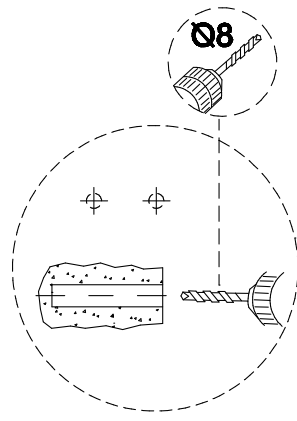
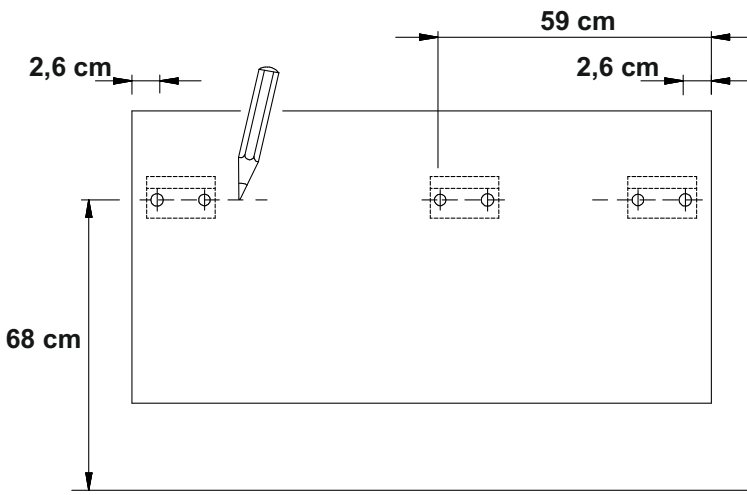
<b>H</b>	<b>K1</b>	<b>P11</b>	<b>SU1</b>	<b>P3</b>
	 M4x20			 Ø10
x 4	x 8	x 3	x 4	x 4



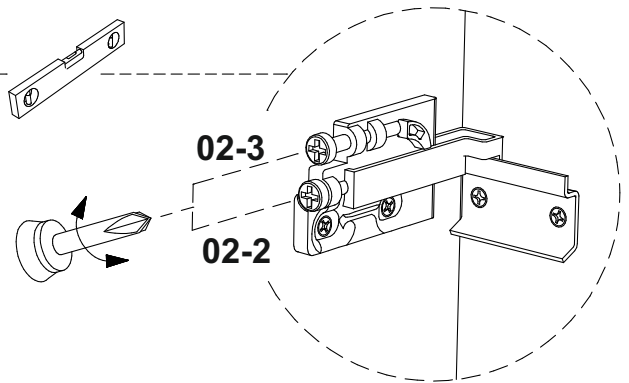
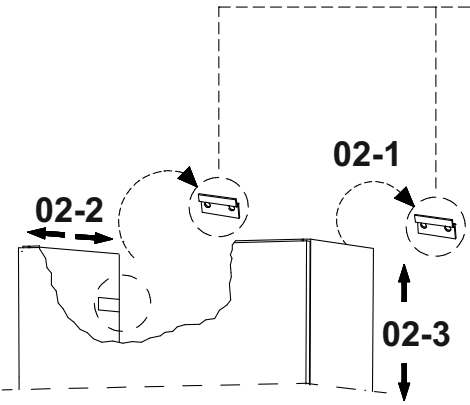
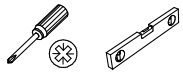
I



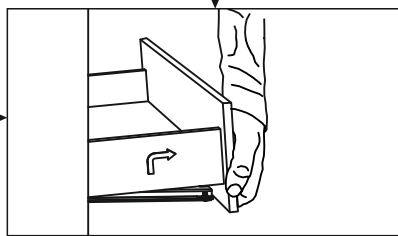
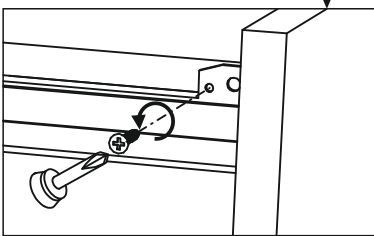
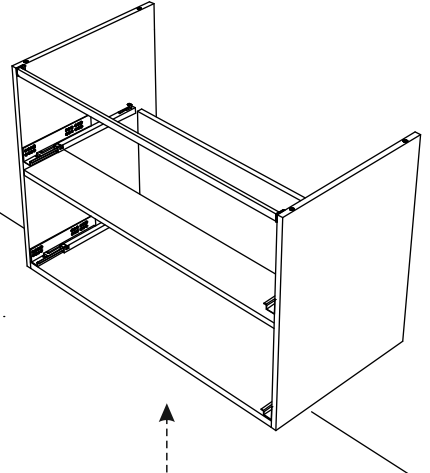
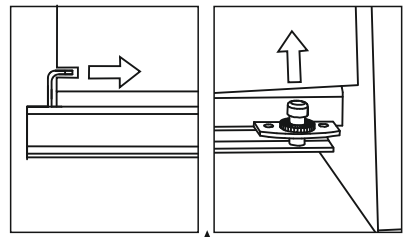
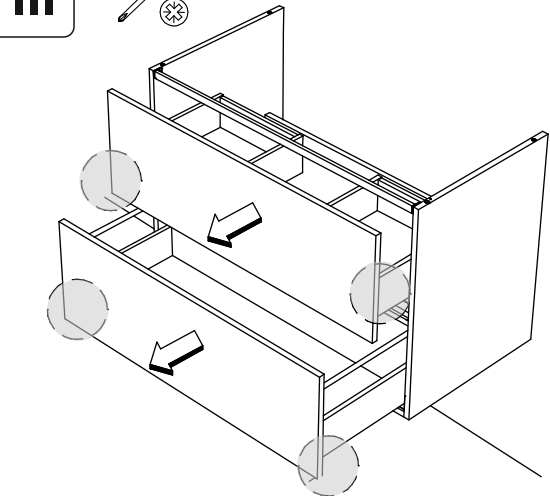
120 4DR



II



III

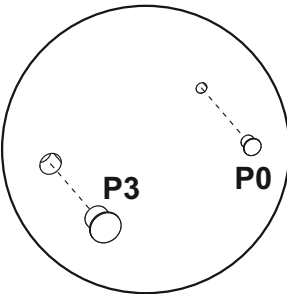
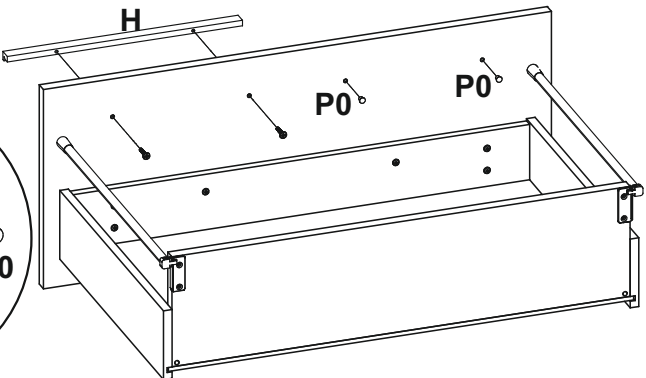
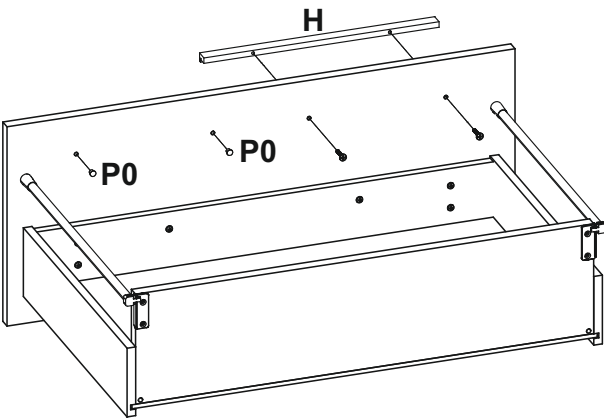
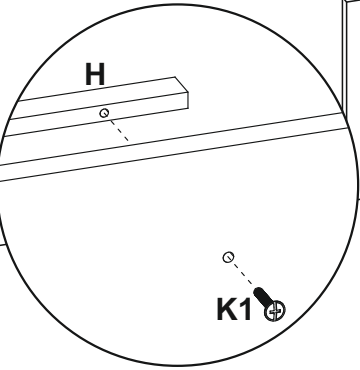
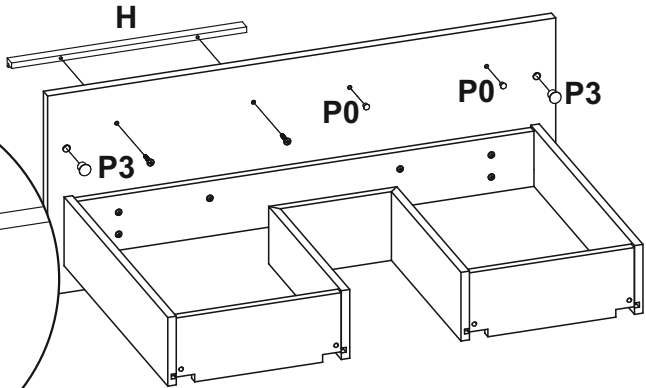
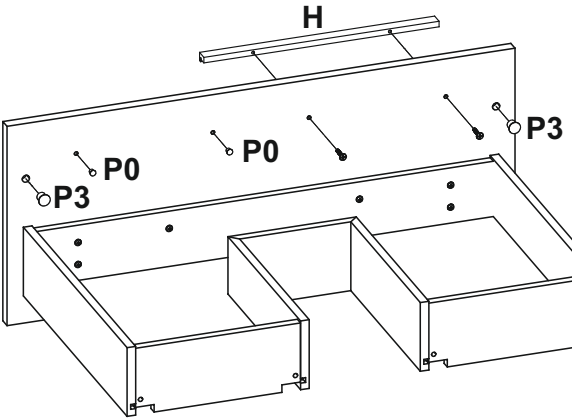
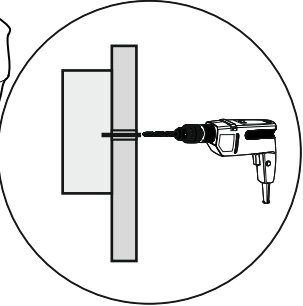
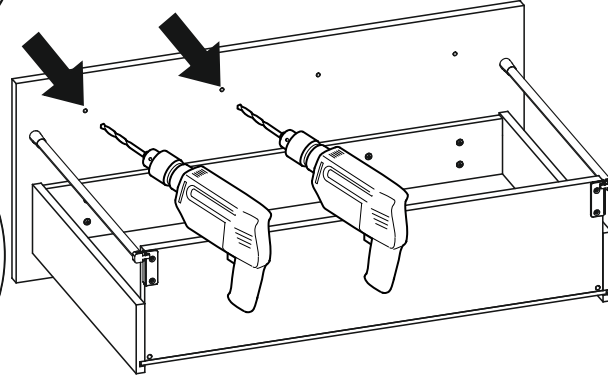
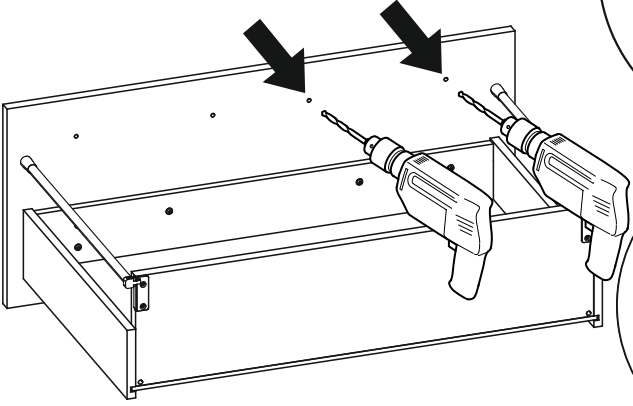
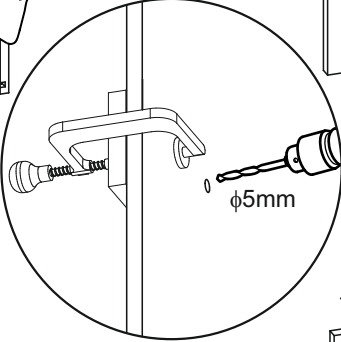
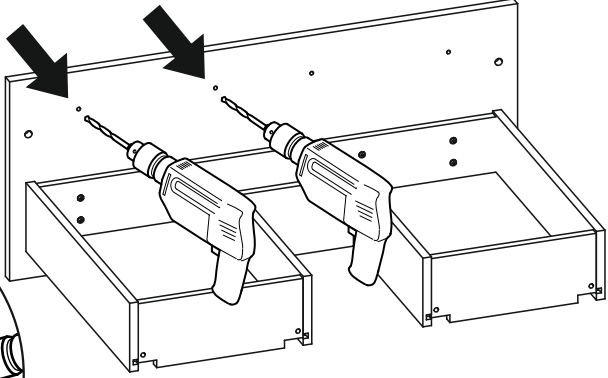
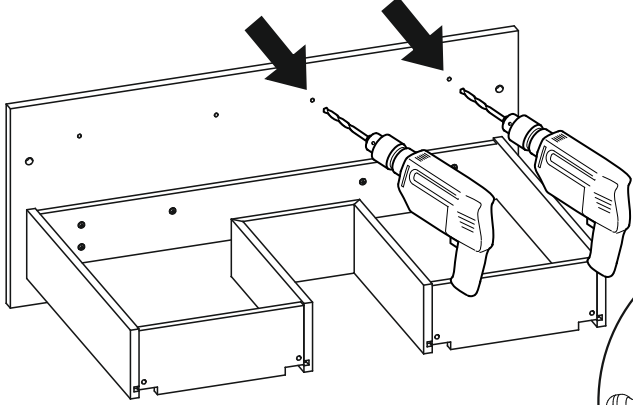
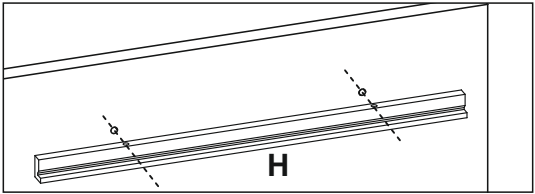
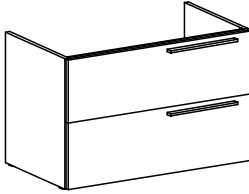
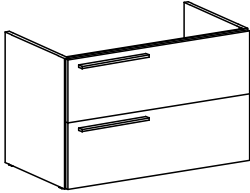


IV

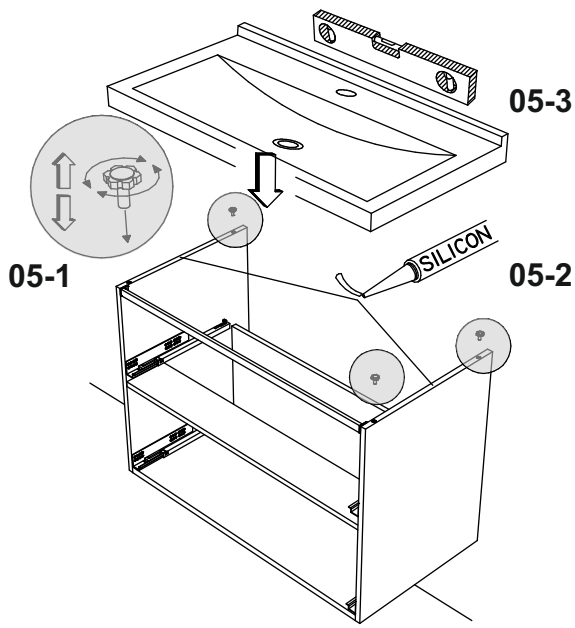
# 70 / 90

LEFT

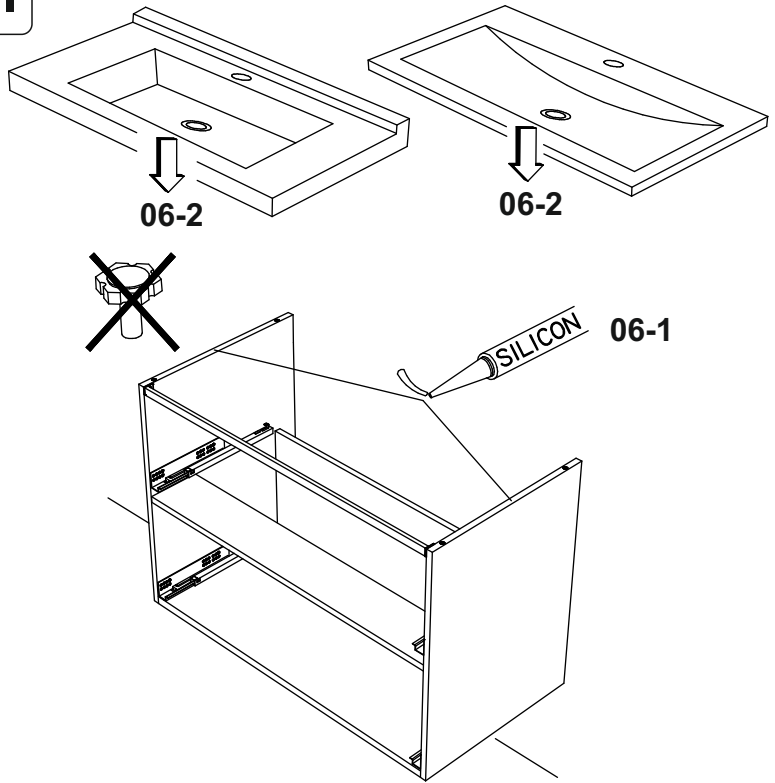
RIGHT



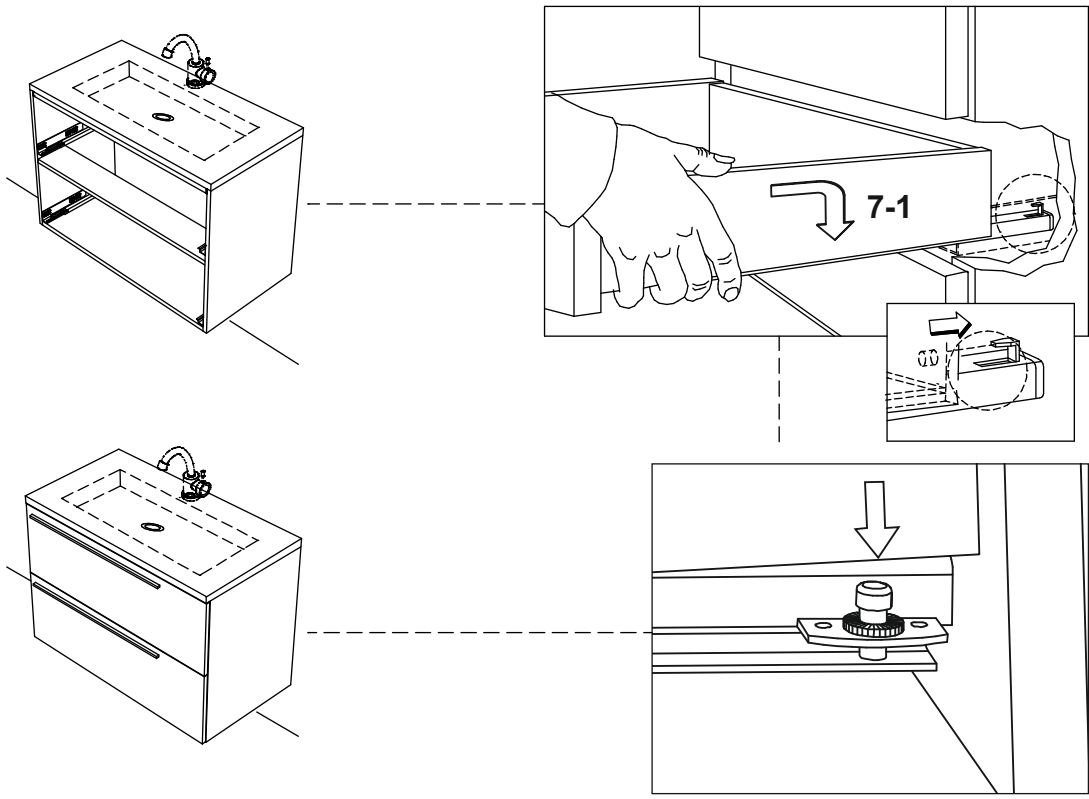
V



VI



VII



VIII

