

Technische Daten/ Technical Data

KLUDI
hand shower 1 S
DN 15

Ref.:
3912053-00

Finishes:
53 matt white

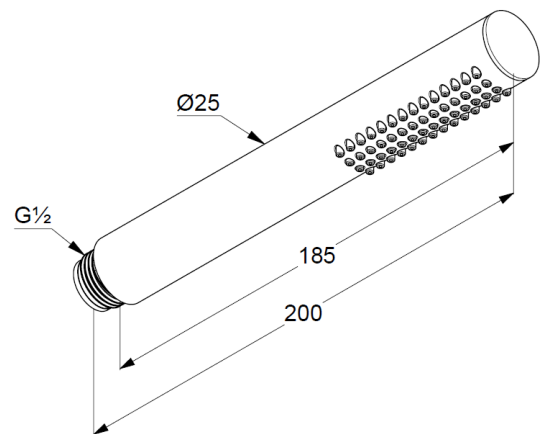
Product description
Manufacturer KLUDI GmbH & Co. KG
Typ: KLUDI
hand shower 1 S
Ref.: 3912053-00

hand shower
1 spray pattern
with cleaning system
connection G $\frac{1}{2}$
sieve seal

Produktabbildung/ Product picture



Maßzeichnung/ Dimensional drawing



Durchfluss/ Flow rate

