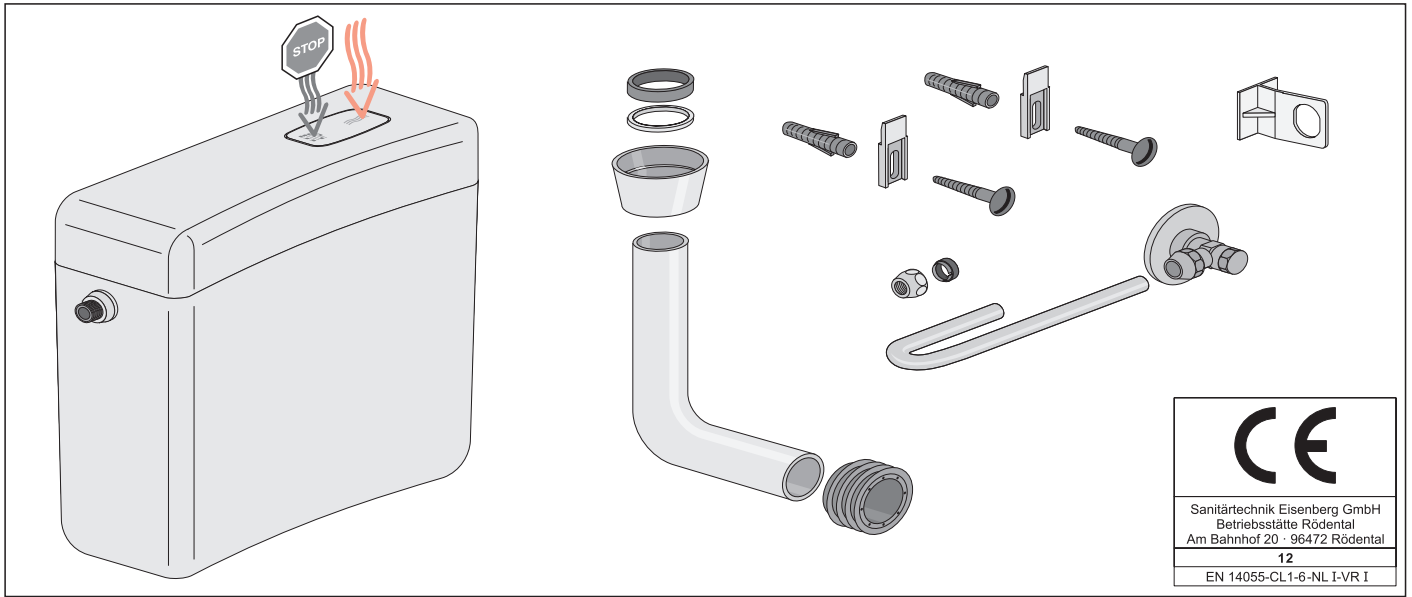
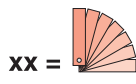


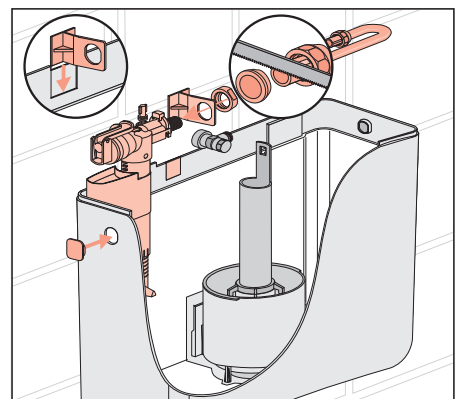
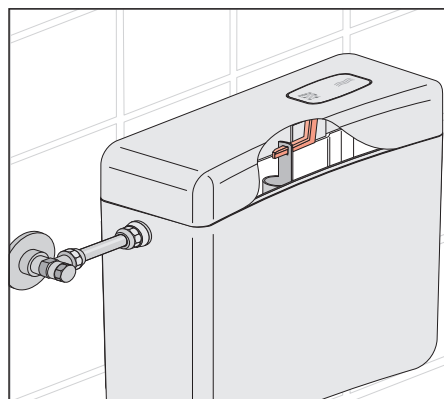
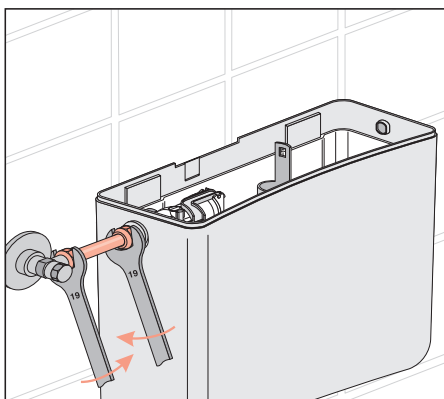
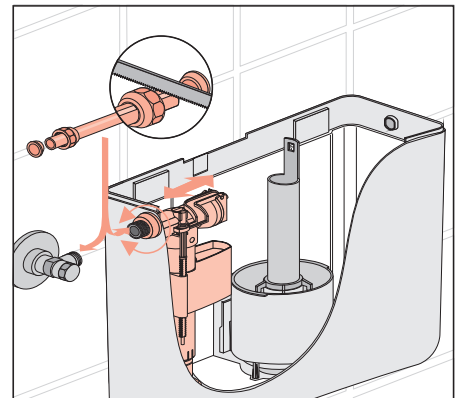
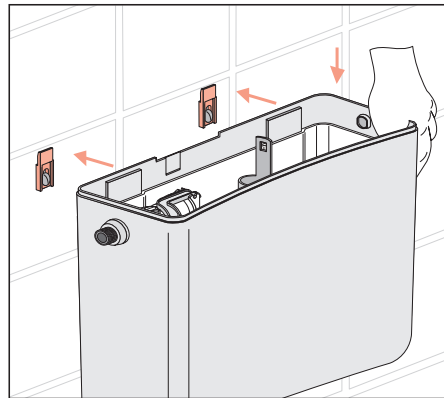
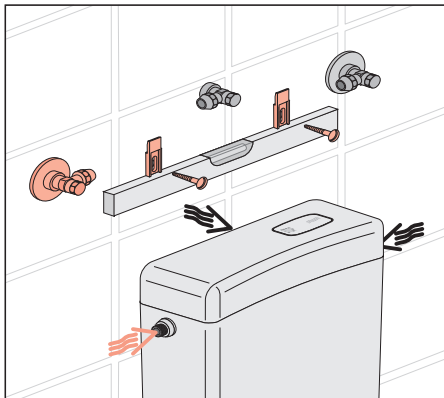
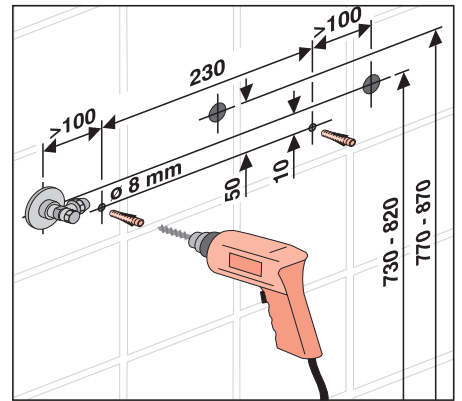
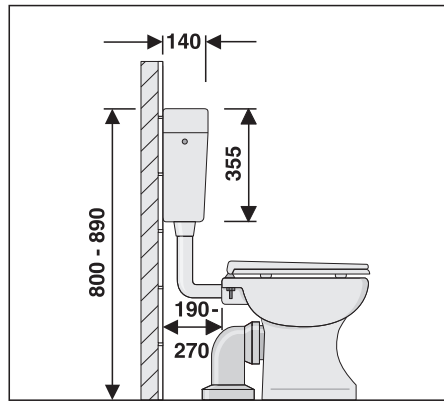
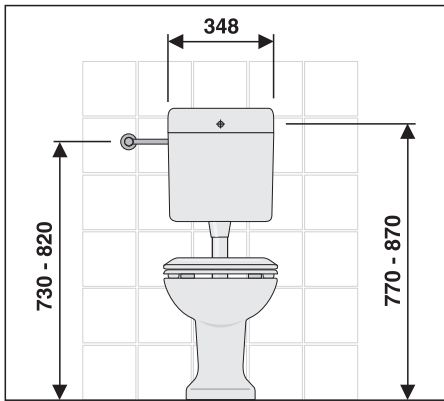
junior Art. 91.A01.xx..0099

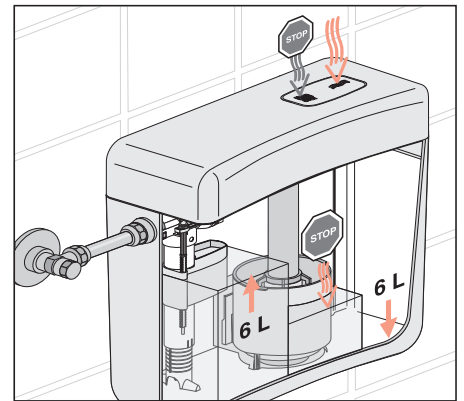
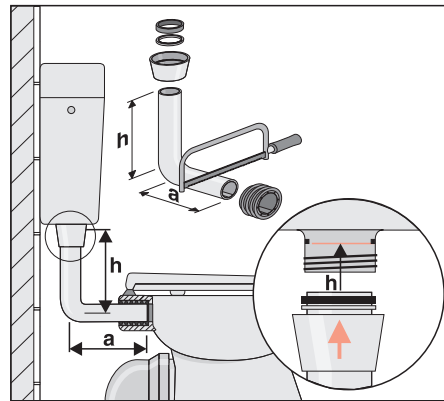
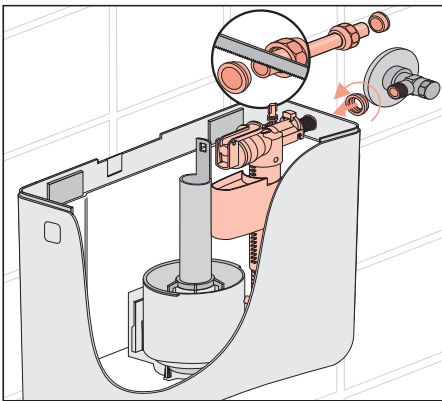


91.A01.xx..S099

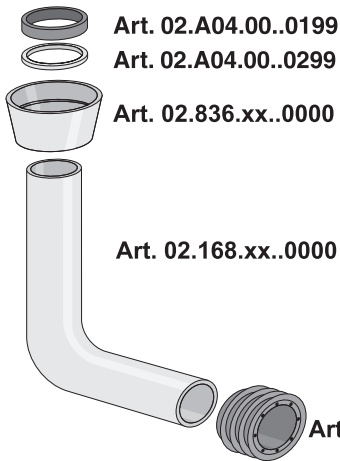


EM.A31.04..3800 - IX/13

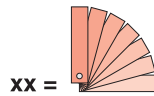
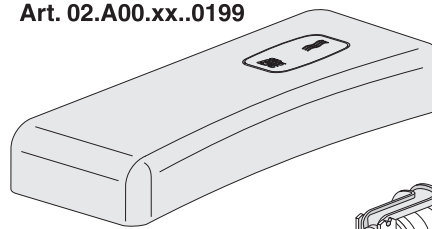




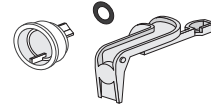
Service



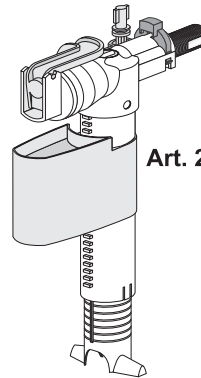
Art. 02.A00.xx..0199



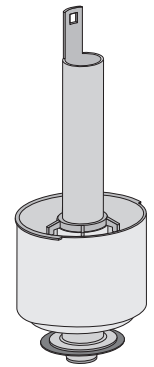
Art. 03.345.00..0000



Art. 01.A00.00..0199

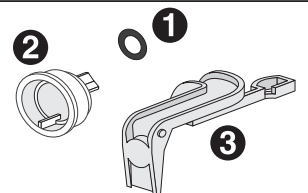
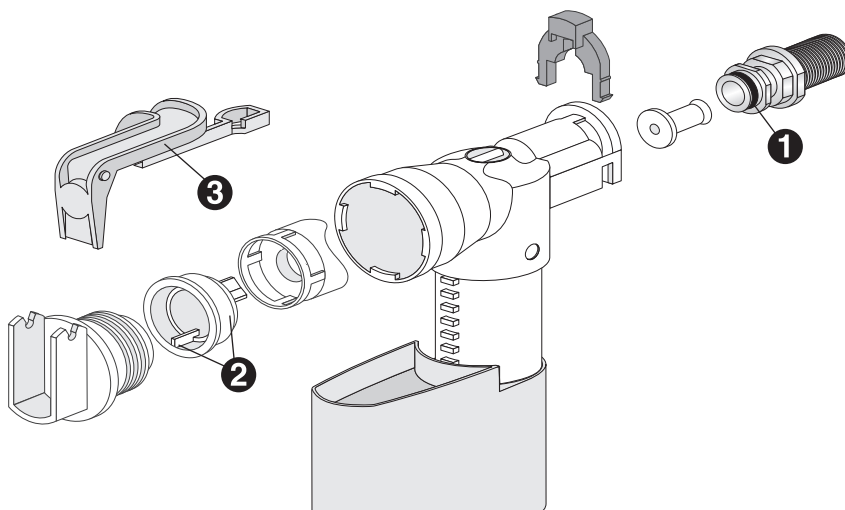


Art. 25.001.00..0000



Art. 02.754.00..0000

Service



Art. 03.345.00..0000