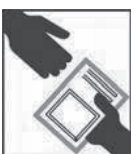
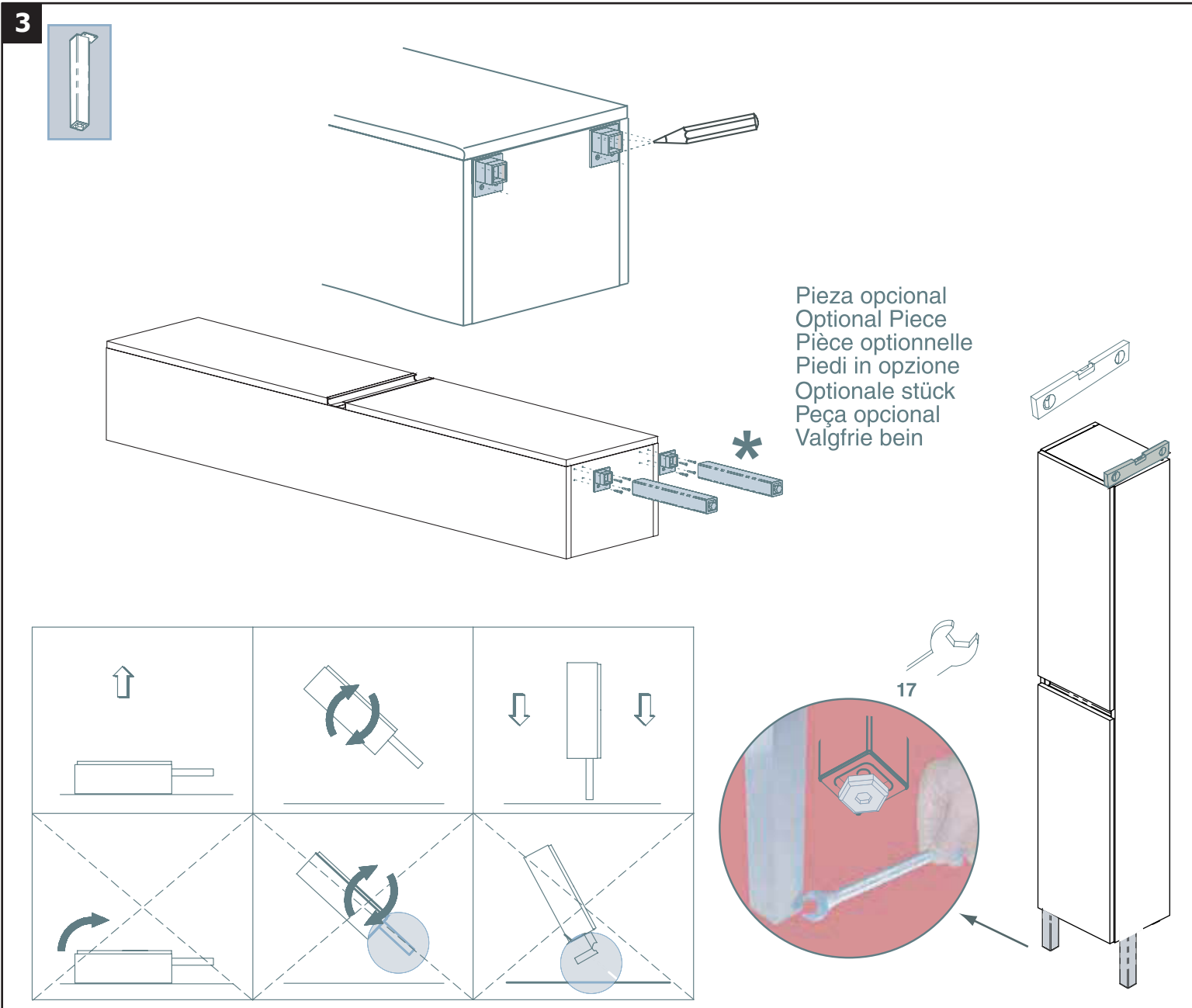
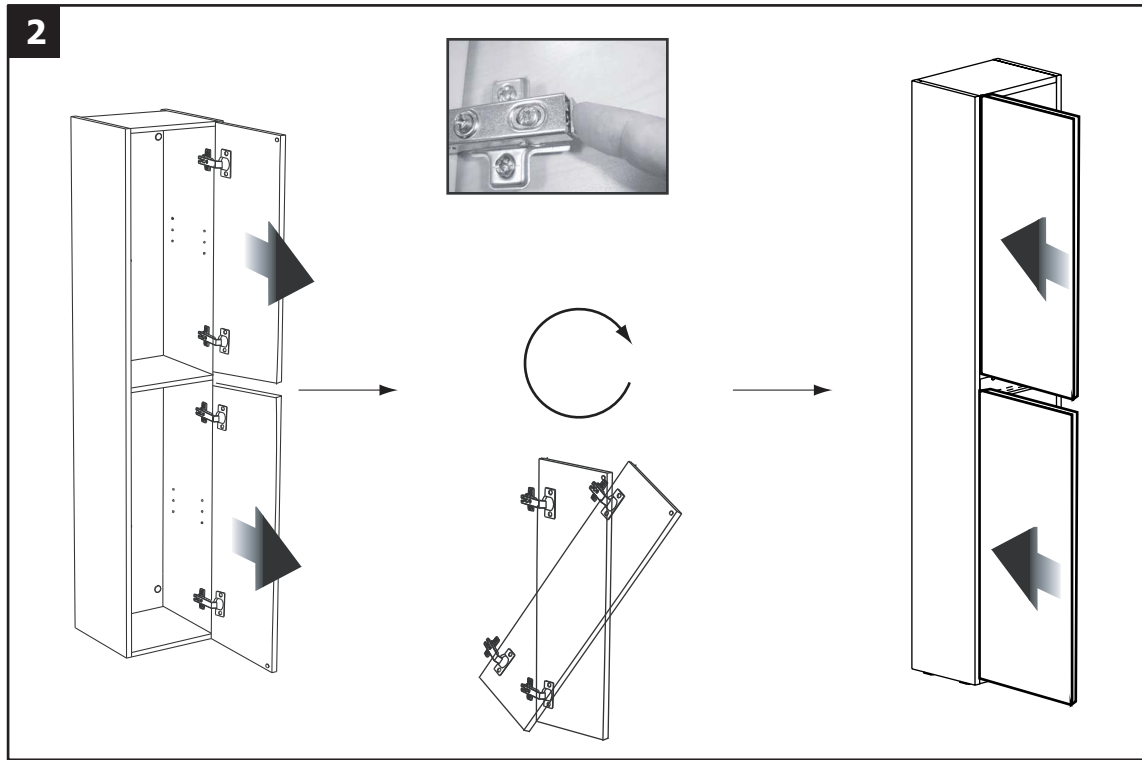
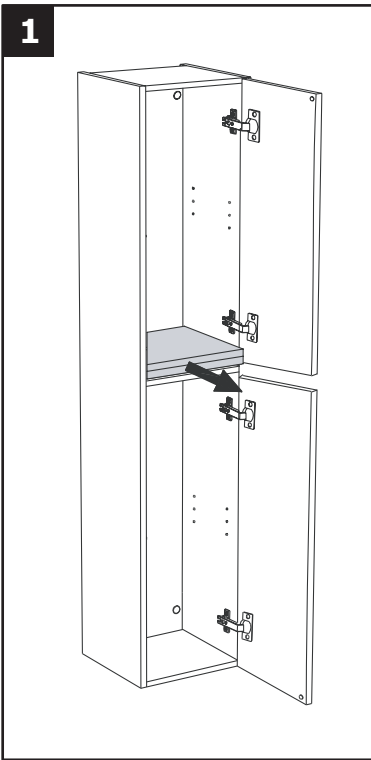


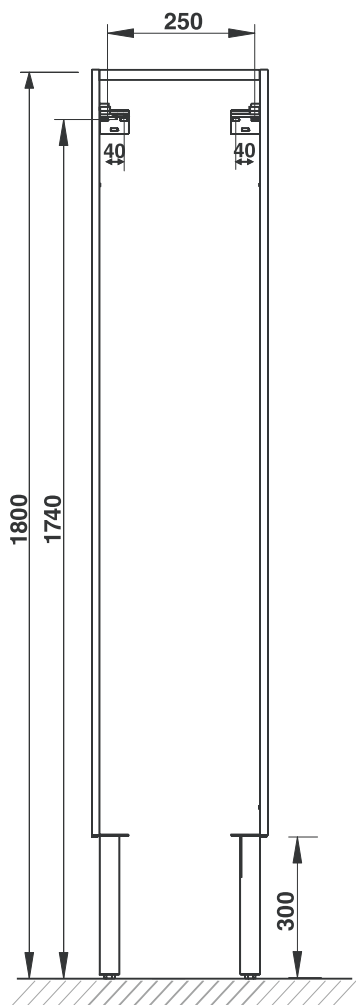
mm		
A	B	C
300	240	1500

151125

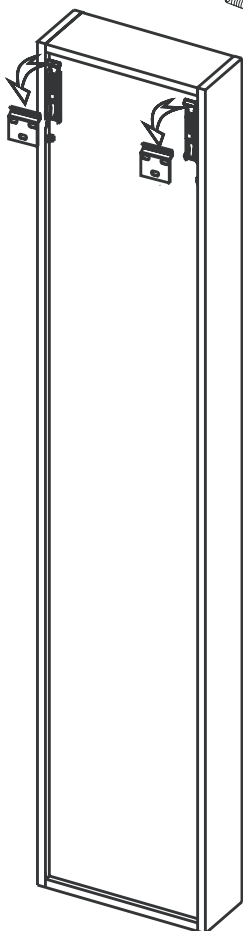




4



5



6 Unds

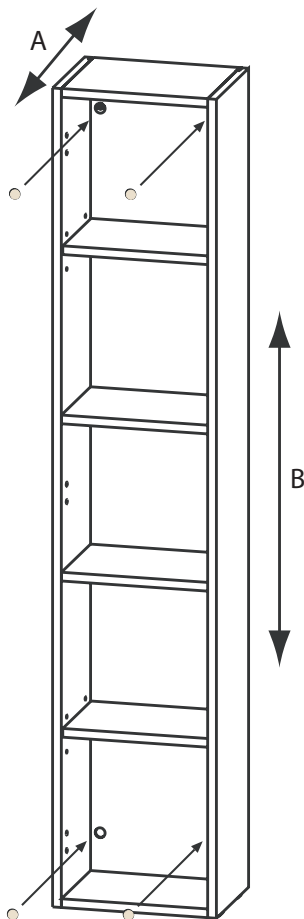
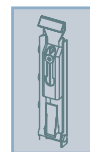


2 Unds

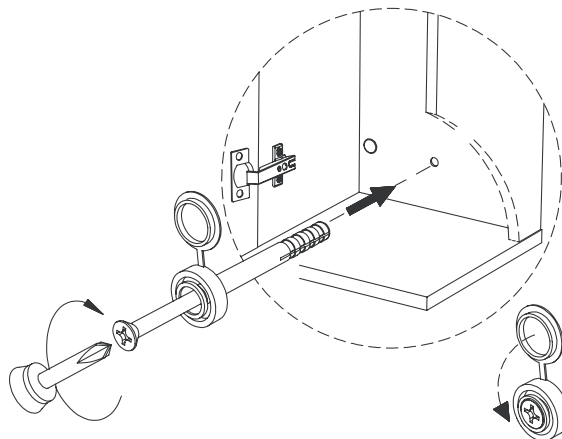
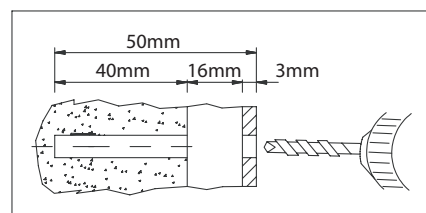
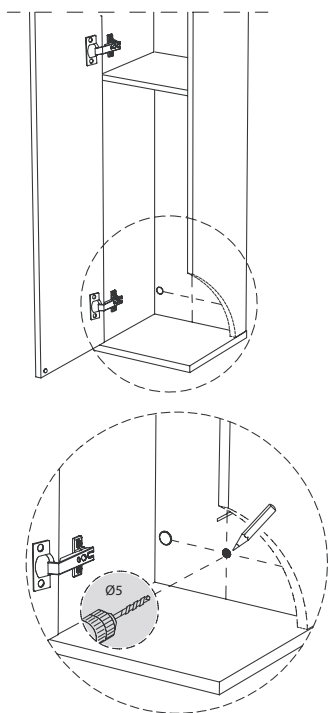
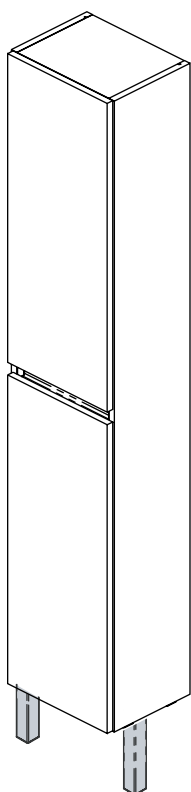


6 Unds

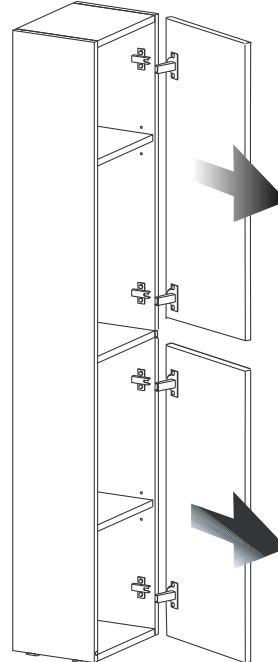
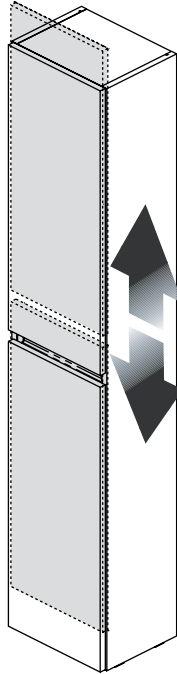
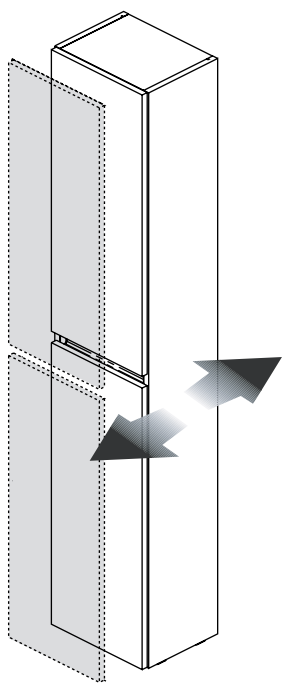
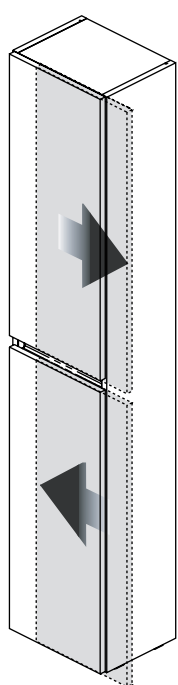
6



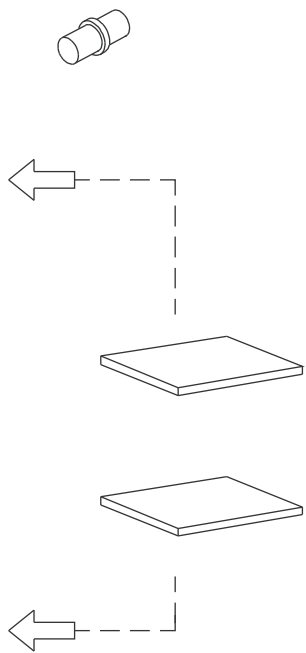
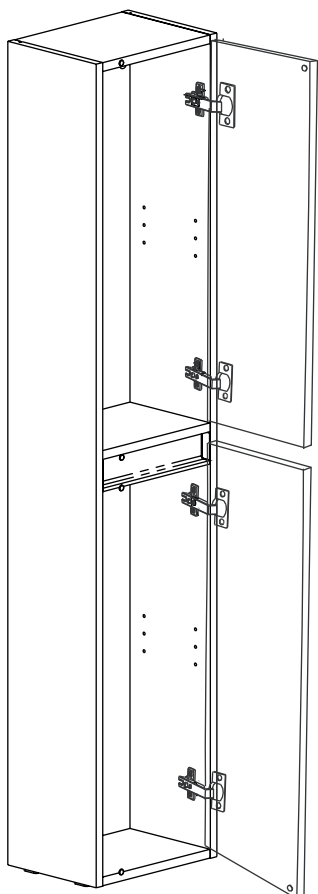
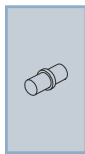
7



8



9



10

