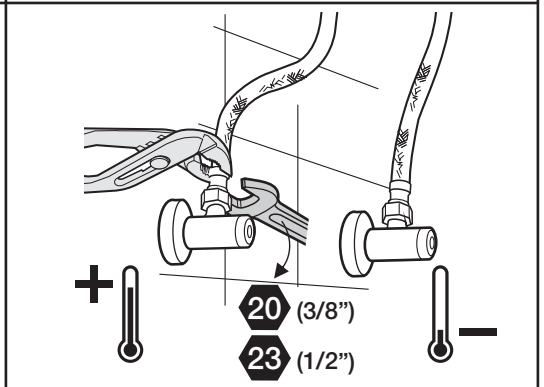
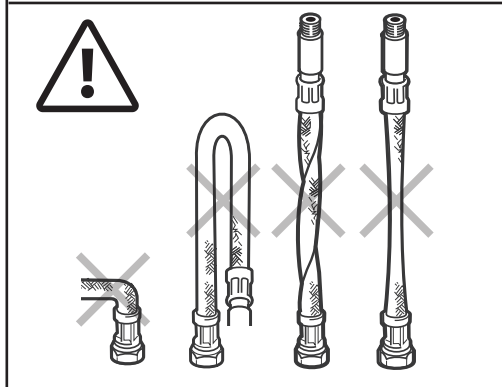
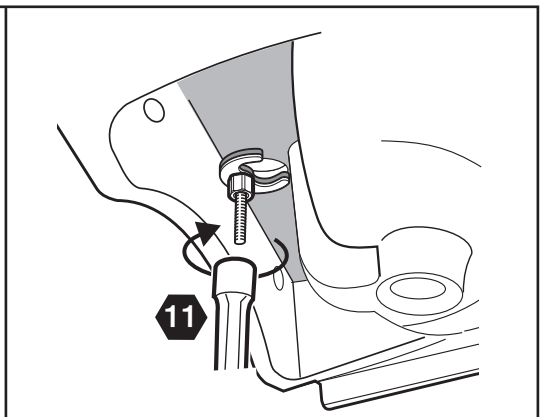
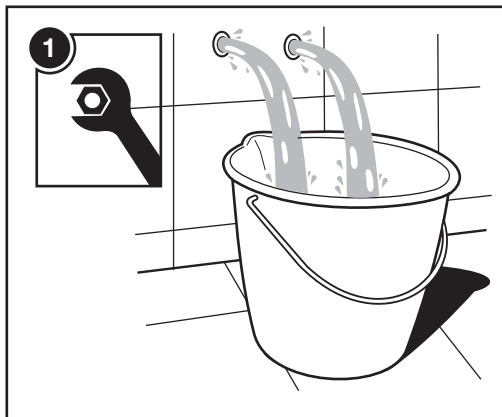















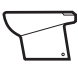


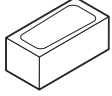


Roca

CARMEN





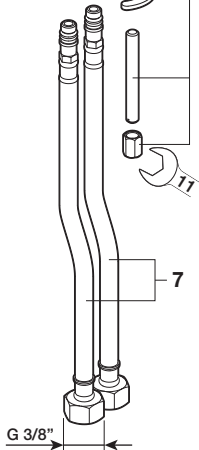
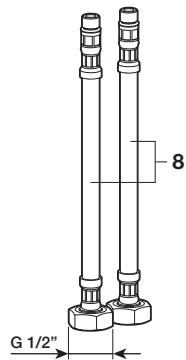
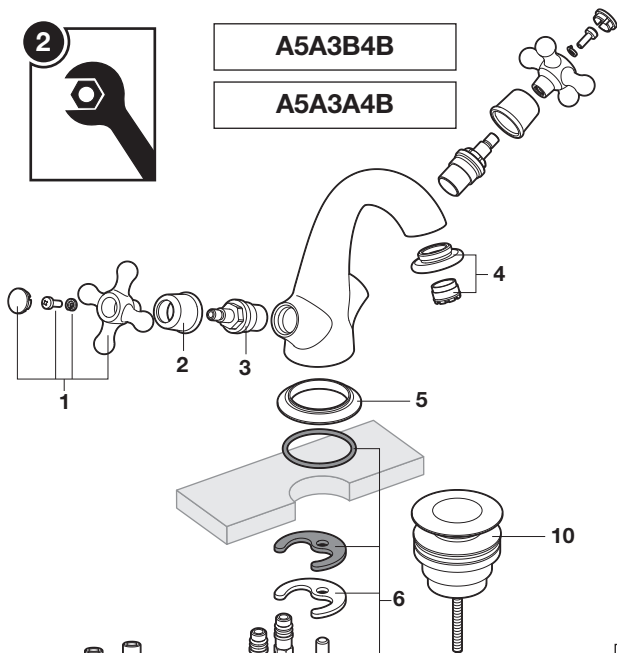
 P 	P bar	 MAX. 10			
 P 	P bar	MIN. 0,5  MAX. 10	 3 1 		
 T	°C	 -80 MAX. -45 MIN.		 -65 -50 	
 Q (3 bar)	l/min	 9	 5	 8	 20

2

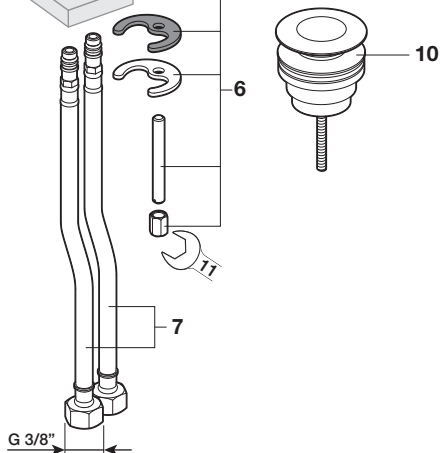
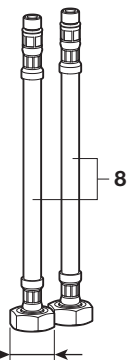
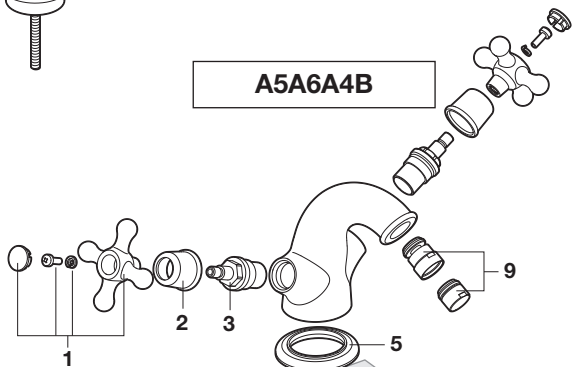


A5A3B4B

A5A3A4B



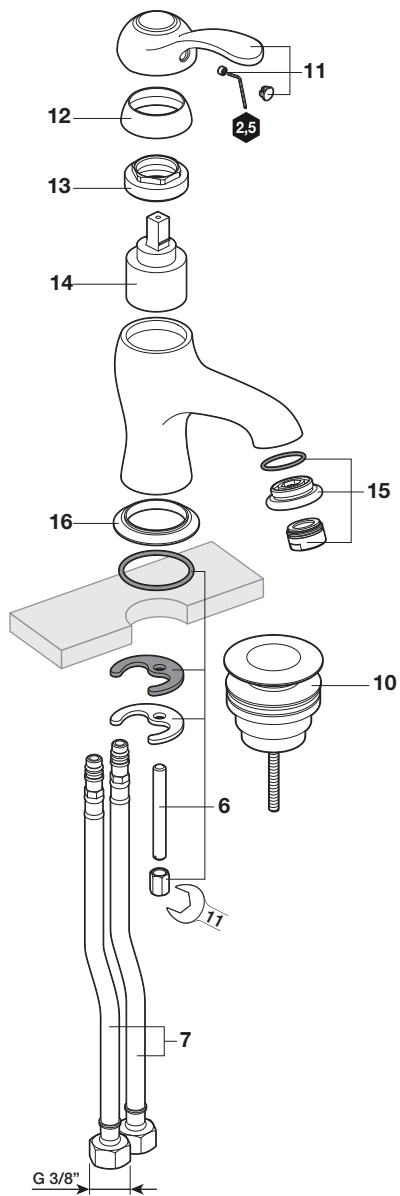
A5A6A4B



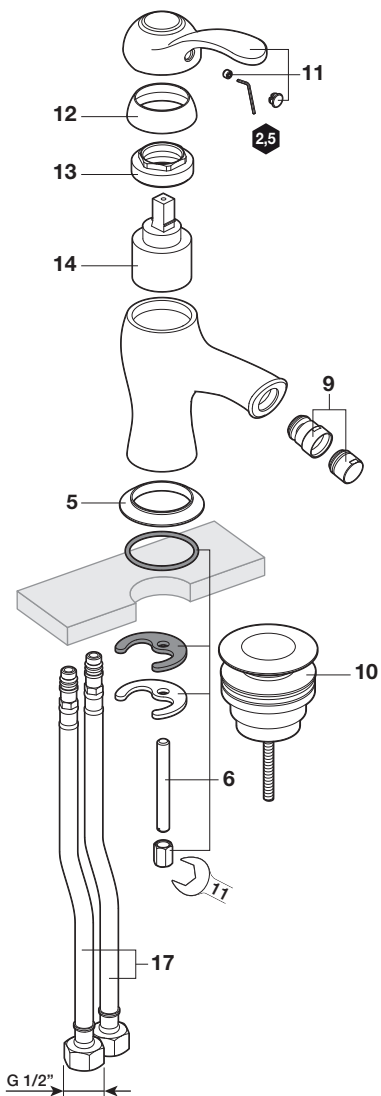


A5A304B

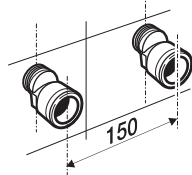
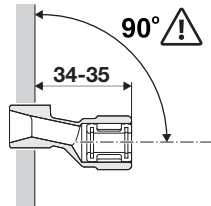
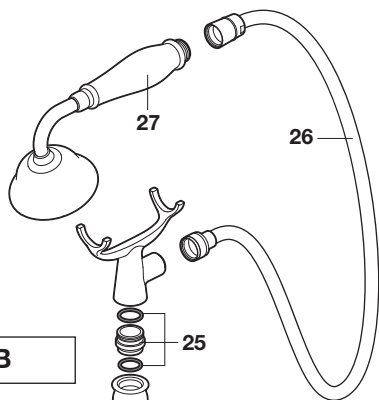
A5A314B



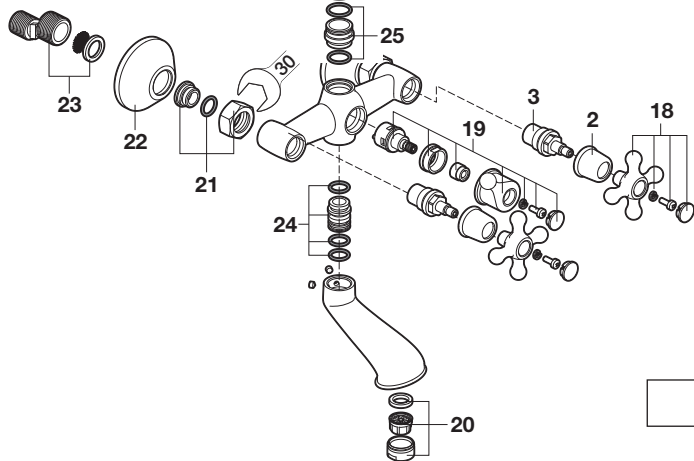
A5A604B



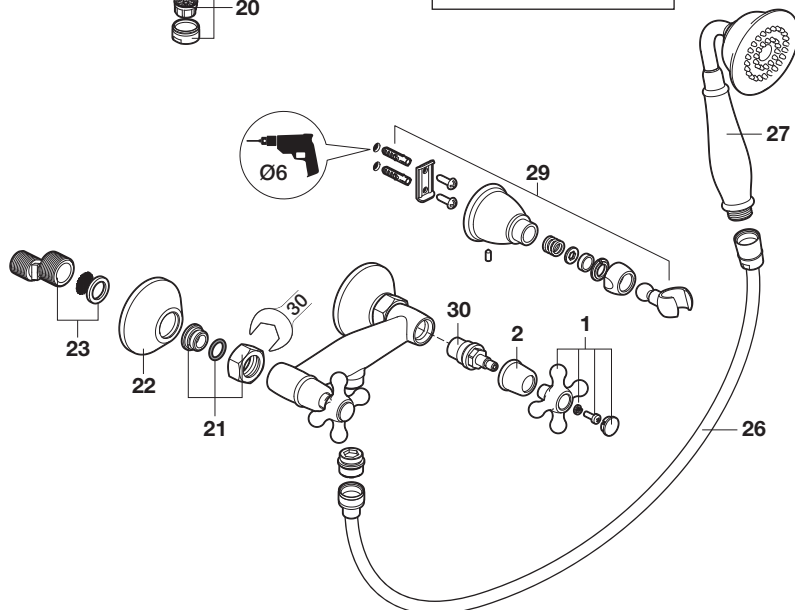
4



A5A014B



A5A204B



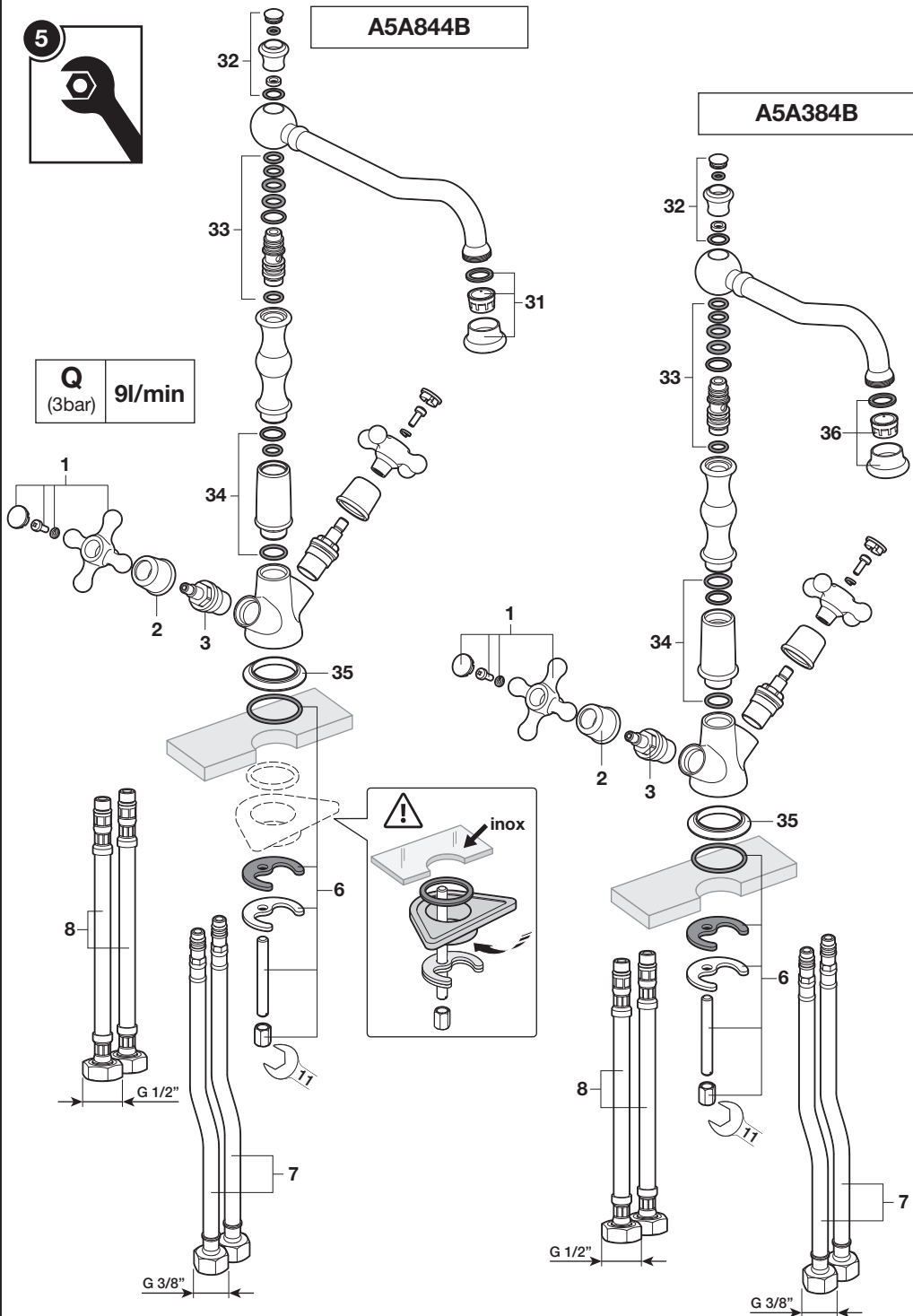
5



A5A844B

A5A384B

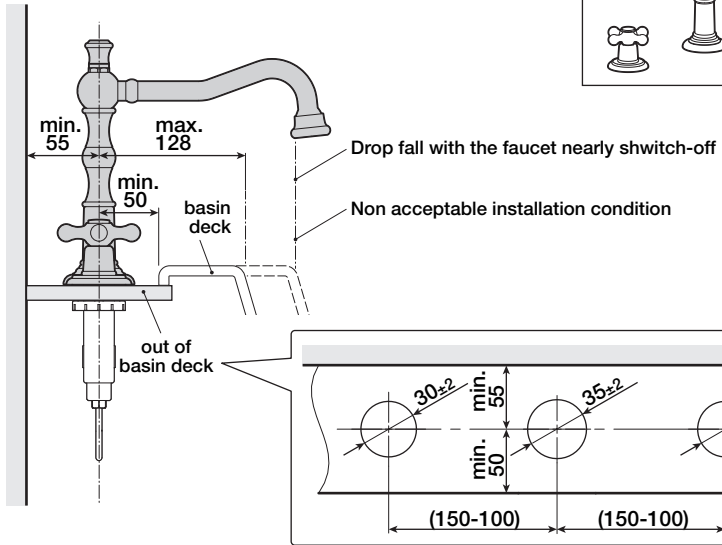
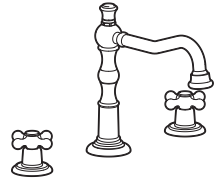
Q
(3bar) **9l/min**



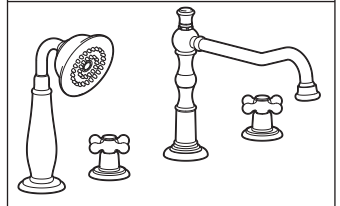
6



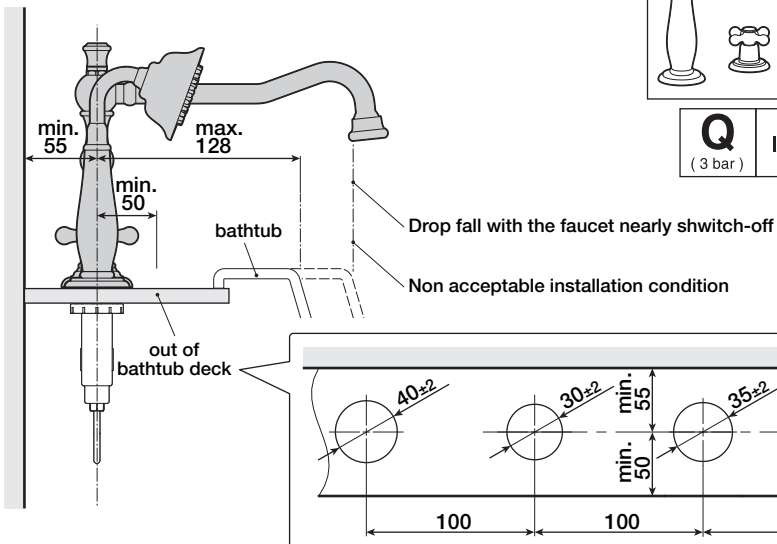
A5A444B

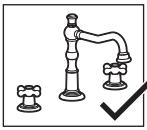


A5A094B

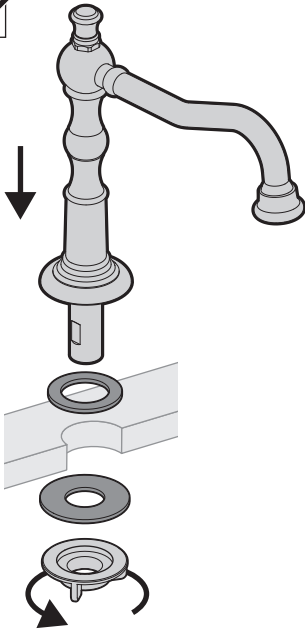


Q (3 bar)	l/min	24
---------------------	--------------	----

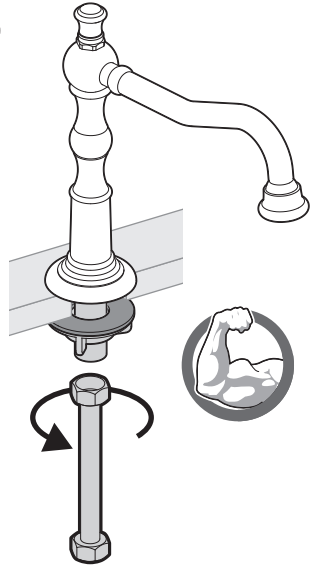




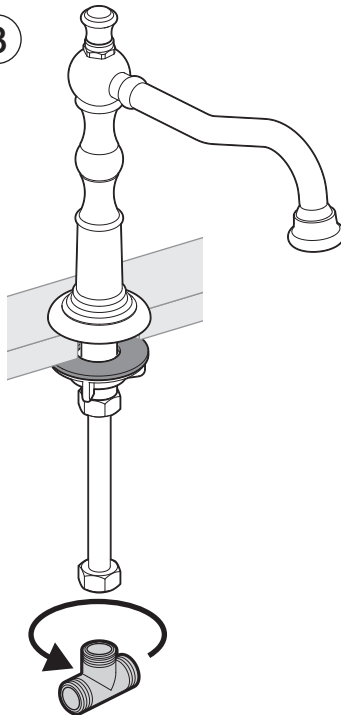
1

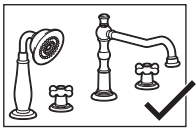


2

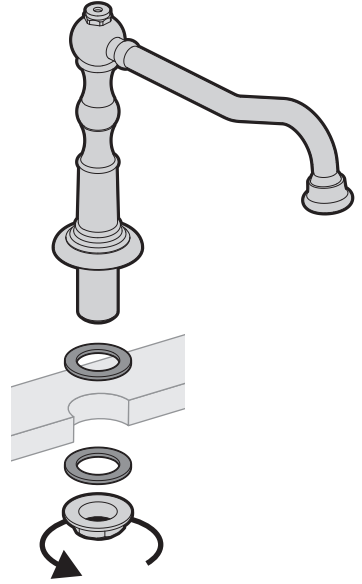
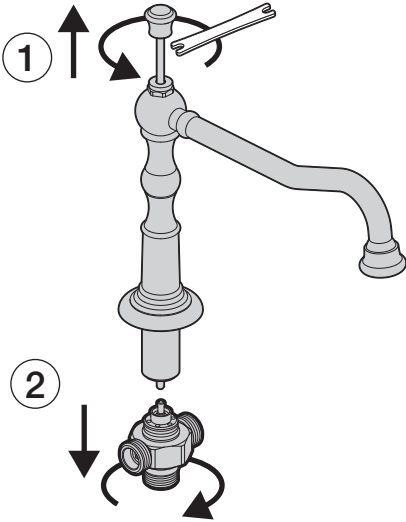


3

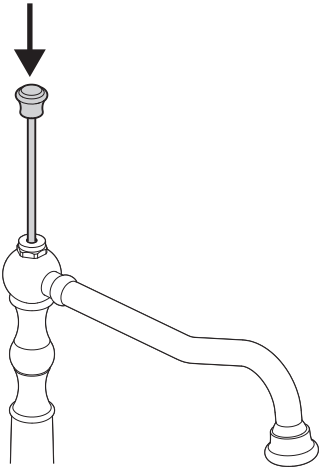




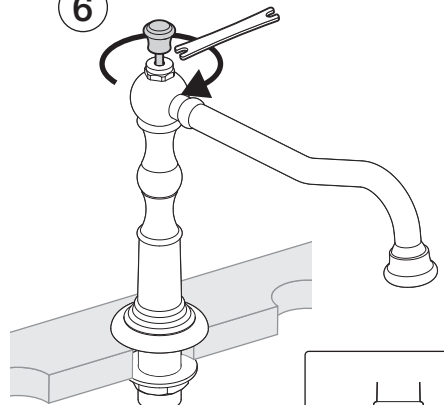
3



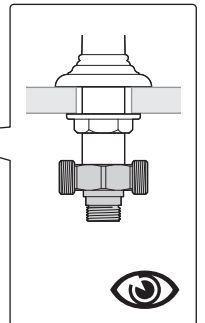
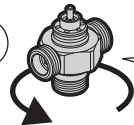
4

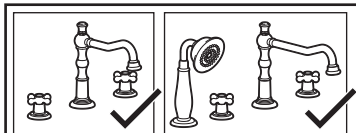


6

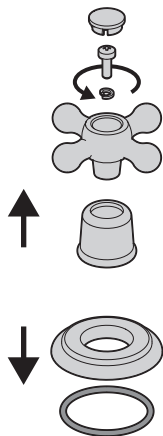


5

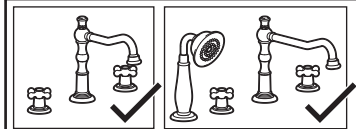
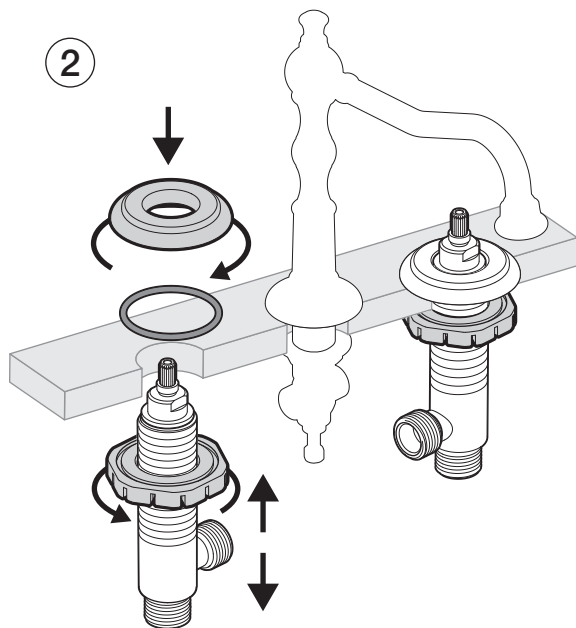




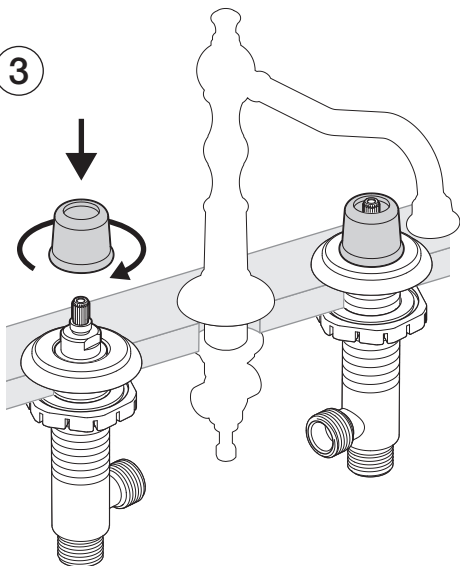
1



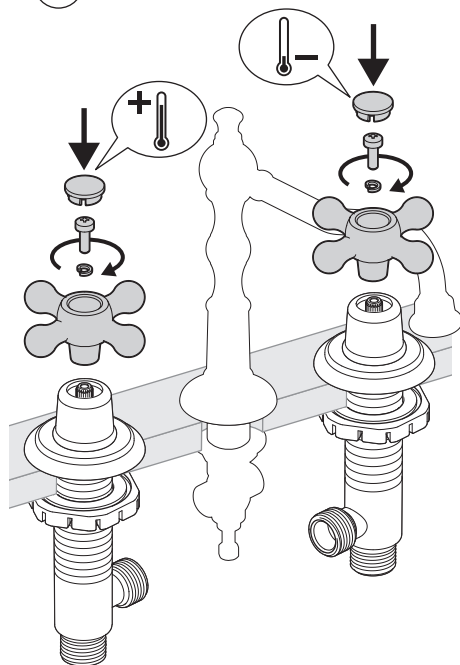
2

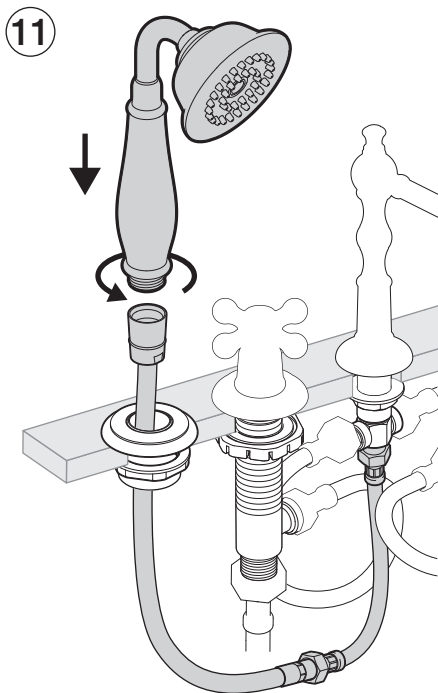
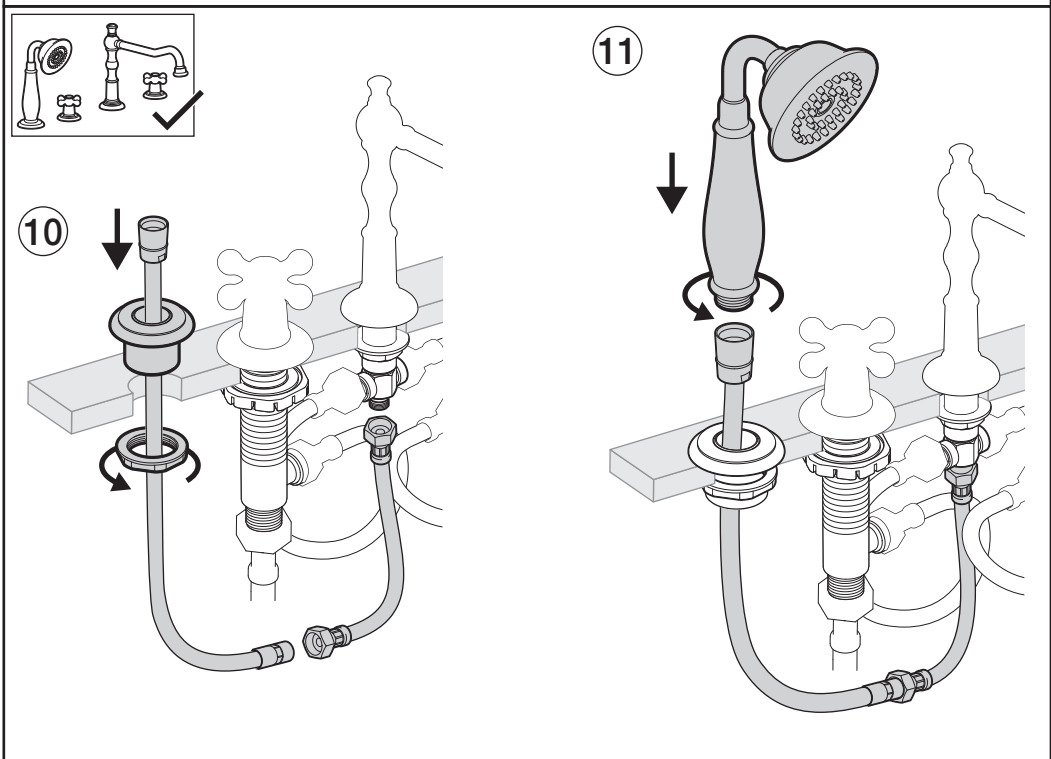
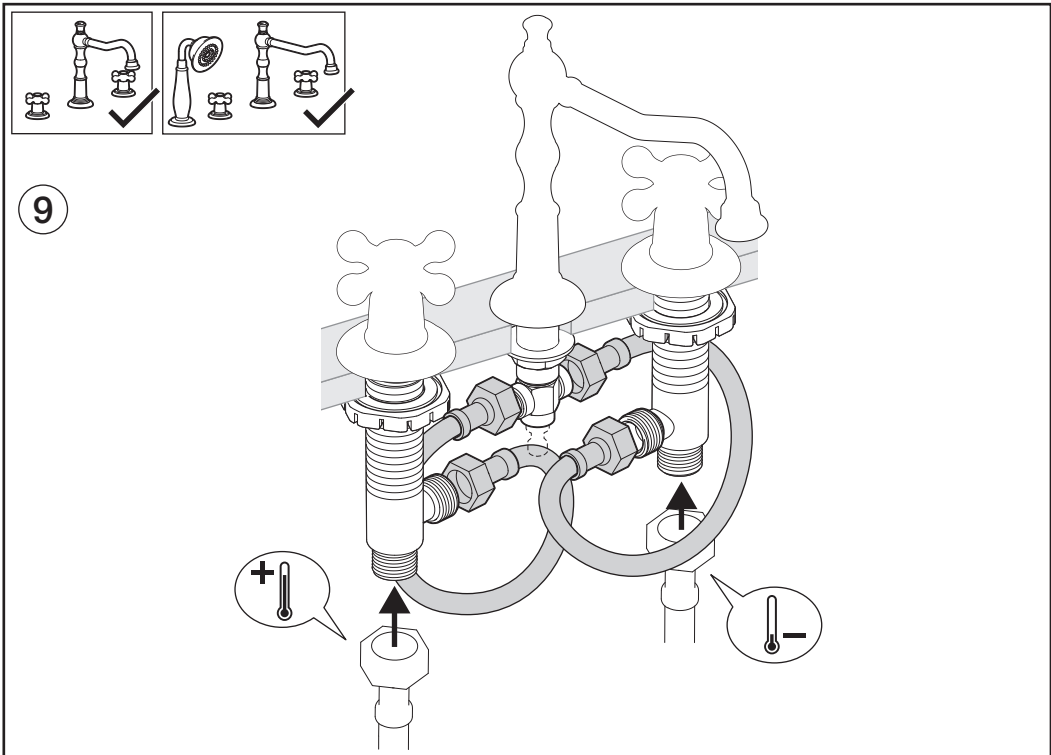


3



4

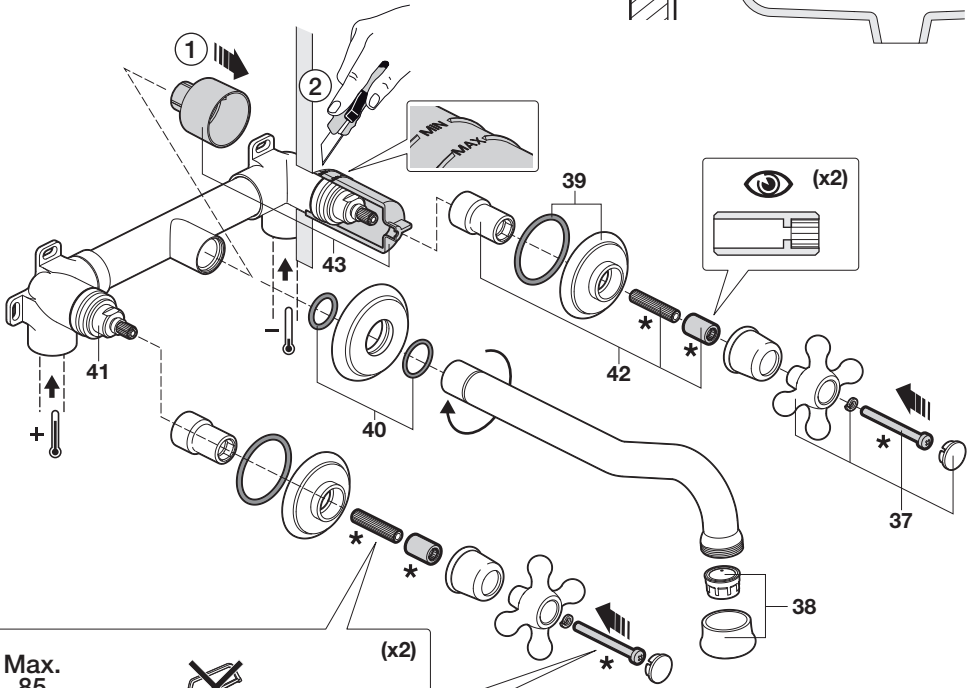
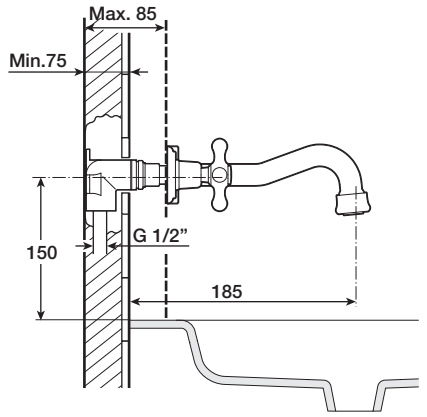




11

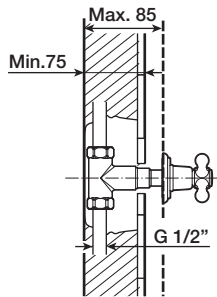


A5A474B

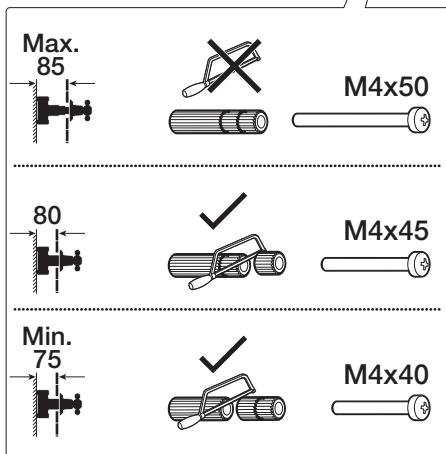
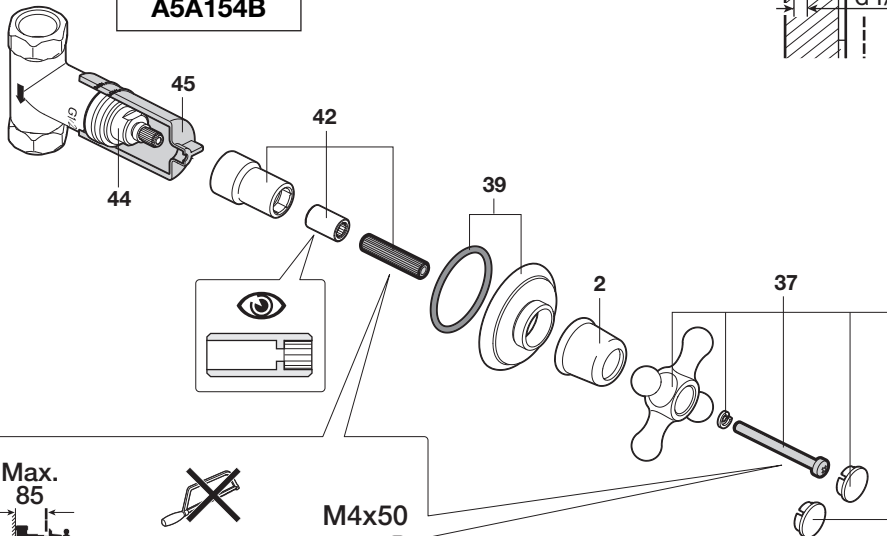


<p>Max. 85</p>		<p>(x2)</p> <p>M4x50</p>
<p>80</p>		<p>(x2)</p> <p>M4x45</p>
<p>Min. 75</p>		<p>(x2)</p> <p>M4x40</p>

12



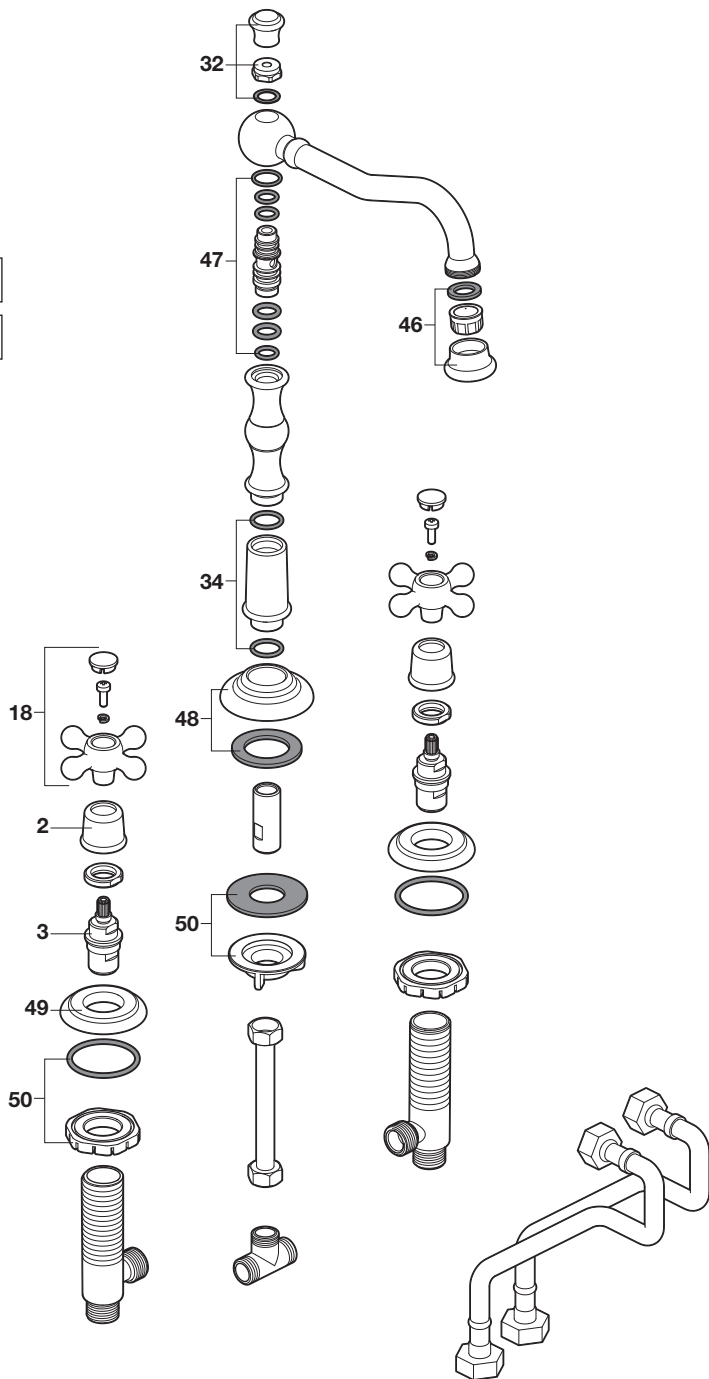
A5A154B





A5A444B

A5A094B





1 - AG01660..R	18 - AG01679..R	35 - AG01695..R
2 - AG01661..R	19 - AG01680..R	36 - AG01696..R
3 - AG0166200R	20 - AG01681..R	37 - AG01697..R
4 - AG01663..R	21 - AG01682..R	38 - AG01698..R
5 - AG01664..R	22 - AG01683..R	39 - AG01699..R
6 - AG0166500R	23 - AG0168400R	40 - AG01700..R
7 - AG0166800R	24 - AG0168500R	41 - AG0172400R
8 - AG0166900R	25 - AG0168600R	42 - AG0170200R
9 - AG01670..R	26 - AG0168700R	43 - AG0172500R
10 - AG01671..R	27 - A5B114B...	44 - AG0170100R
11 - AG01672..R	28 - AG0168800R	45 - AG0172600R
12 - AG01673..R	29 - AG01689..R	46 - AG01703..R
13 - AG0167400R	30 - AG0169000R	47 - AG0170400R
14 - AG0167500R	31 - AG01691..R	48 - AG01705..R
15 - AG01676..R	32 - AG01692..R	49 - AG01707..R
16 - AG01677..R	33 - AG0169300R	50 - AG0170800R
17 - AG0167800R	34 - AG0169400R	

Sustituir (..) de la referencia del recambio por el código del acabado elegido:

In the spare part number replace (..) with the code for the chosen finish:

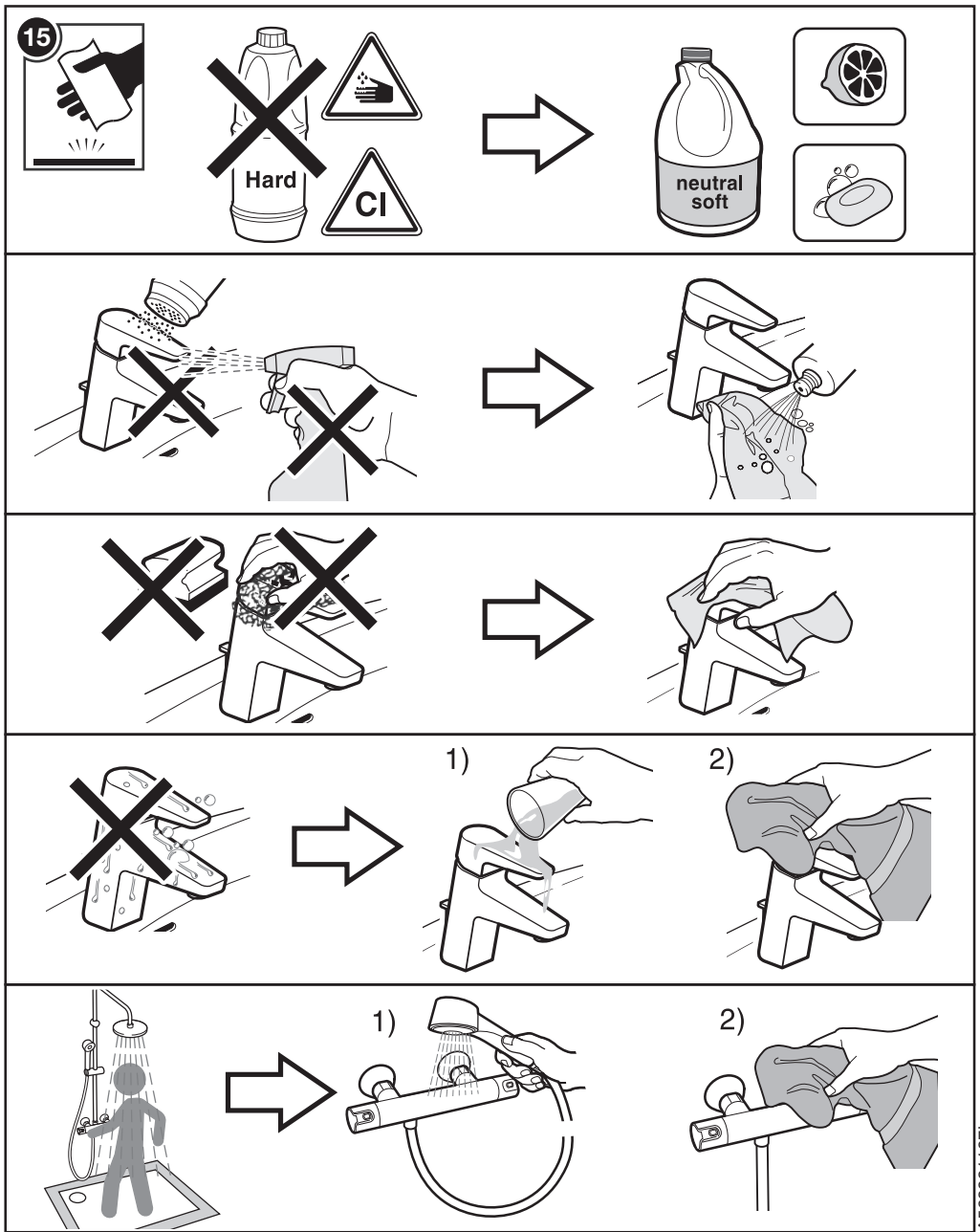
00 Cromado / Chromed

CN Shiny Gold

NM Brushed Black

CM Brushed Stainless Steel

VA Brushed Gold



Roca Sanitaryware (Suzhou) Co., Ltd
 Address: No.16 Xia Sheng Road 215123,
 Suzhou Industry Park, Suzhou, China
 Tel: +86 512 6295 3337
 Fax: +86 512 6295 3799

Roca Sanitario, S.A.
 Avda. Diagonal, 513
 08029 Barcelona
 SPAIN
www.roca.com

933 LÍNEA DE ATENCIÓN
661 AL CONSUMIDOR
266 ESPAÑA
 SERVICIO TÉCNICO
 ESPAÑA



productsupport.rs@roca.net
sopORTEPRODUCTO.rs@roca.net

A563091107h

