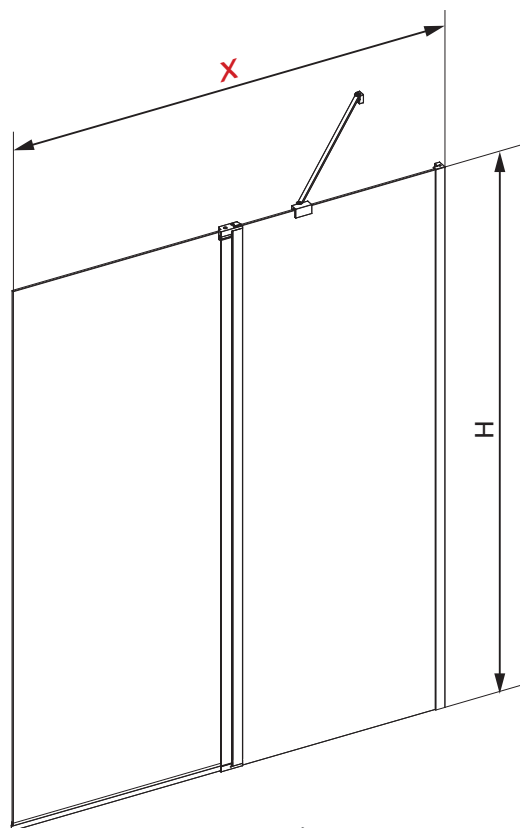
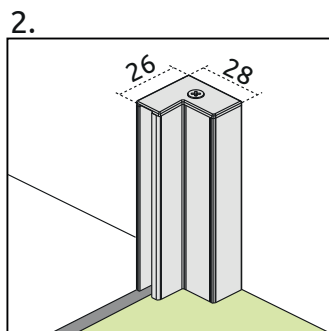
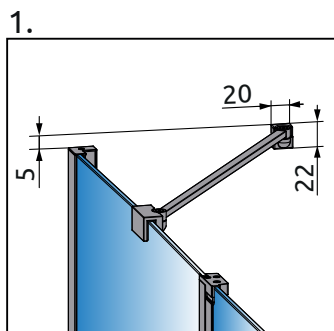


Wariant LEWY  
Variant L



Wariant PRAWY  
Variant R



Model	X	B	C	H
PND II 100	1000-1015	483	493-508	1500
PND II 110	1100-1115	533	543-558	1500
PND II 120	1200-1215	583	593-608	1500
PND II 130	1300-1315	633	643-658	1500
PND II 140	1400-1415	683	693-708	1500

