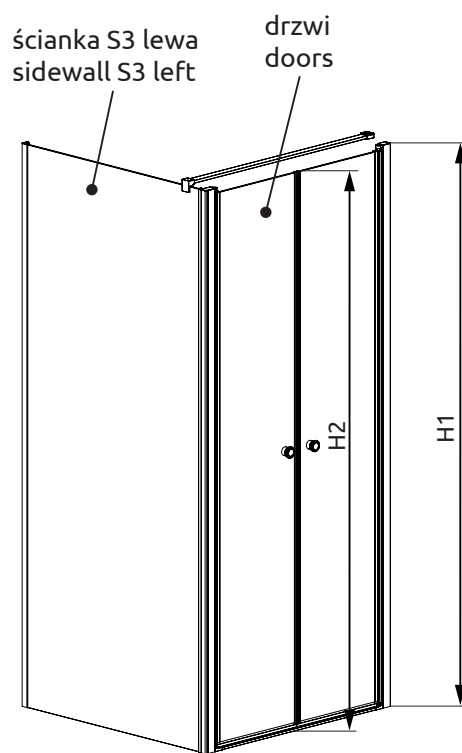
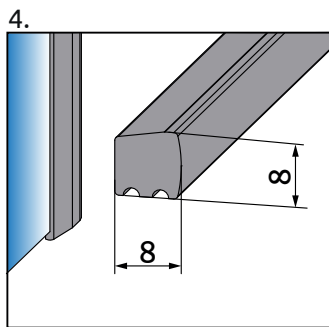
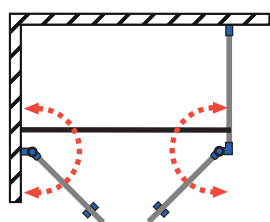


Wariant LEWY  
Variant L



Wariant PRAWY  
Variant R



**DWD+S DRZWI / DWD+S DOORS**

Model	A1	X1	Y1	B	D	H1	H2
DWD+S drzwi 80	800	780-790	775-785	333	668	1970	1950
DWD+S drzwi 90	900	880-890	875-885	383	768	1970	1950
DWD+S drzwi 100	1000	980-990	975-985	433	868	1970	1950
DWD+S drzwi 110	1100	1080-1090	1075-1085	483	968	1970	1950
DWD+S drzwi 120	1200	1180-1190	1175-1185	533	1068	1970	1950

**ŚCIANKA S3 /  
SIDEWALL S3**

Model	A2	X2	Y2
S3 70	700	675-690	663-678
S3 75	750	725-740	713-728
S3 80	800	775-790	763-778
S3 90	900	875-890	863-878
S3 100	1000	975-990	963-978

