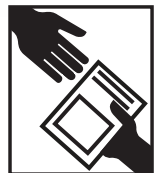
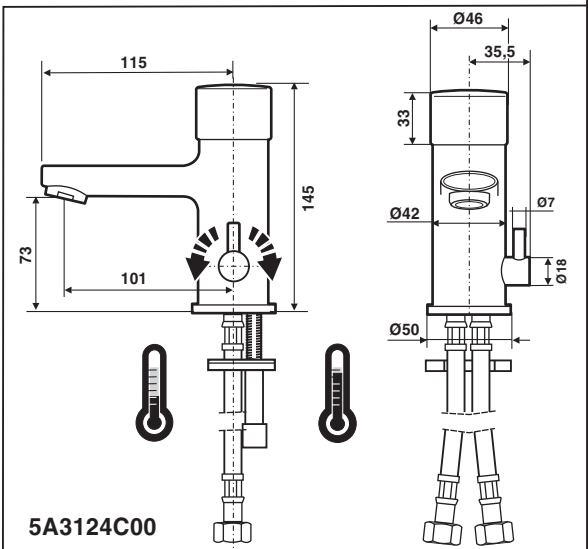
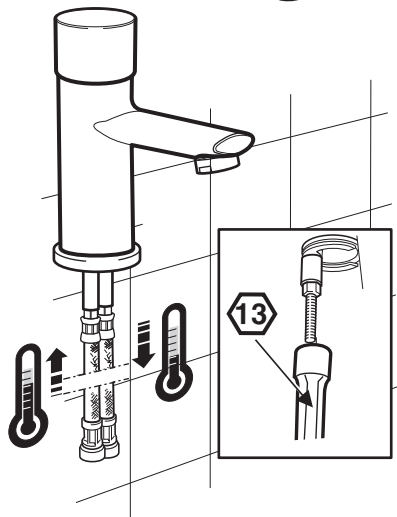
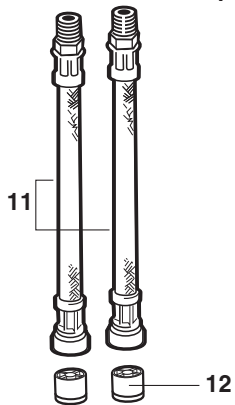
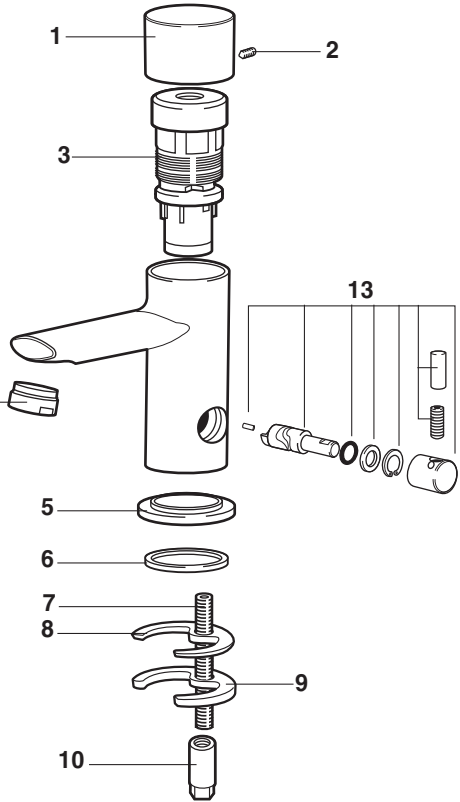
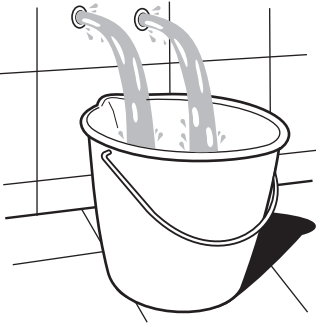


Roca

SPRINT-N

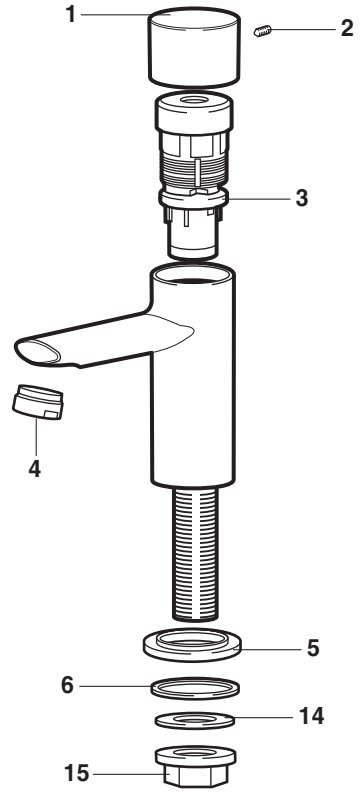
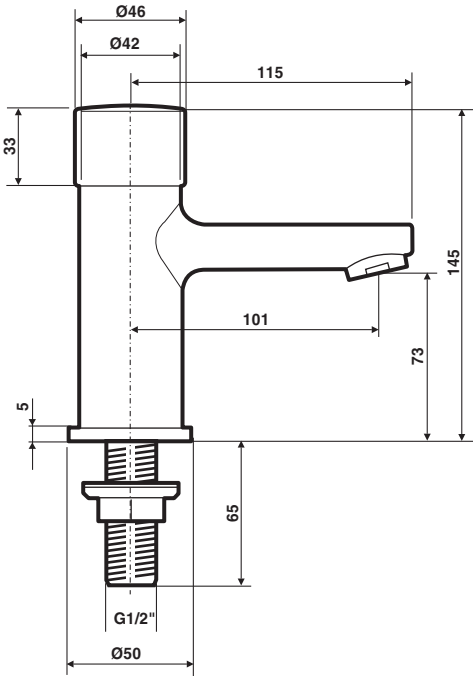
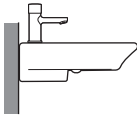


1

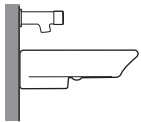


5A3124C00

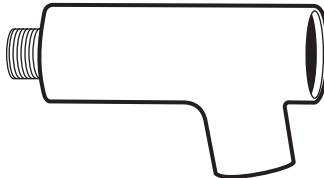
2



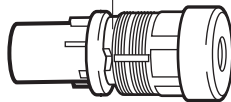
5A4224C00



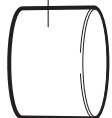
20



18



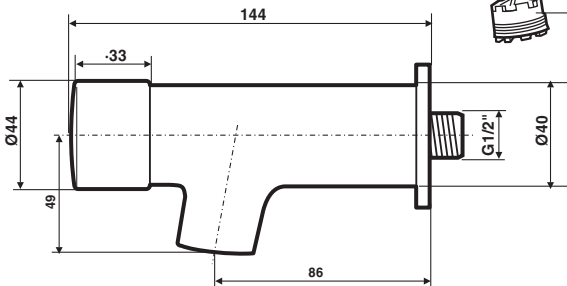
16



17

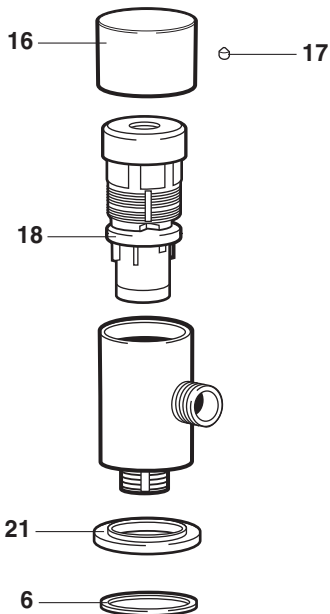
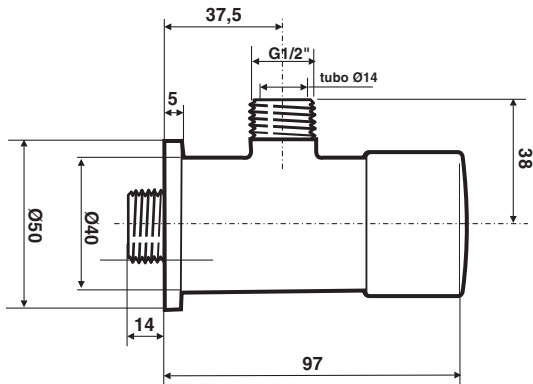


19

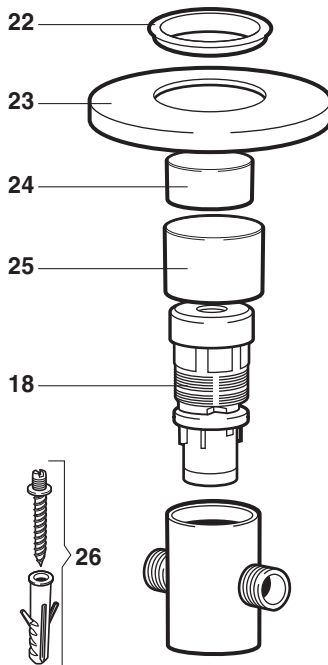
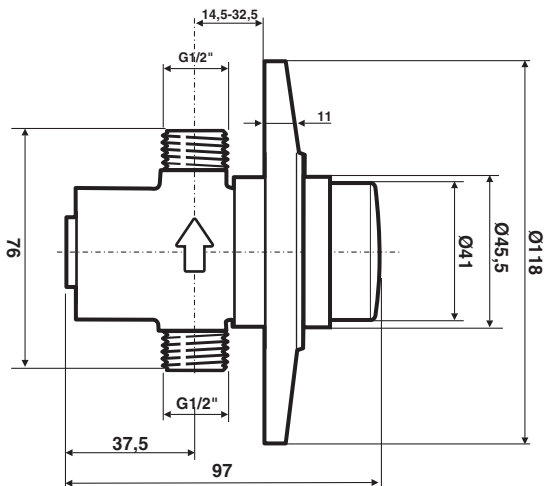


5A7824C00

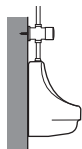
3



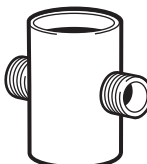
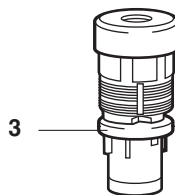
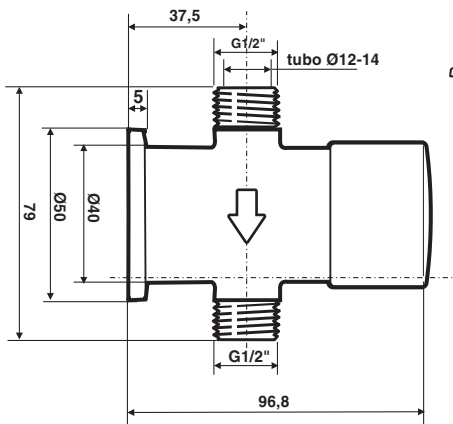
5A2724C00



5A2624C00

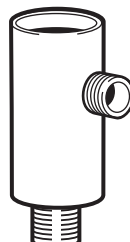
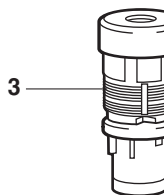
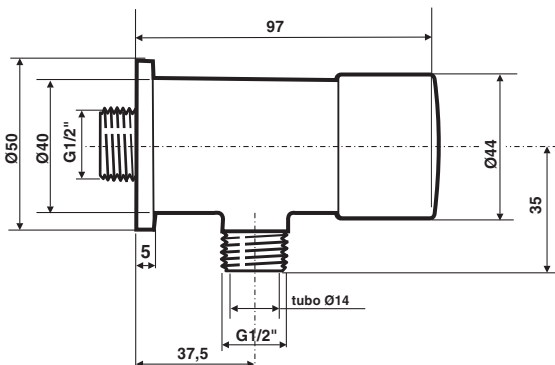
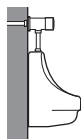


5A9317C00

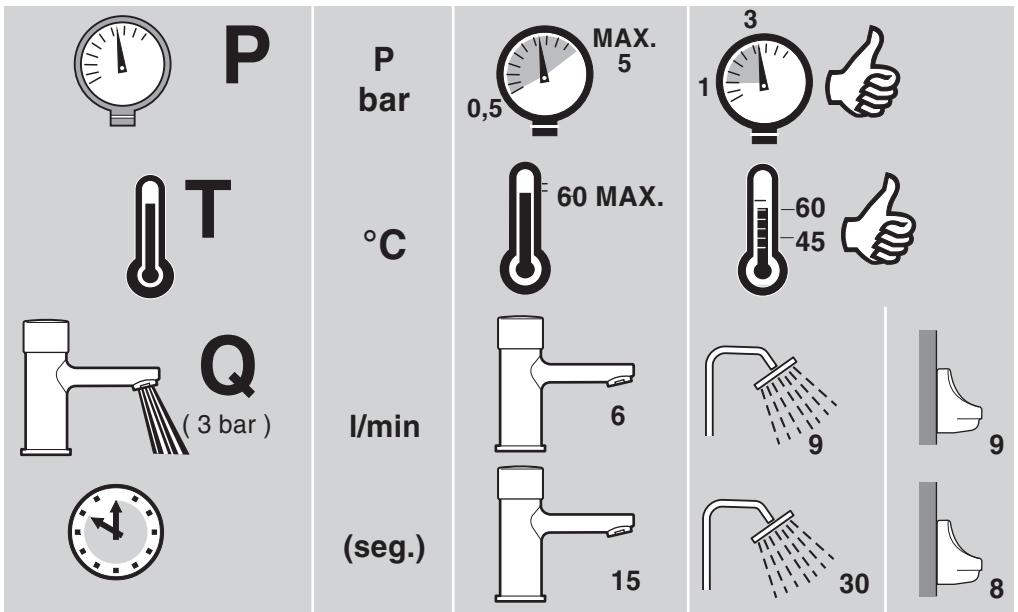
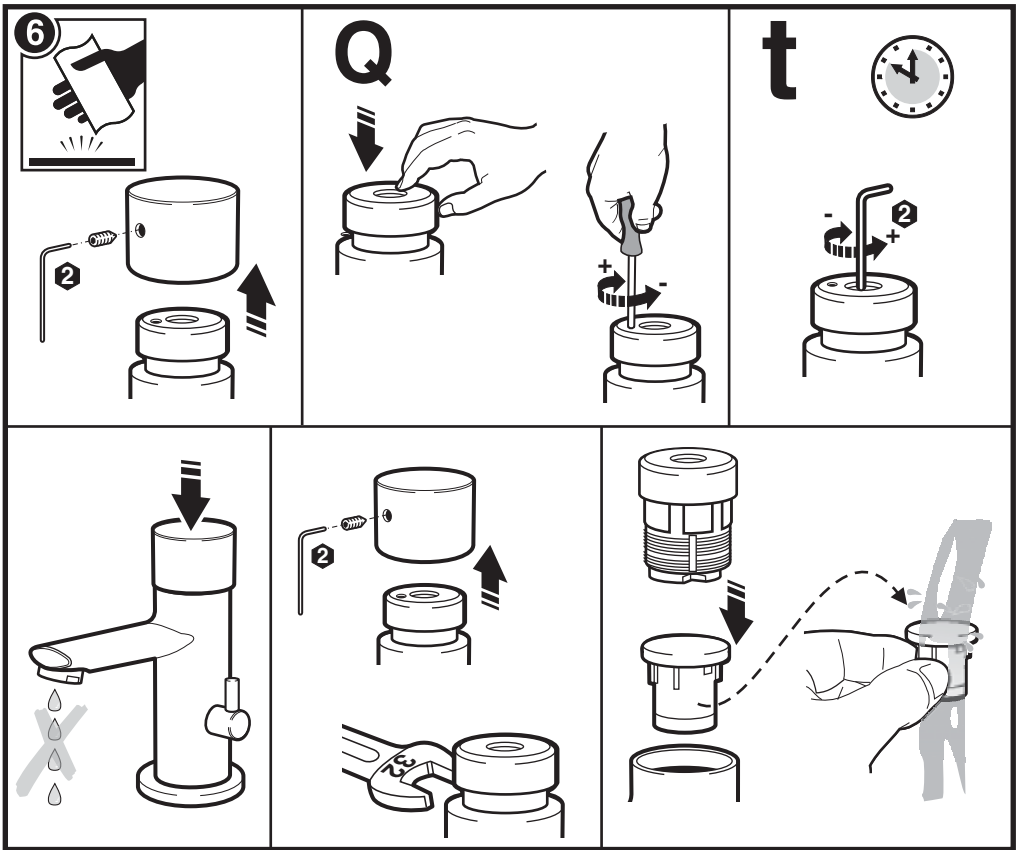


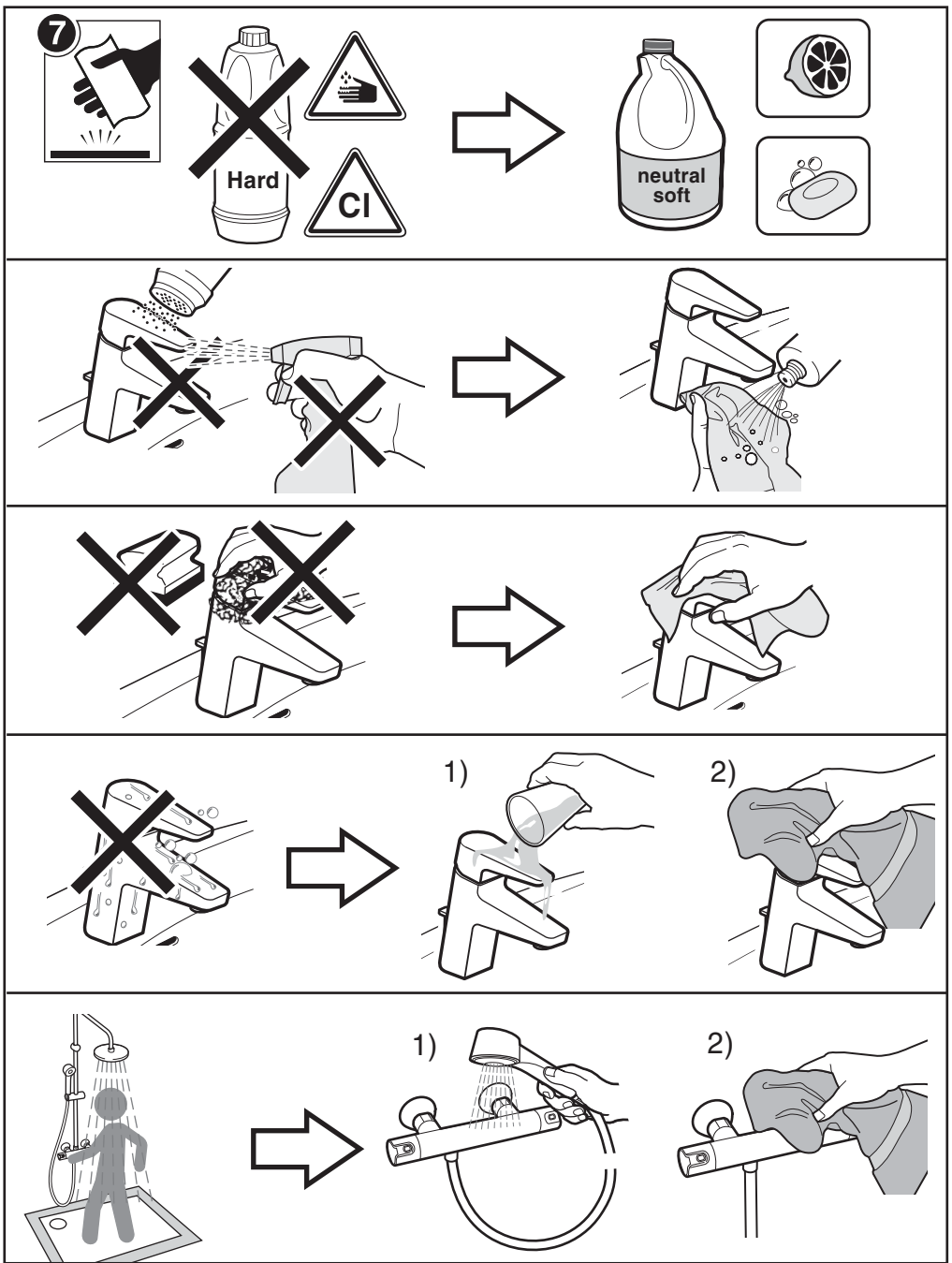
5A9124C00

5A9317C00



5A9224C00





Roca Sanitario, S.A.
 Avda. Diagonal, 513 -08029 Barcelona - SPAIN
 Teléfono 93 366 1200 - Fax 93 419 4501-
 www.roca.es

Roca