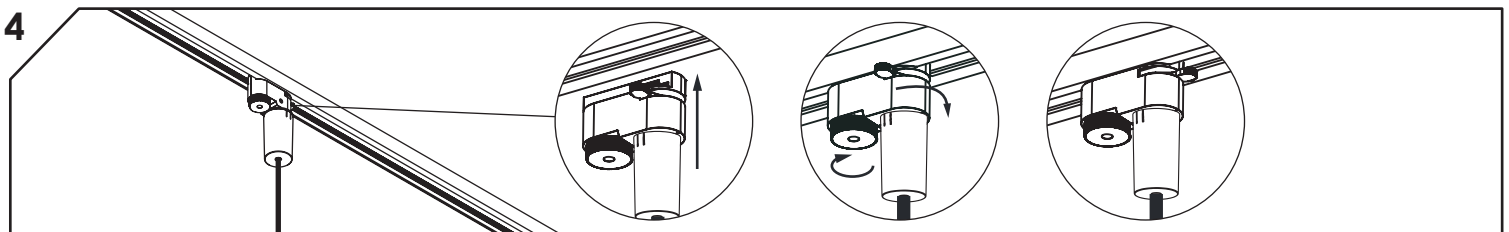
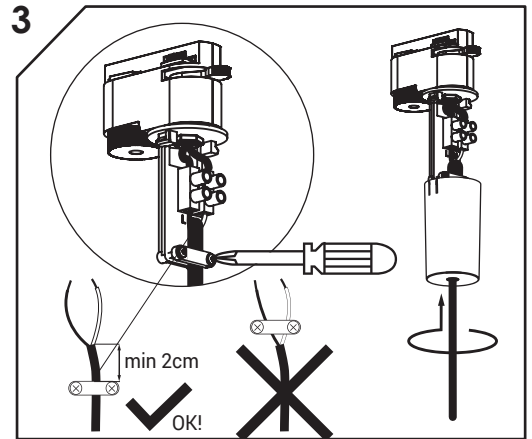
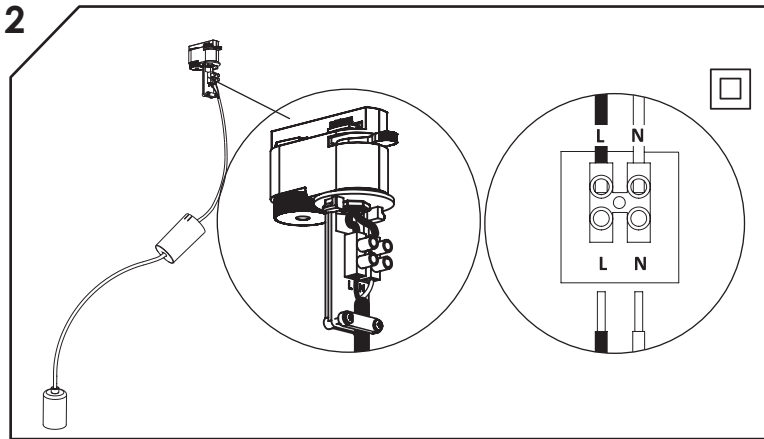
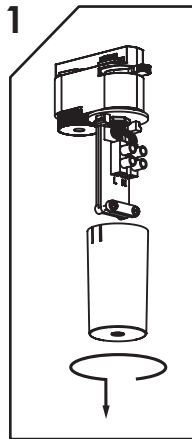
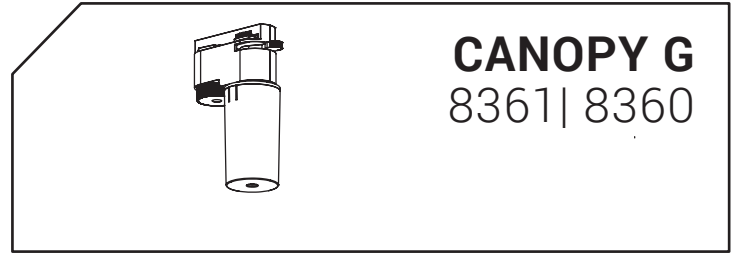
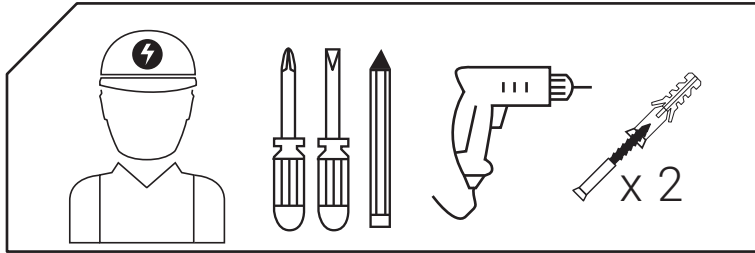


WARNING! THIS CANOPY IS DESIGNED TO WORK ONLY WITH CAMELEON CABLES AND CAMELEON SHADES.

THE FIXTURE MAY ONLY BE INSTALLED AND CONNECTED BY PERSONS QUALIFIED FOR WORK WITH ELECTRICAL EQUIPMENT.



WARNING! THIS CANOPY IS DESIGNED TO WORK ONLY WITH CAMELEON CABLES AND CAMELEON SHADES.

THE FIXTURE MAY ONLY BE INSTALLED AND CONNECTED BY PERSONS QUALIFIED FOR WORK WITH ELECTRICAL EQUIPMENT.

