

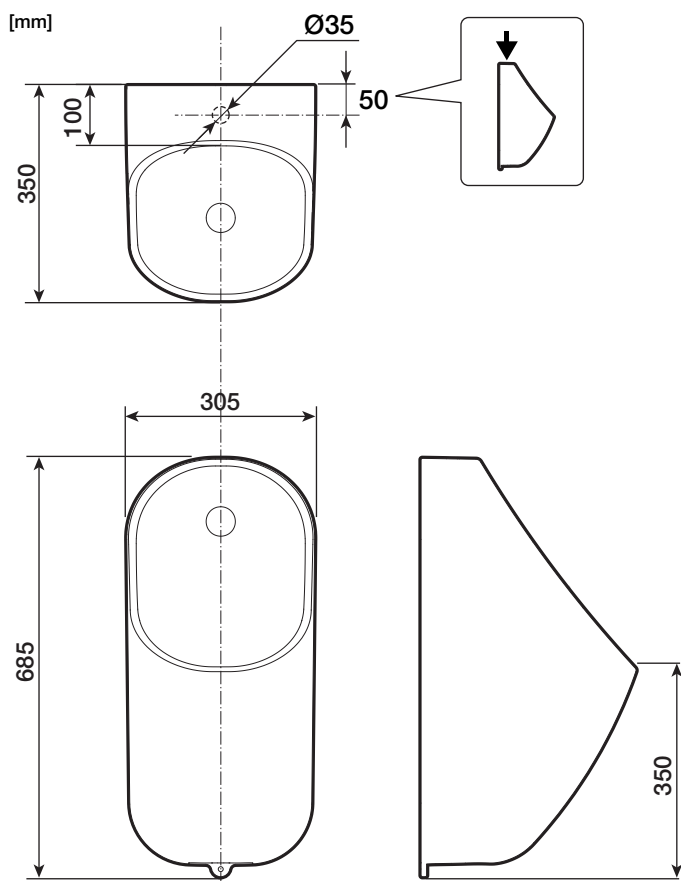


URINAL SIZE-M

A3590J4000
A3590J400C (CN)

A3590J5000
A3590J500C (CN)

1	- AV0053500R	
1	- AV0053600R	
2	- AV0049700R	
3	- AV0053900R (600mm)	
3	- AV0053800R (400mm)	
4	- AV0029200R	
5	- AV0054300R	
6	- AV0053700R	
7	- AV0054100R	
7	- AG0089100R	
8	- AV0054200R	
9	- AV0054400R	
10	- AV0054500R	
11	- AG0102703R	
12	- AG0102803R	
13	- AG0093107R	

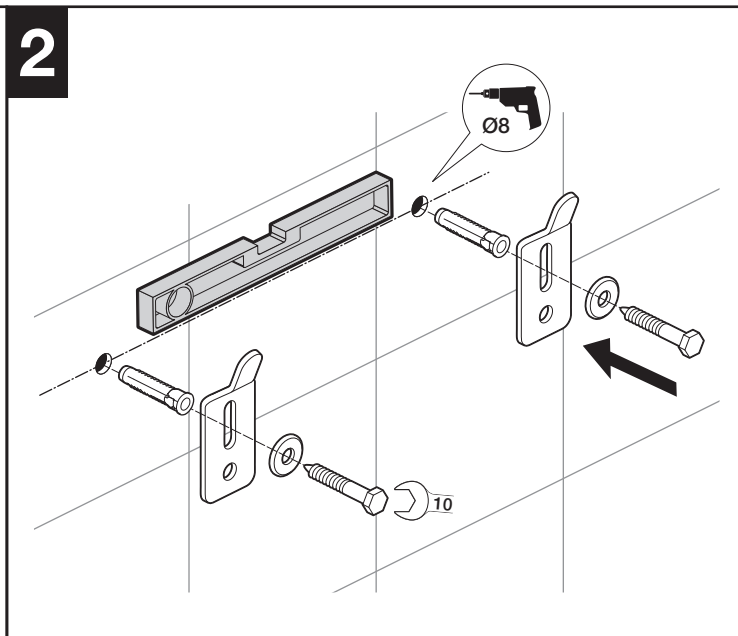
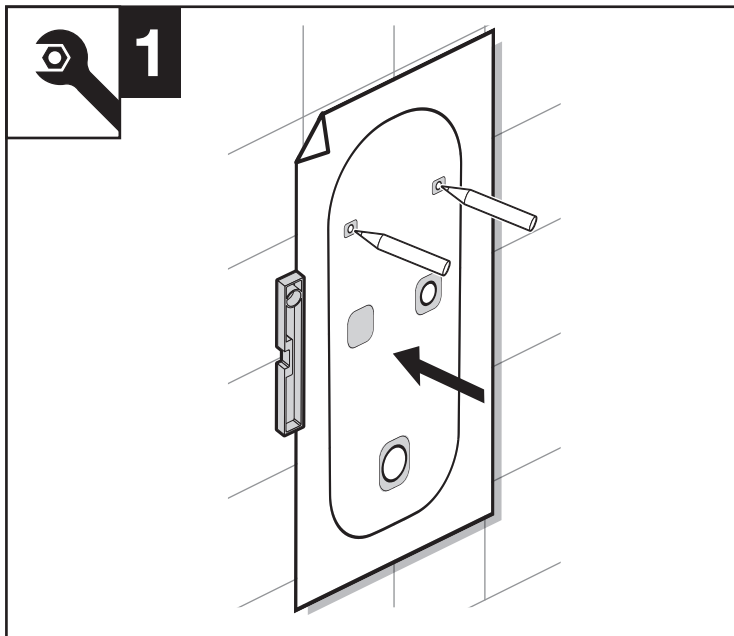
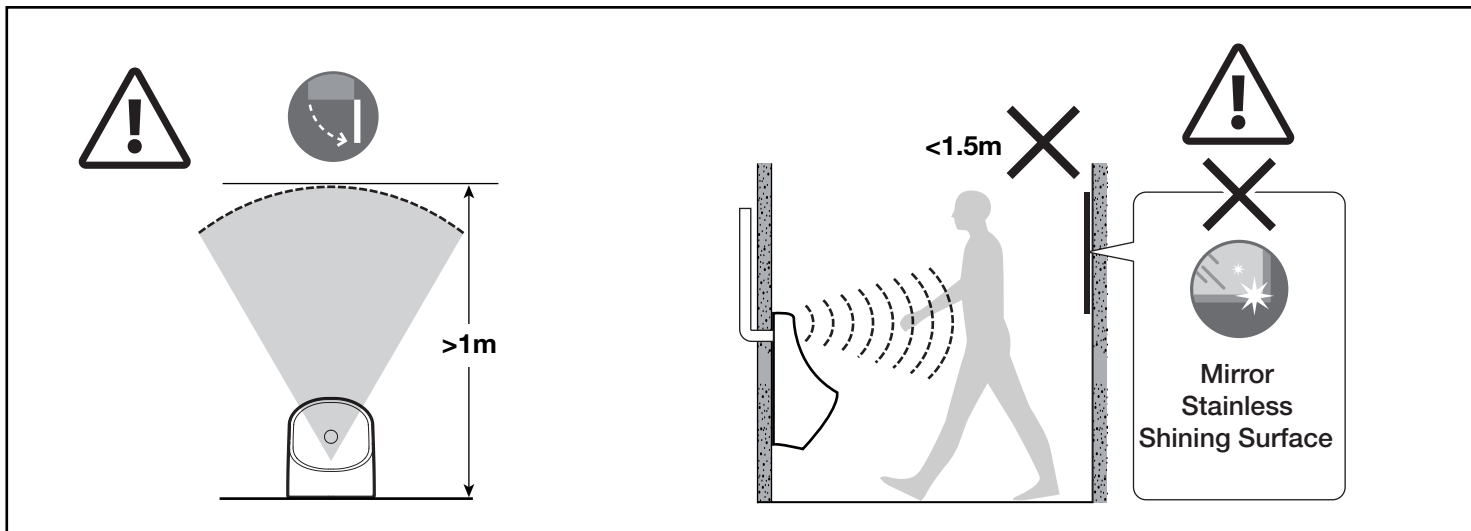
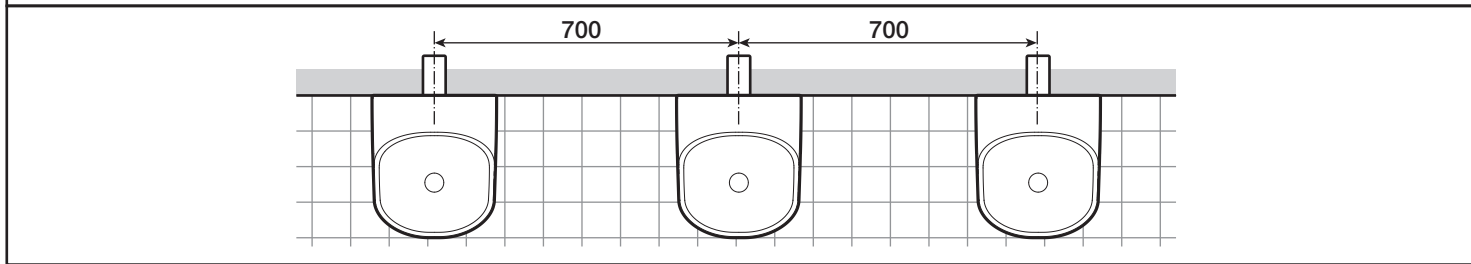
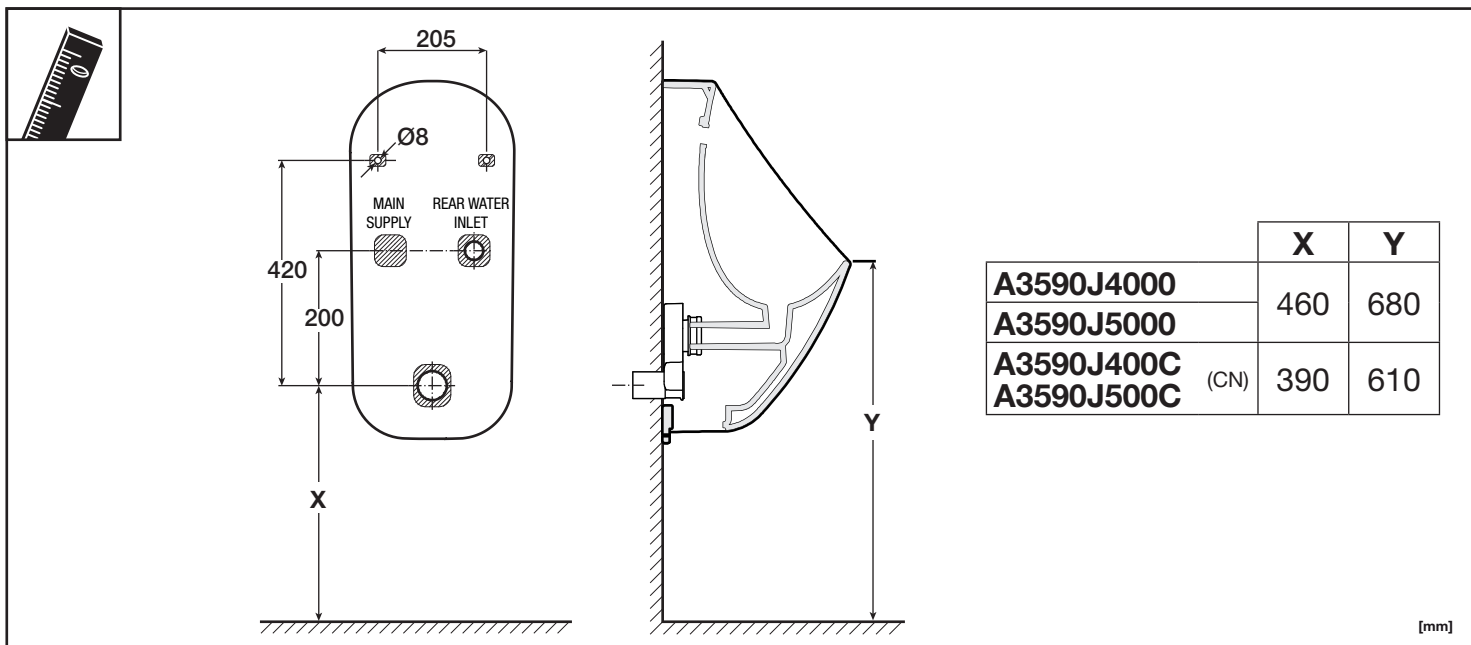


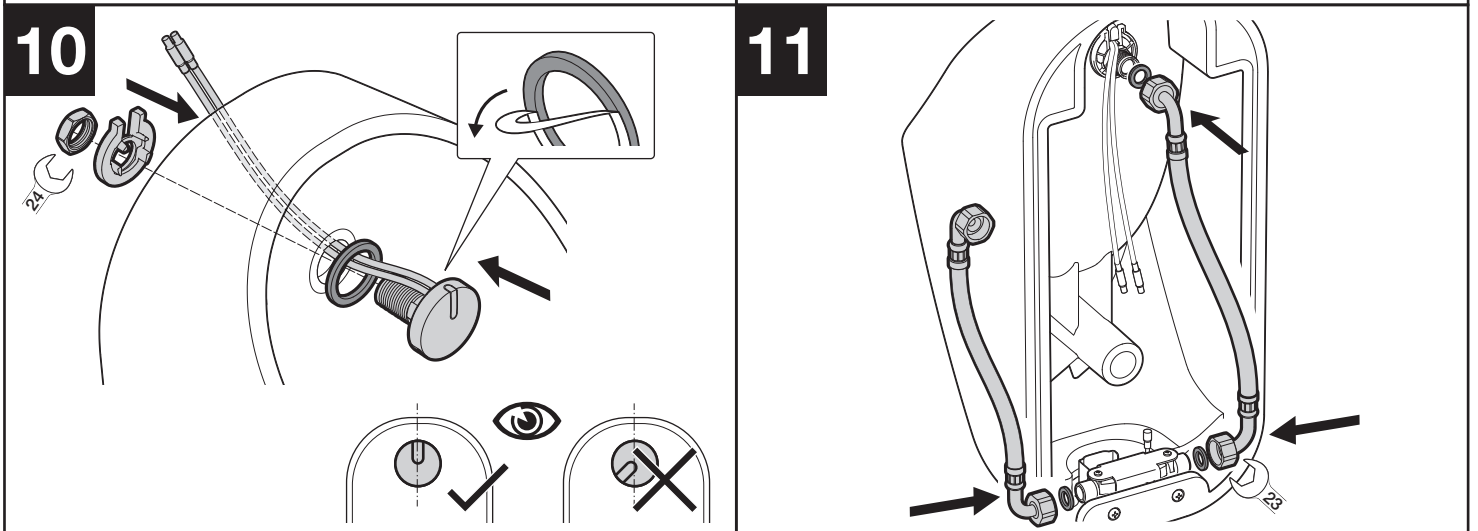
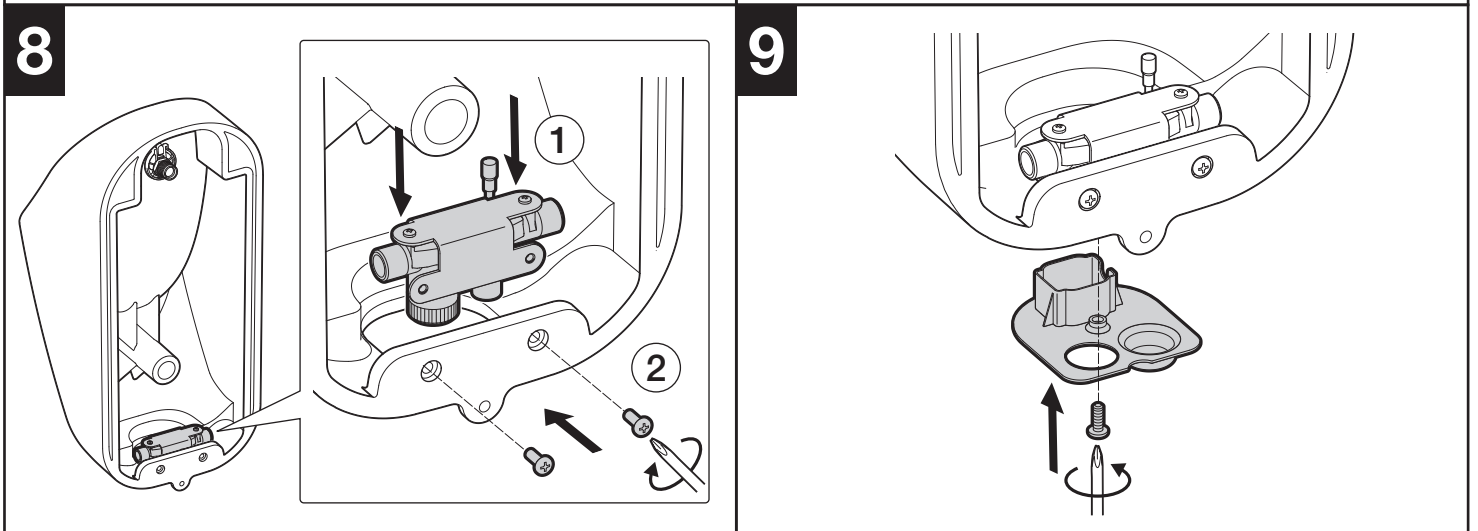
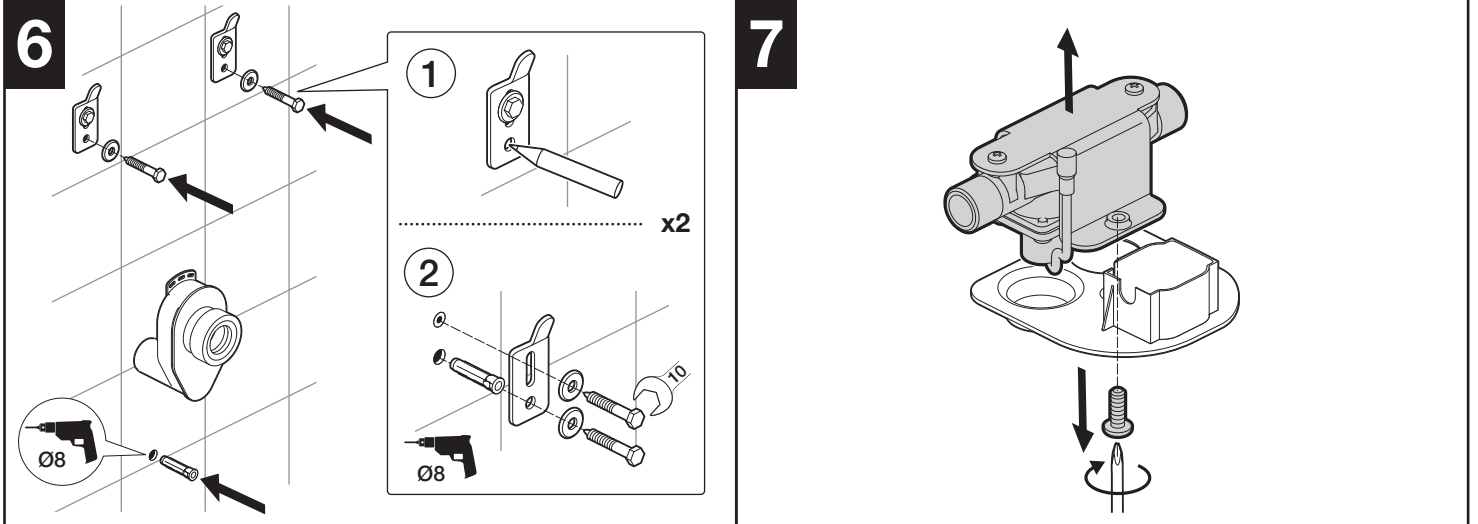
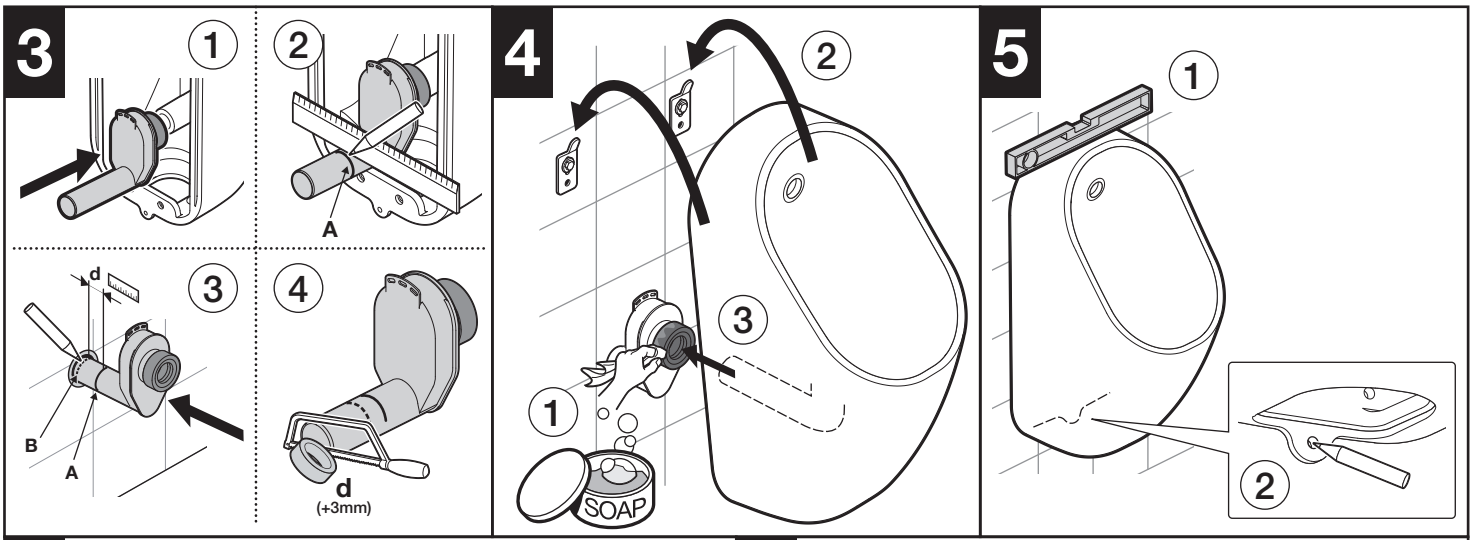
[mm]

≥150

<150

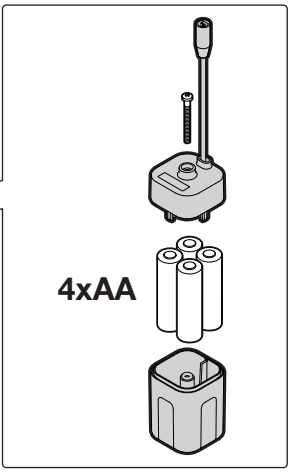
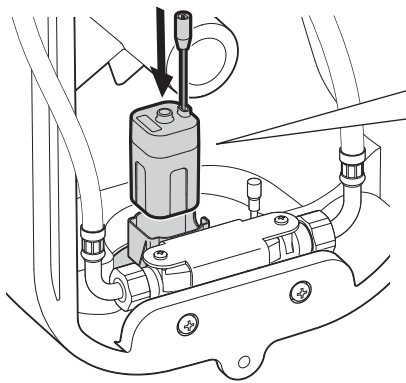
A890094100



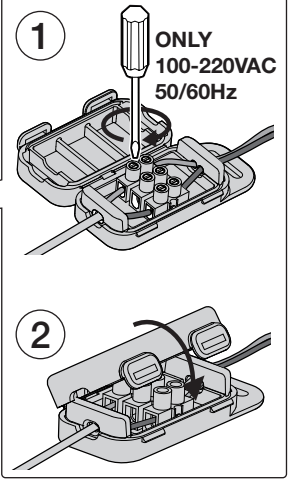
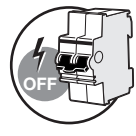
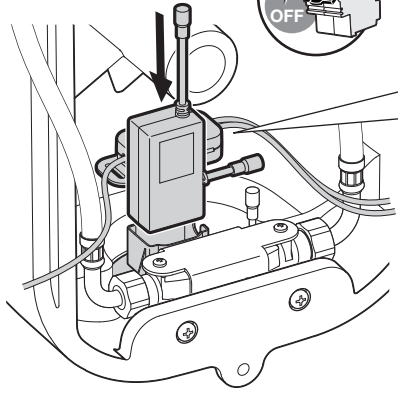


11

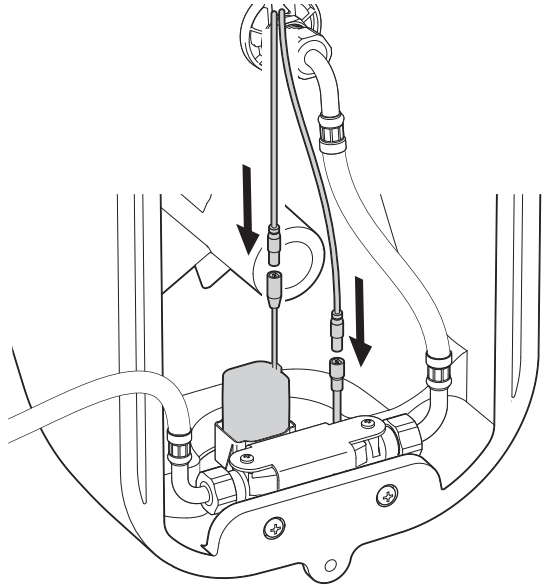
A3590J4000
A3590J400C (CN)



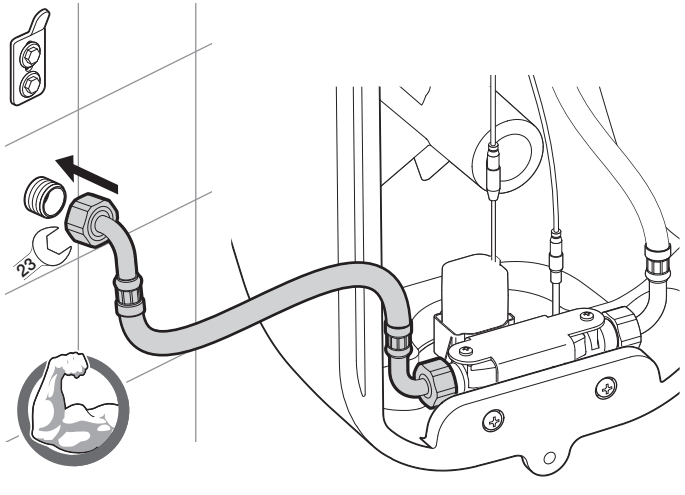
A3590J5000
A3590J500C (CN)



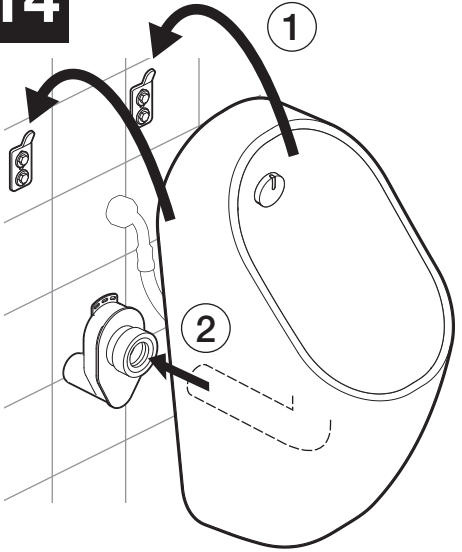
12



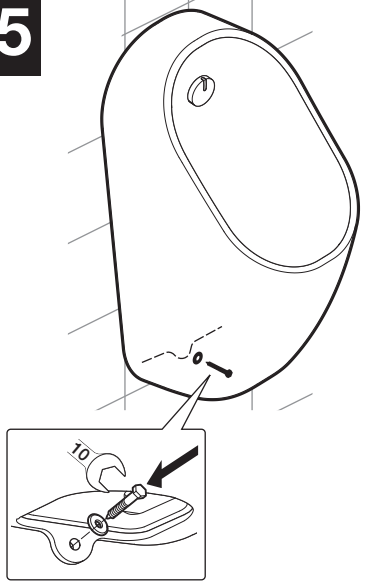
13



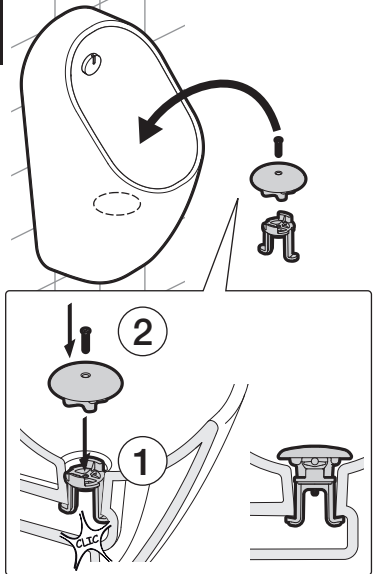
14



15



16



Roca Sanitario, S.A.
Avda. Diagonal, 513
08029 Barcelona
SPAIN
www.roca.com

933 LÍNEA DE ATENCIÓN
661 AL CONSUMIDOR
266 ESPAÑA
SERVICIO TÉCNICO
ESPAÑA



productsupport.rs@roca.net
soporteproducto.rs@roca.net

A392502820a