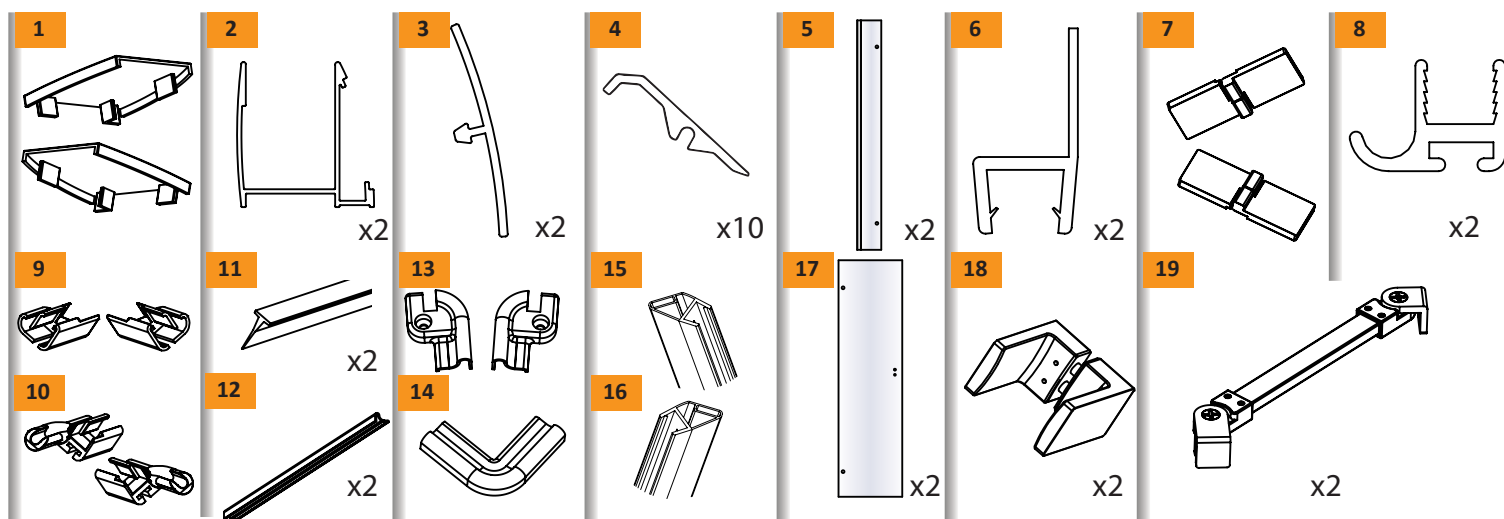
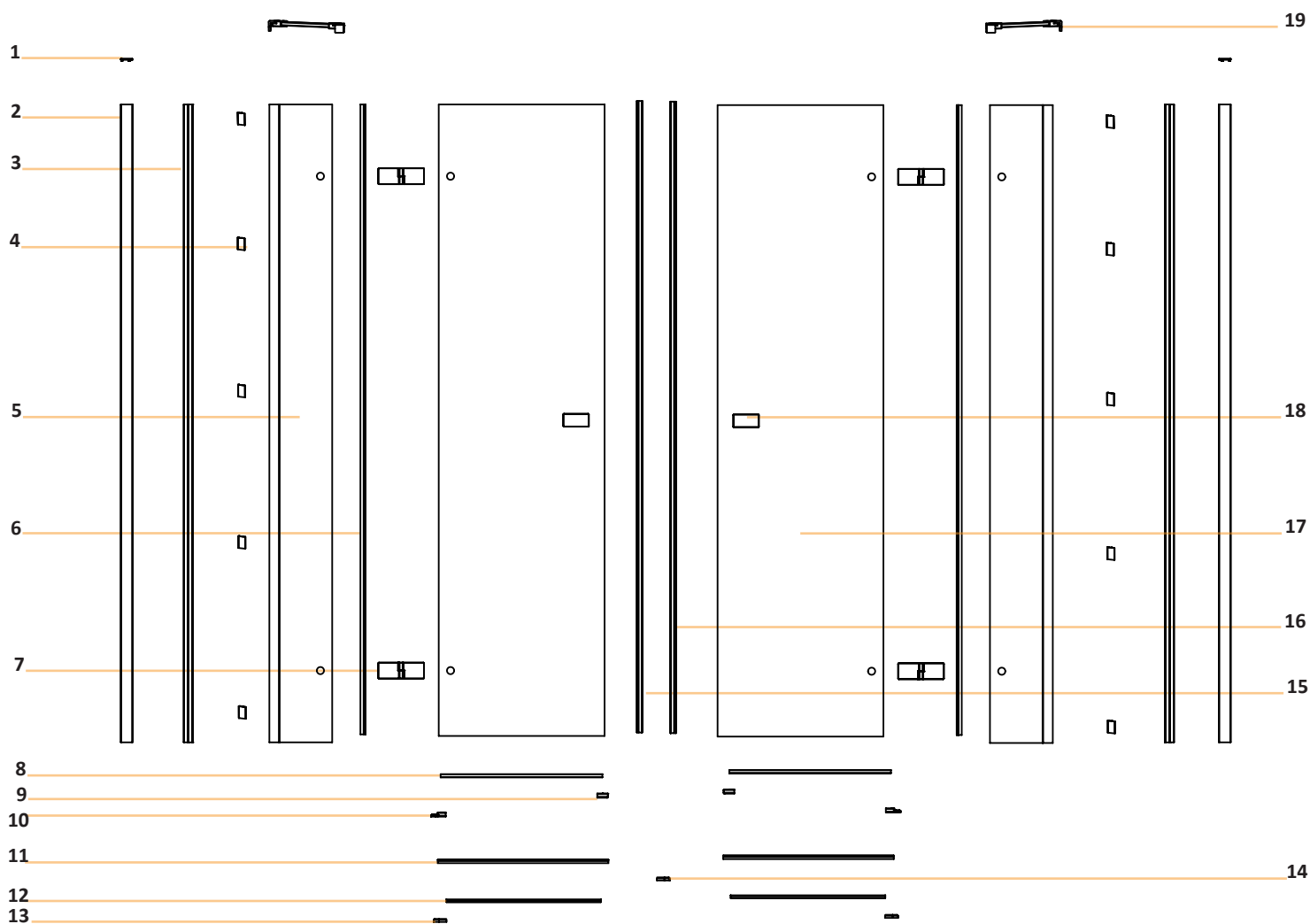
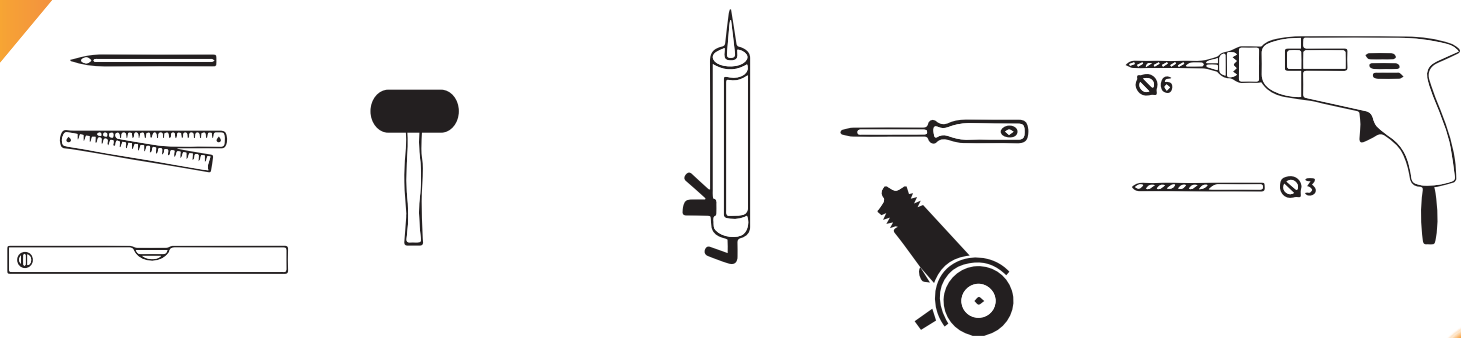


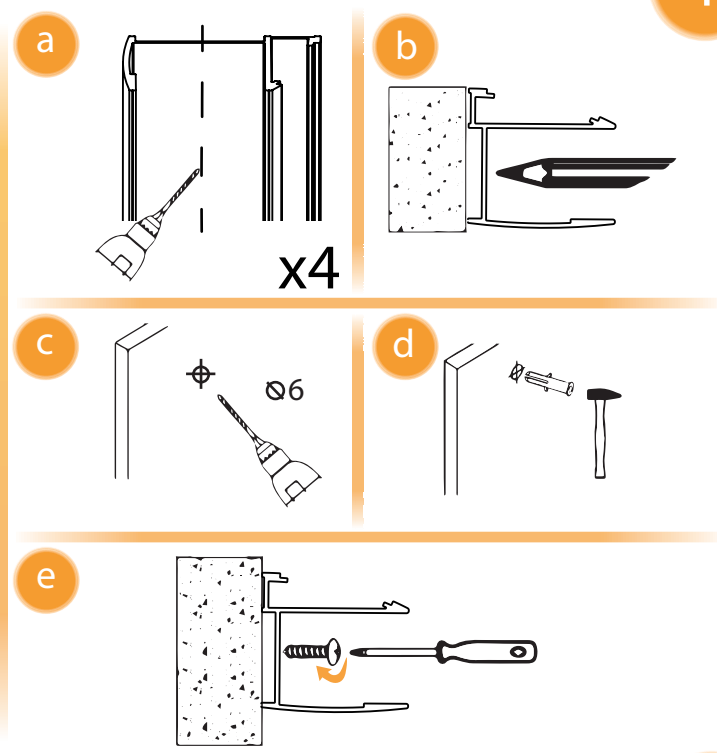
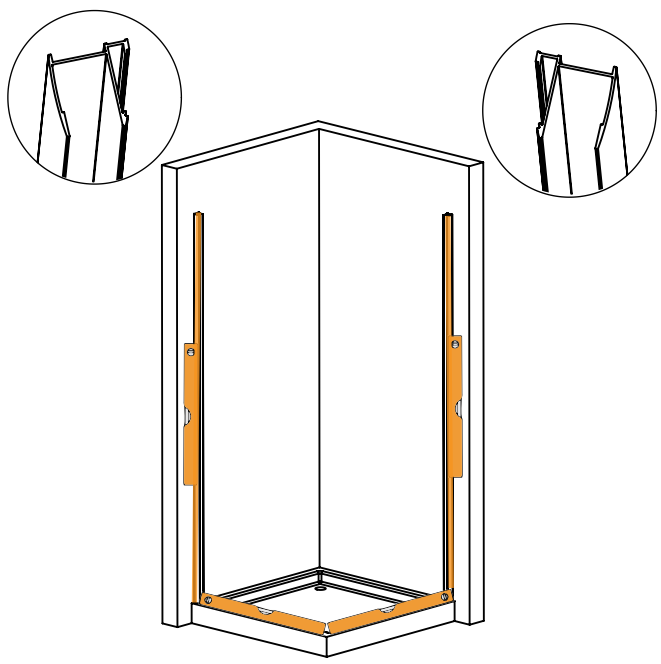


## REFLEXA



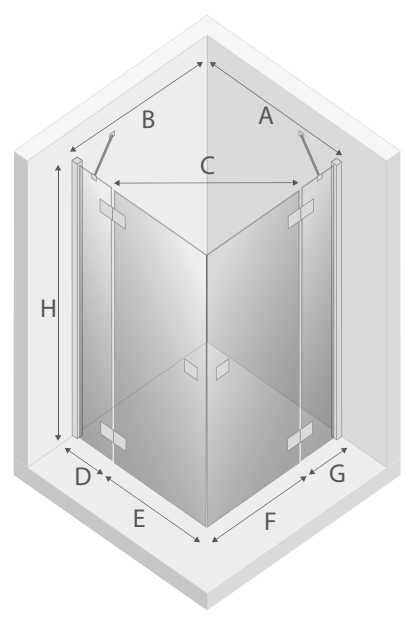


1



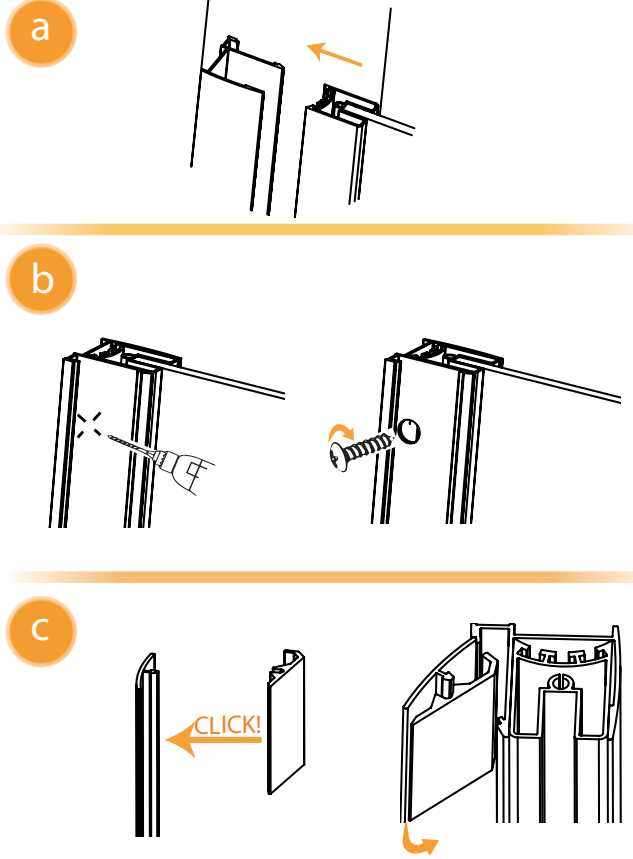
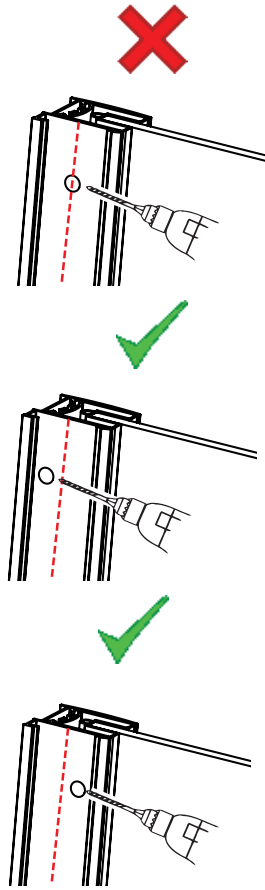
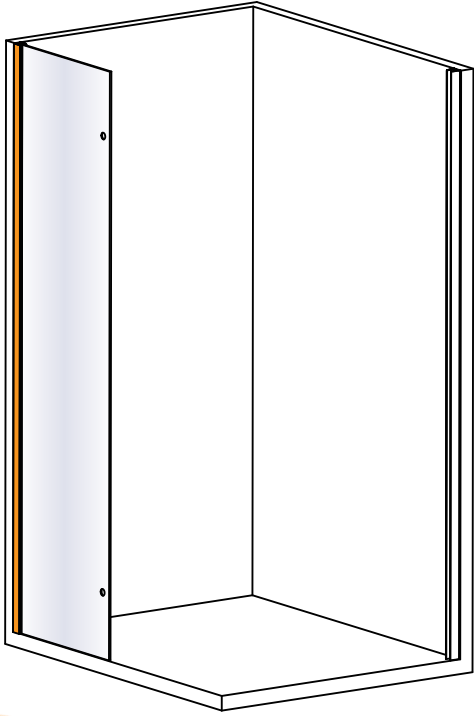
2

		A	B	C	D	E	F	G	H
EXK-1236/EXK-1241	80x80x200	78,5-80	78,5-80	75	24	53	53	24	200
EXK-1236/EXK-1242	80x90x200	78,5-80	88,5-90	75	24	53	53	34	200
EXK-1236/EXK-1243	80x100x200	78,5-80	98,5-100	82	24	53	63	34	200
EXK-1236/EXK-1244	80x120x200	78,5-80	118,5-120	82	24	53	63	54	200
EXK-1237/EXK-1241	90x80x200	88,5-90	78,5-80	75	34	53	53	24	200
EXK-1237/EXK-1242	90x90x200	88,5-90	88,5-90	75	34	53	53	34	200
EXK-1237/EXK-1243	90x100x200	88,5-90	98,5-100	82	34	53	63	34	200
EXK-1237/EXK-1244	90x120x200	88,5-90	118,5-120	82	34	53	63	54	200
EXK-1238/EXK-1241	100x80x200	98,5-100	78,5-80	82	34	63	53	24	200
EXK-1238/EXK-1242	100x90x200	98,5-100	88,5-90	82	34	63	53	34	200
EXK-1238/EXK-1243	100x100x200	98,5-100	98,5-100	89	34	63	63	34	200
EXK-1238/EXK-1244	100x120x200	98,5-100	118,5-120	89	34	63	63	54	200
EXK-1240/EXK-1241	120x80x200	118,5-120	78,5-80	82	54	63	53	24	200
EXK-1240/EXK-1242	120x90x200	118,5-120	88,5-90	82	54	63	53	34	200
EXK-1240/EXK-1243	120x100x200	118,5-120	98,5-100	89	54	63	63	34	200
EXK-1240/EXK-1244	120x120x200	118,5-120	118,5-120	89	54	63	63	54	200



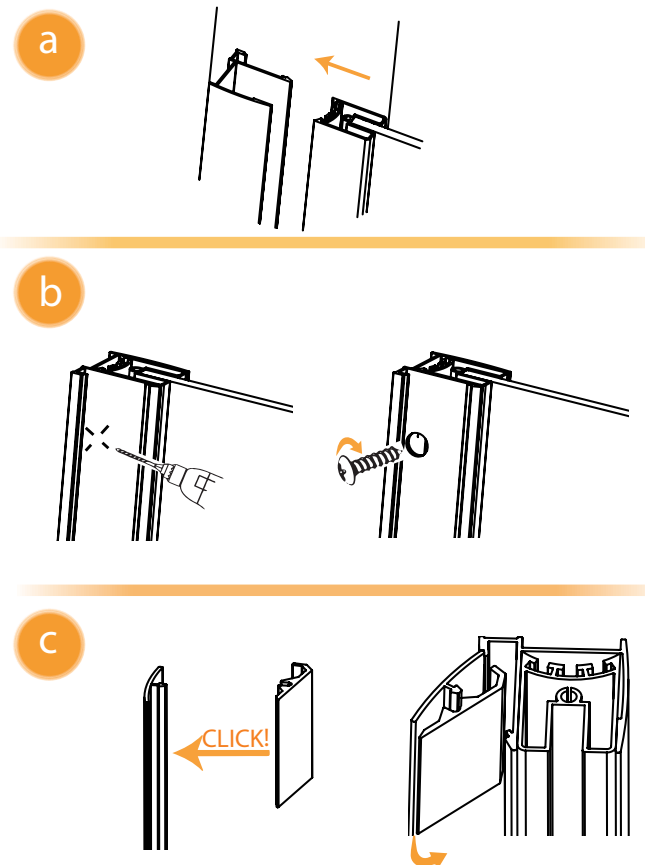
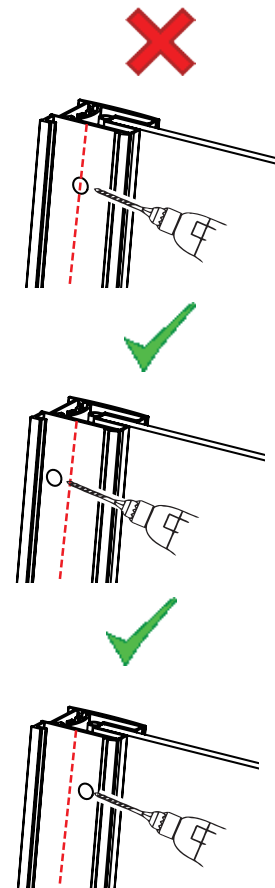
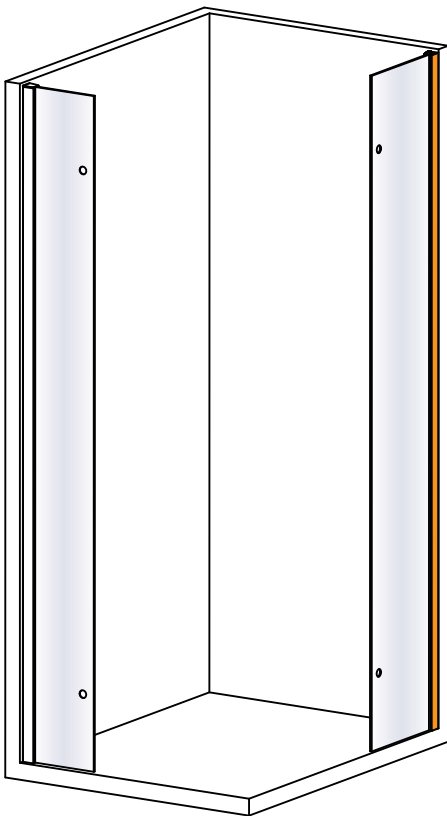
3

Active Shield  
INSIDE

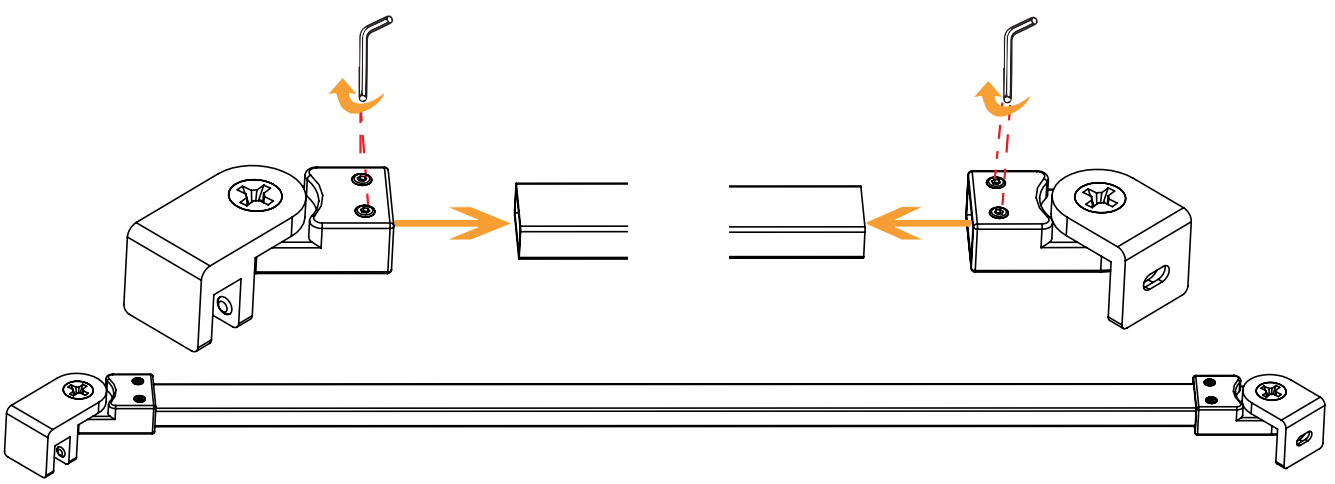
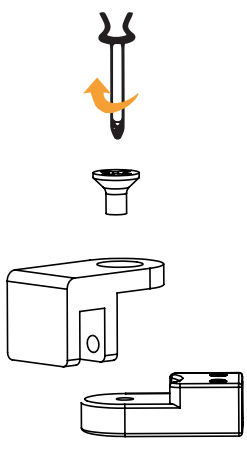
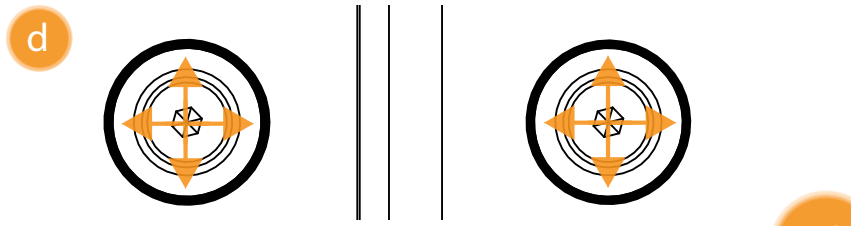
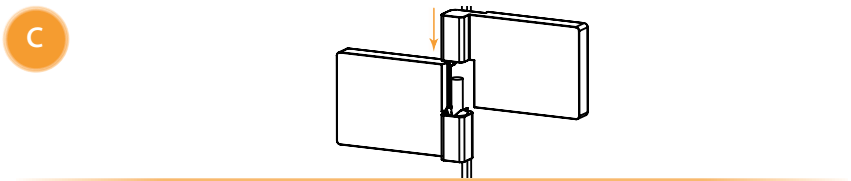
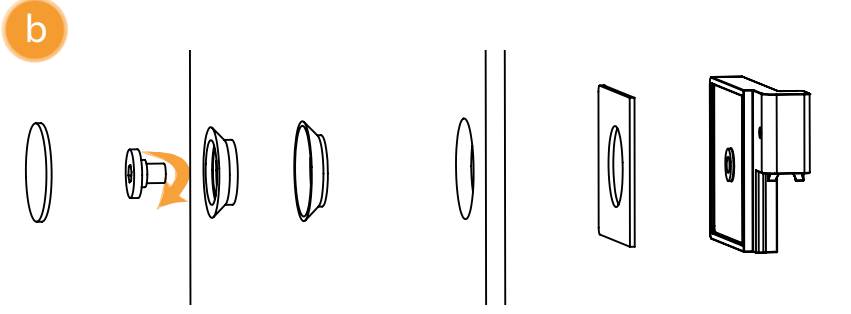
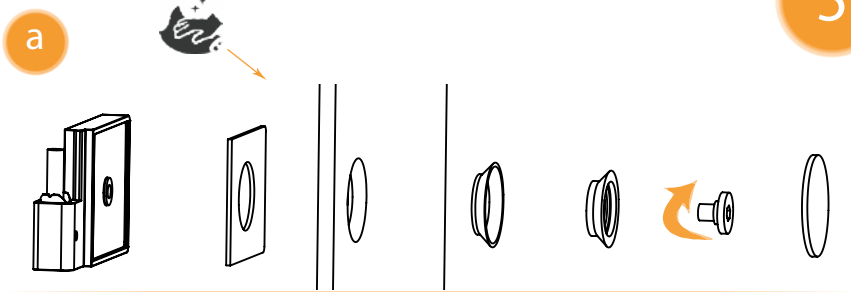
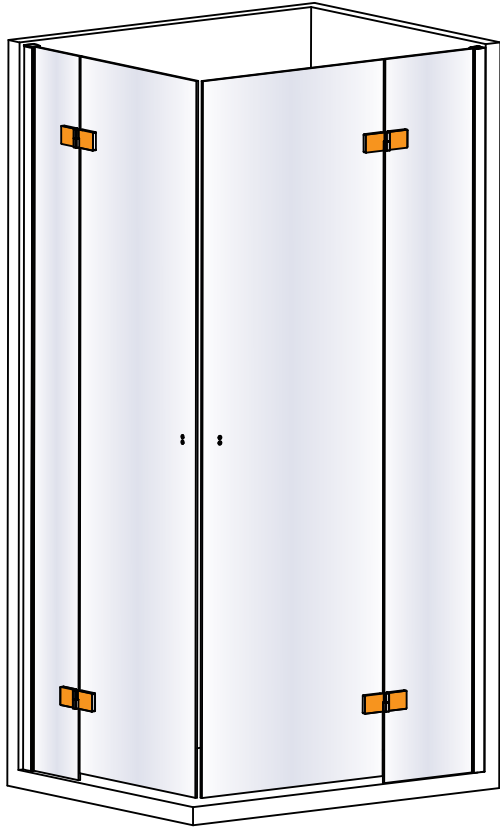


4

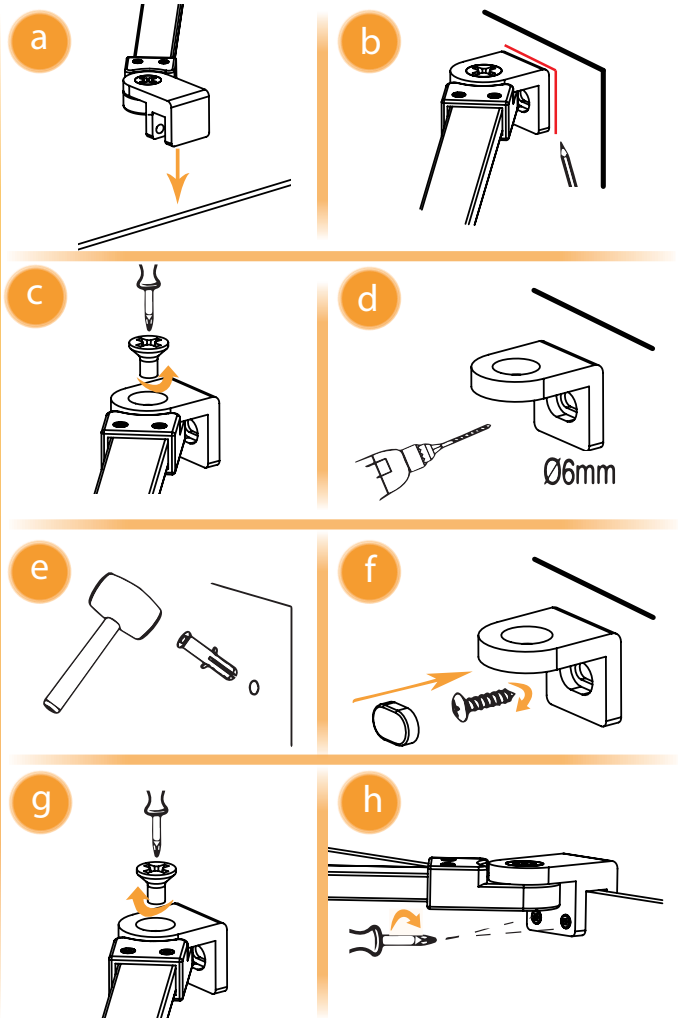
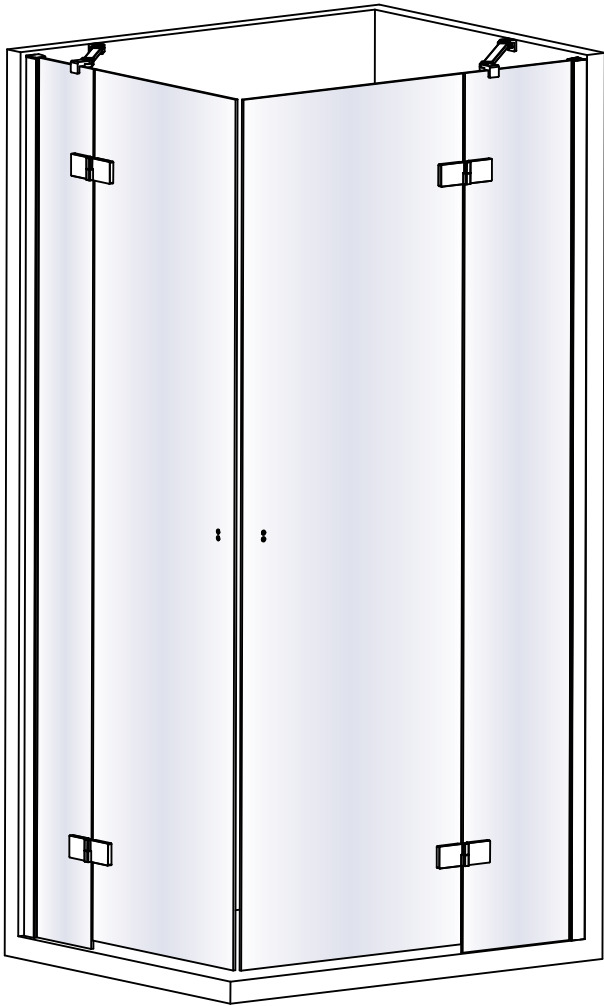
Active Shield  
INSIDE



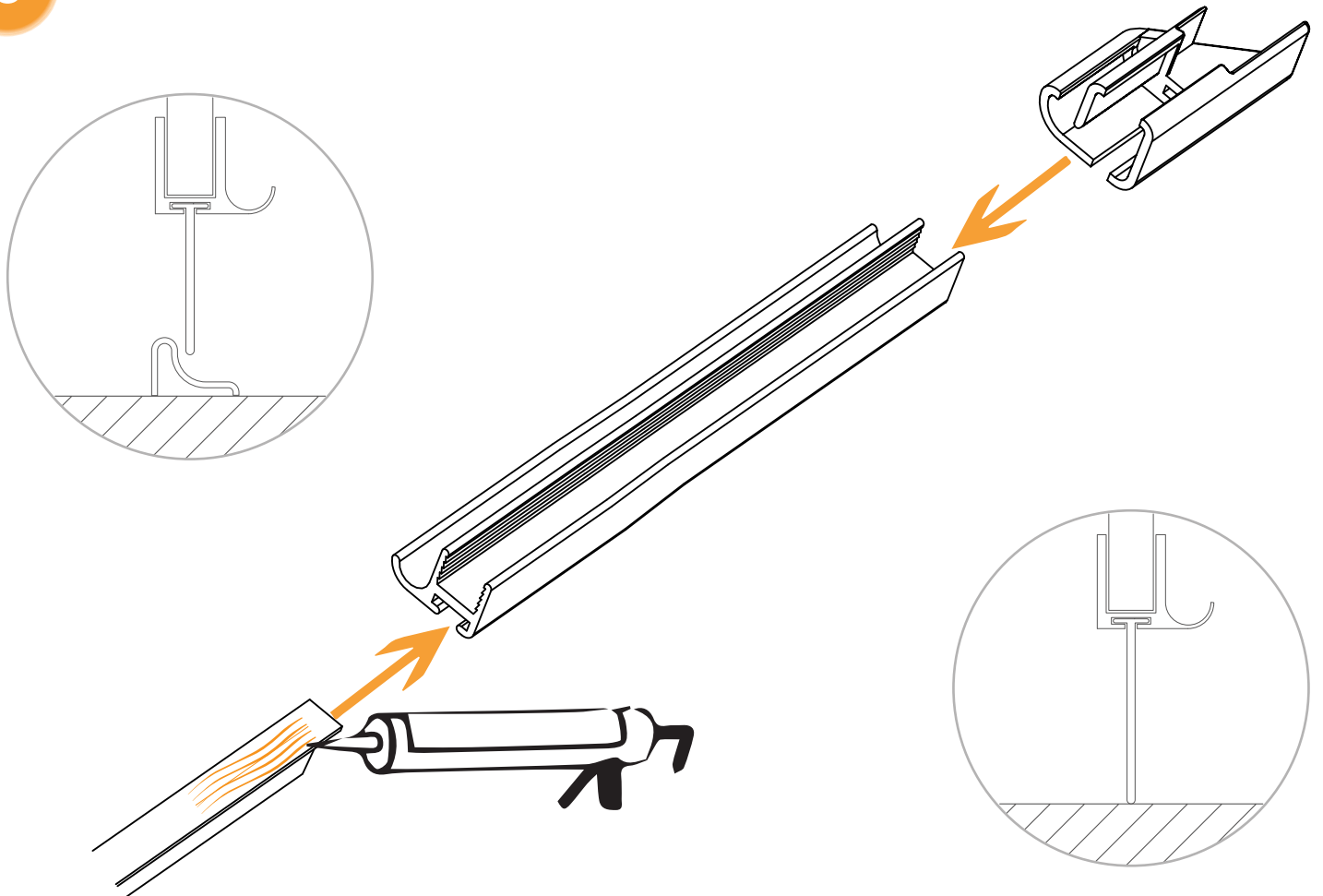
Active Shield  
INSIDE

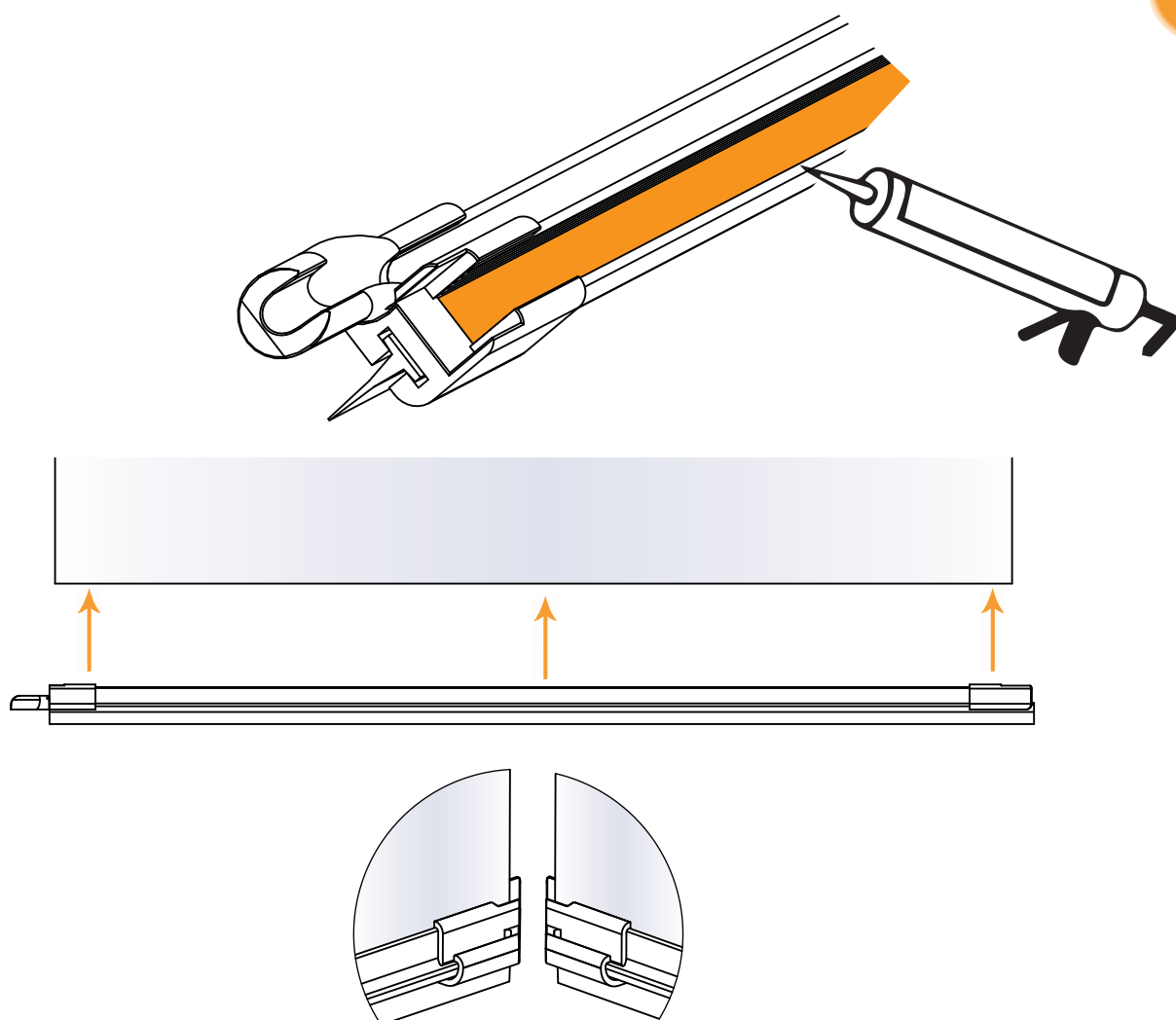
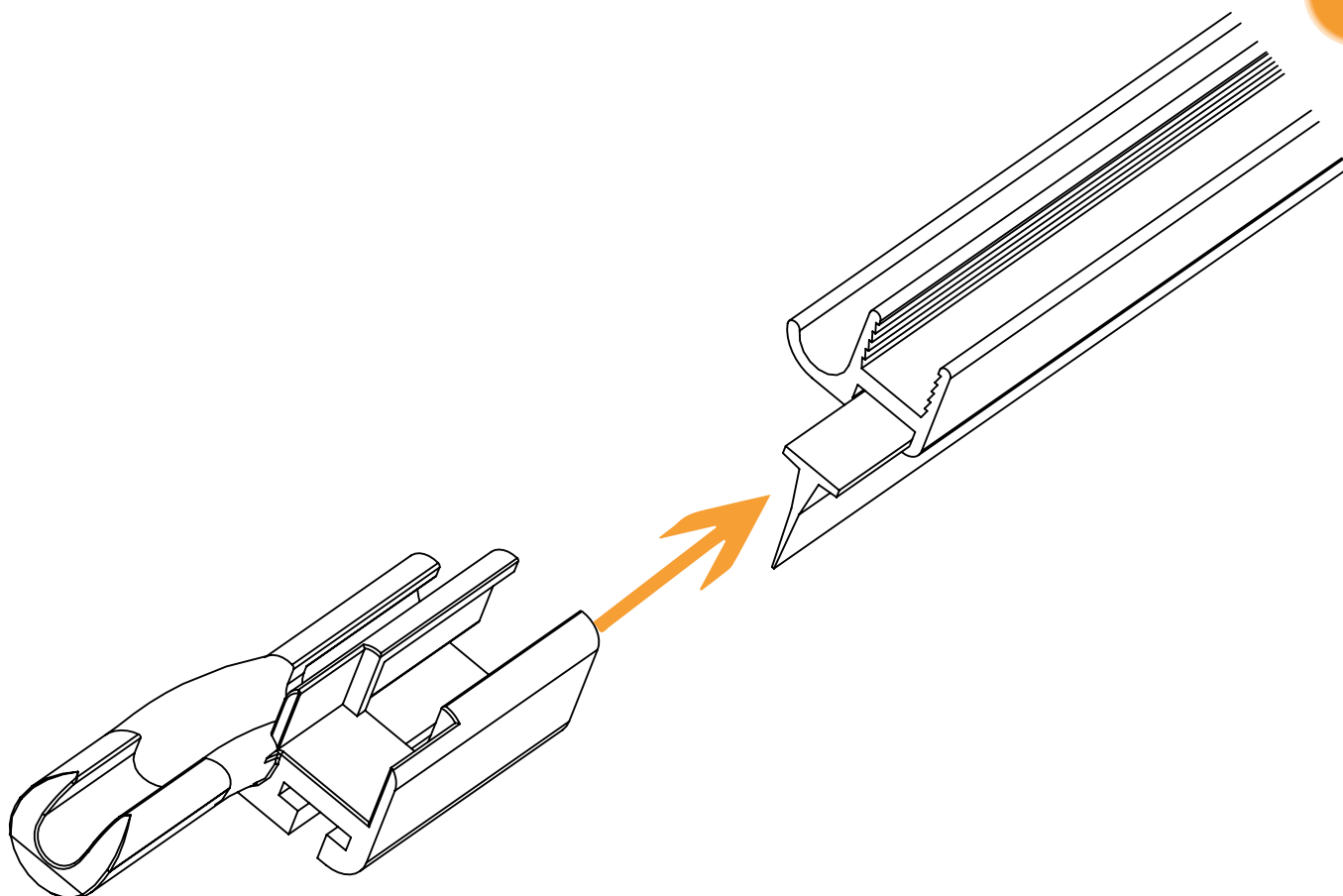


7

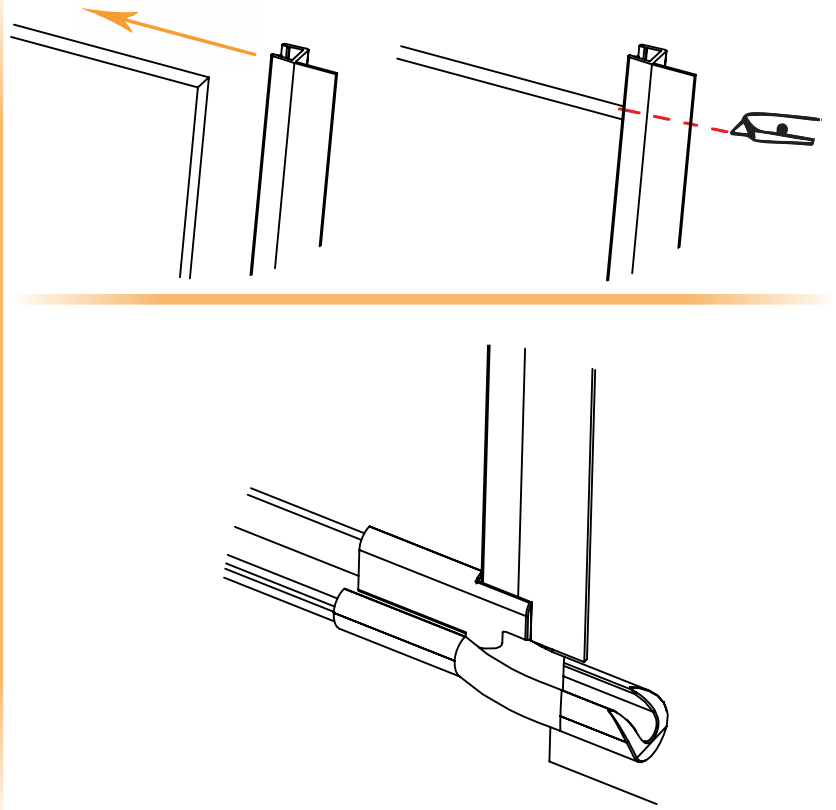
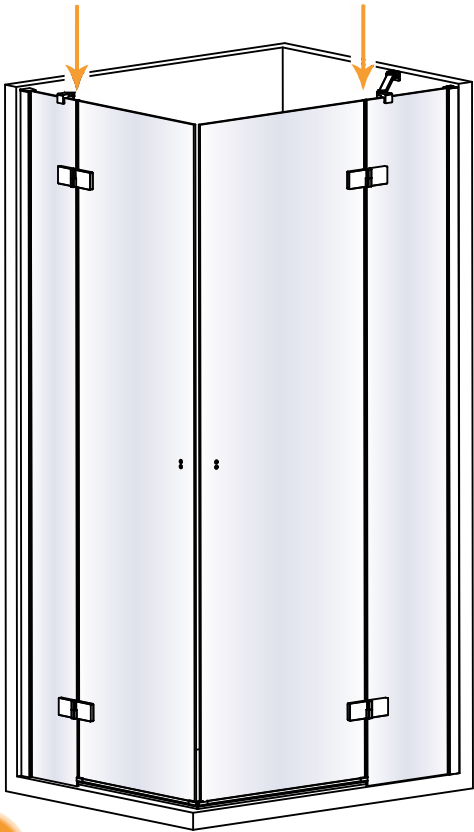


8

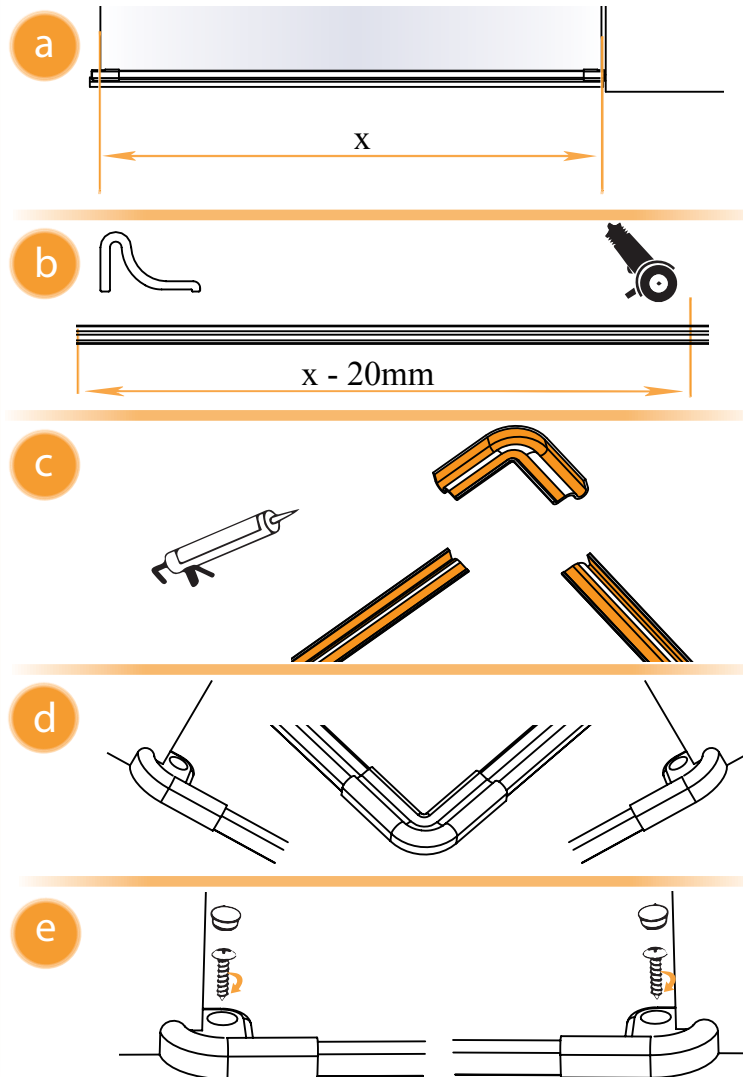
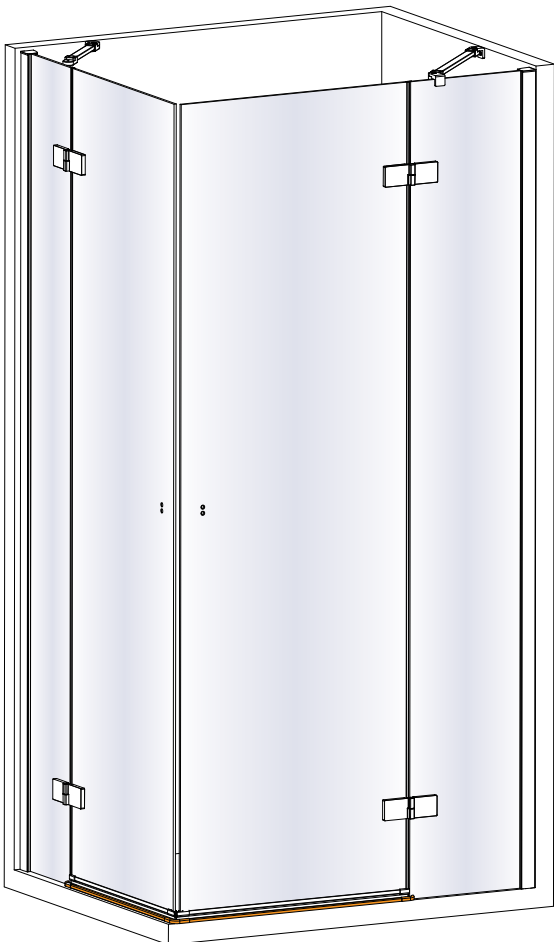


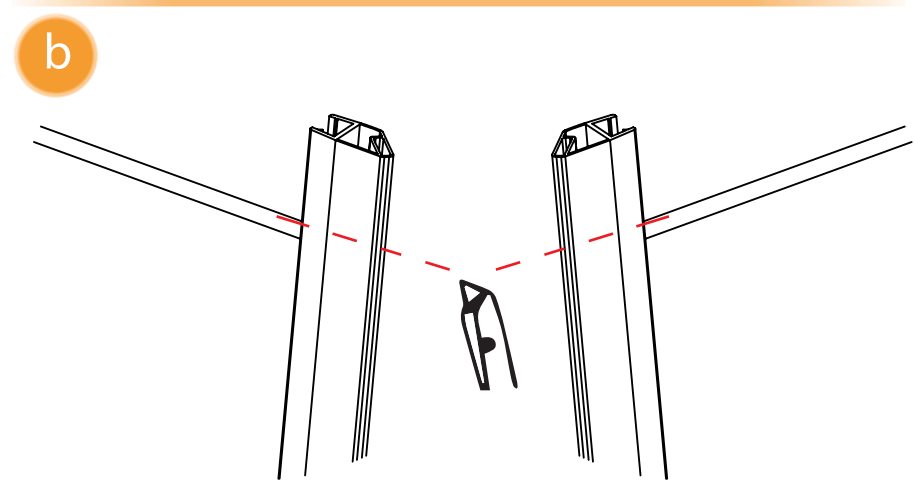
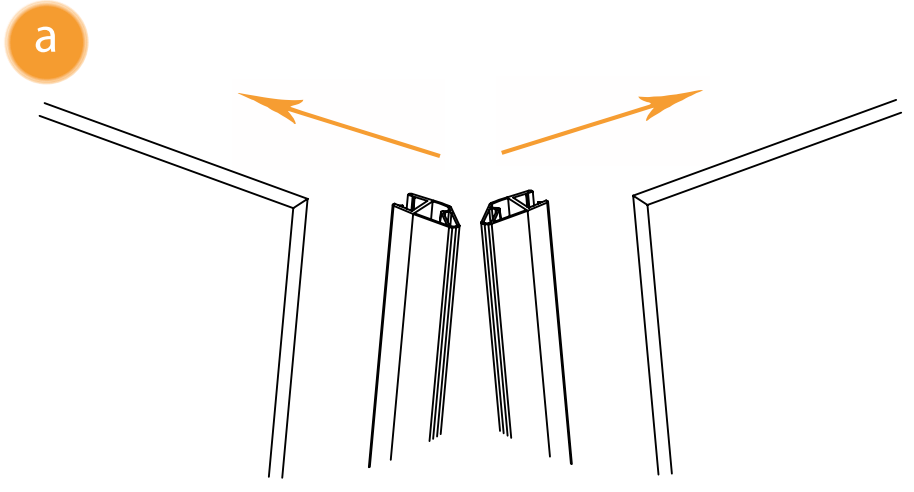
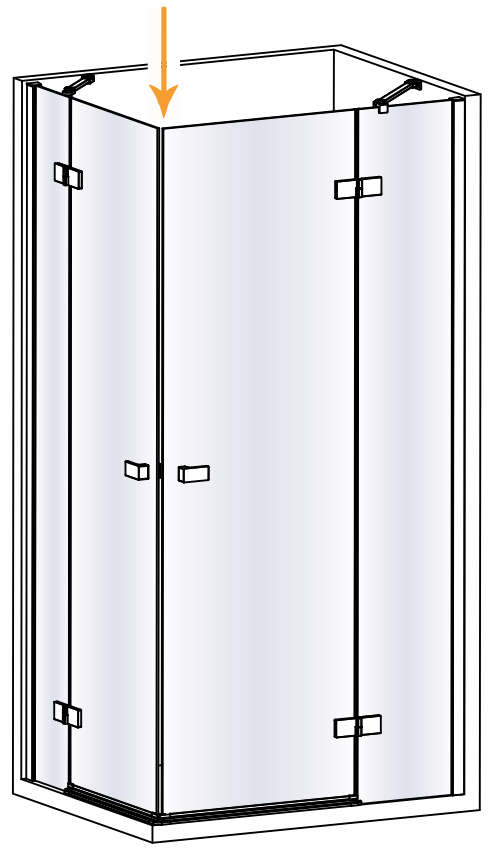
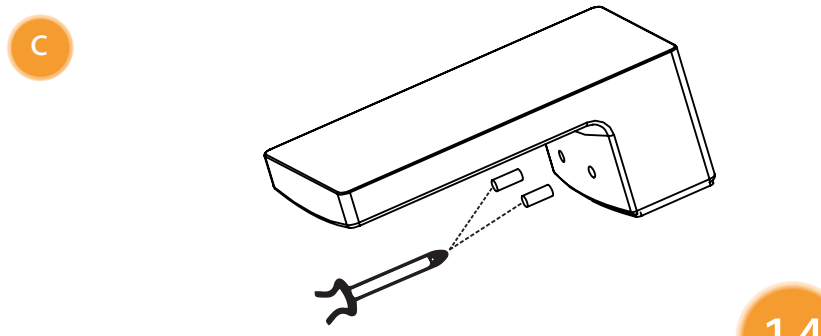
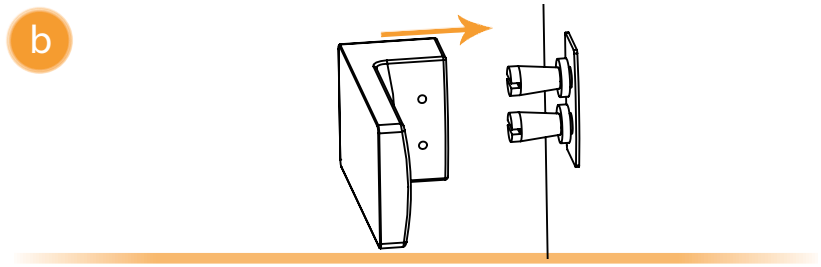
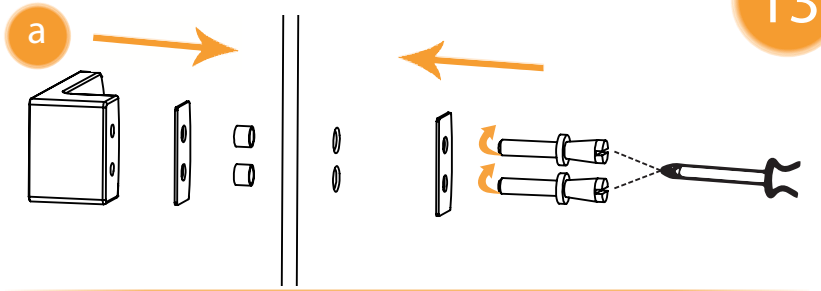
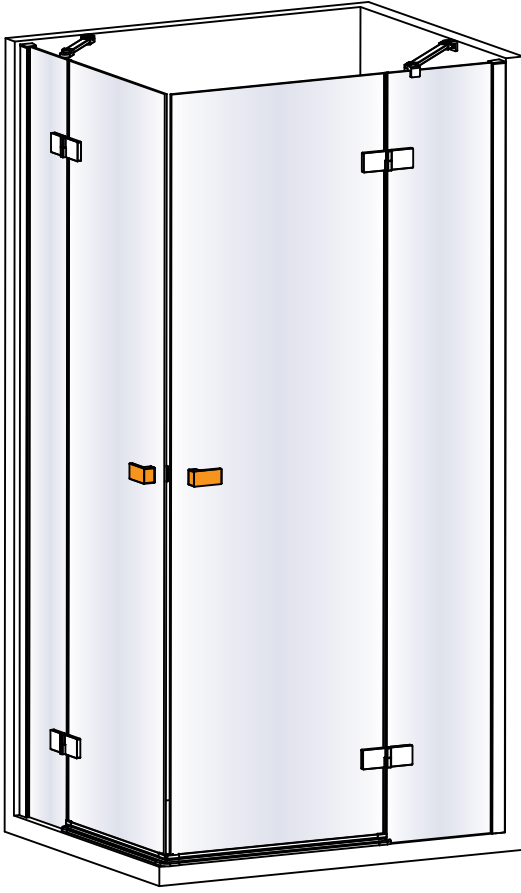


11

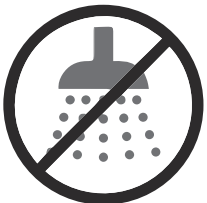


12









24H

