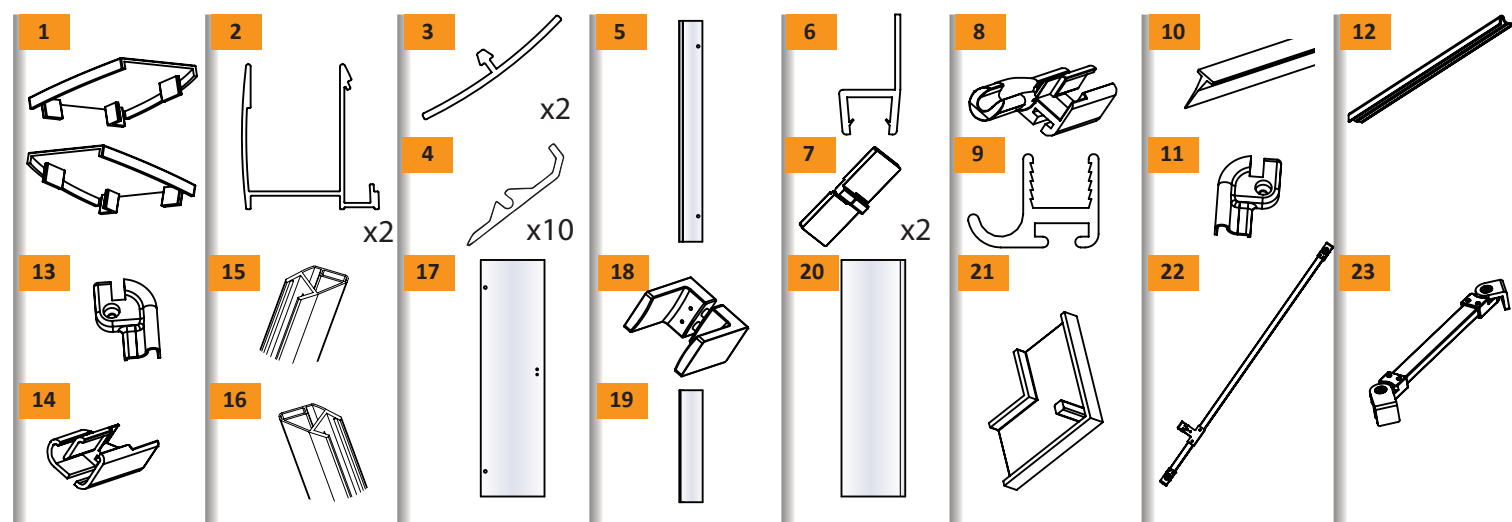
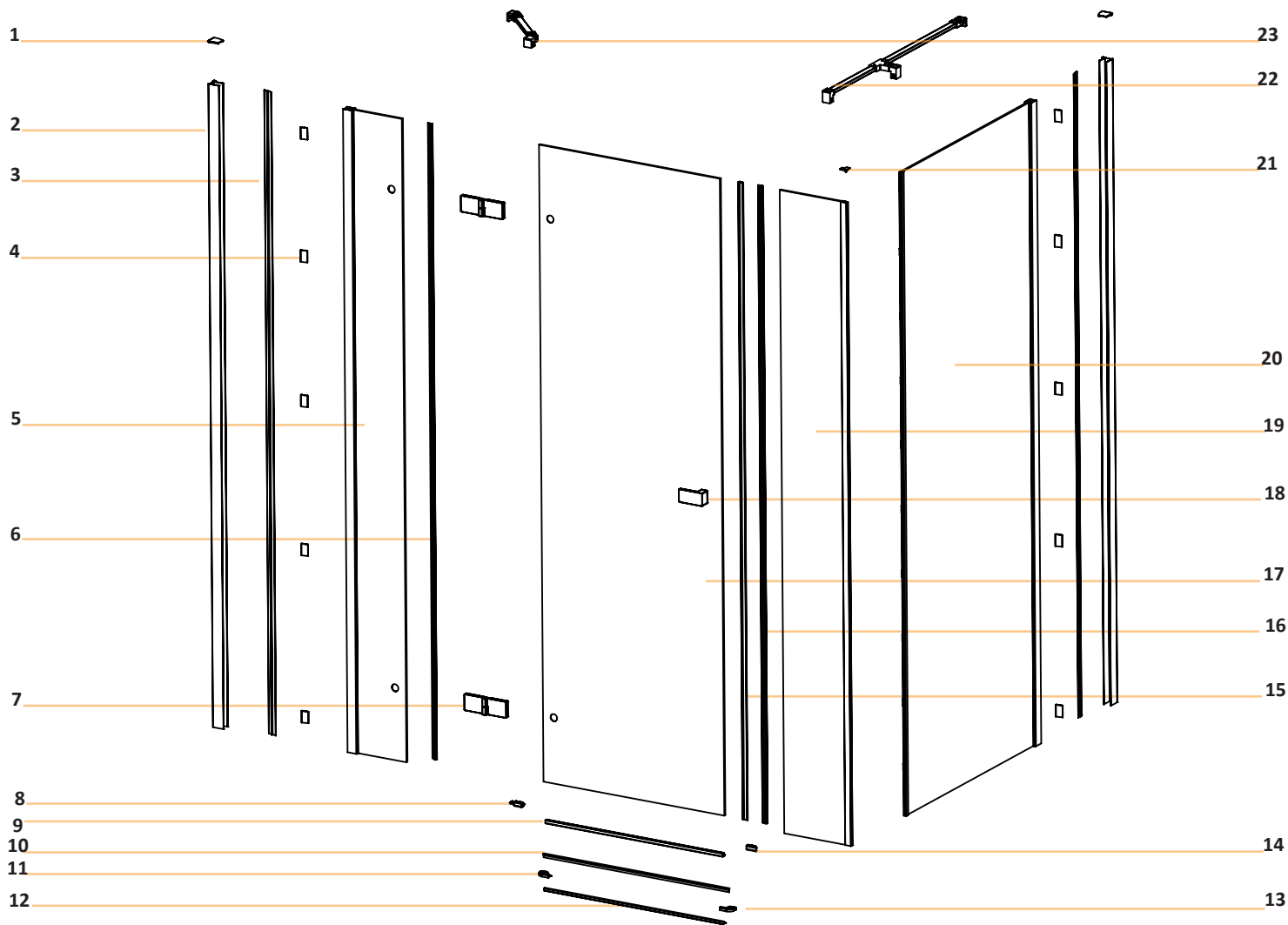
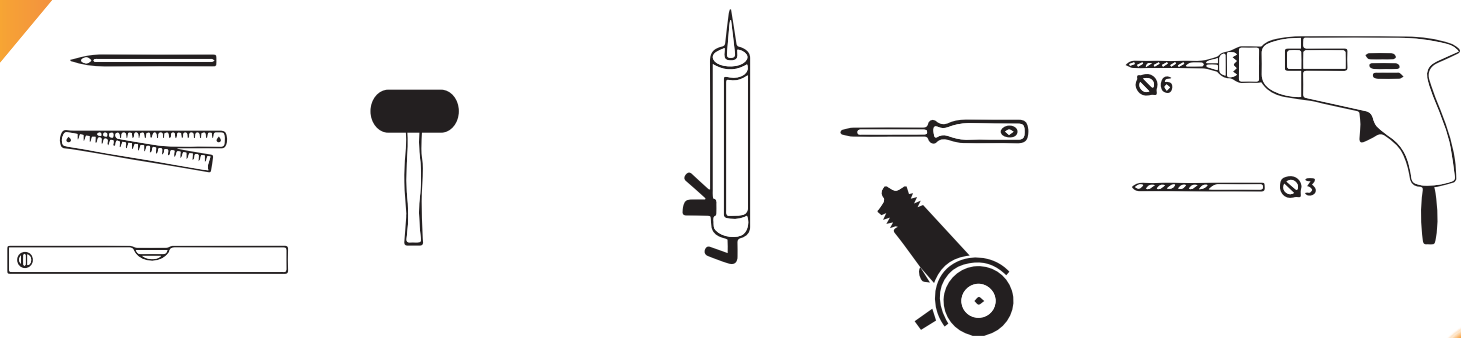


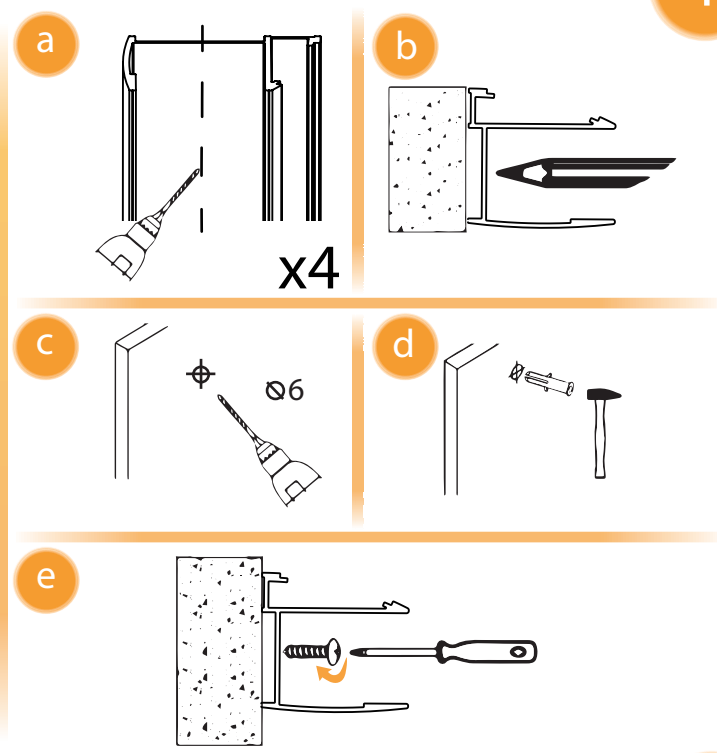
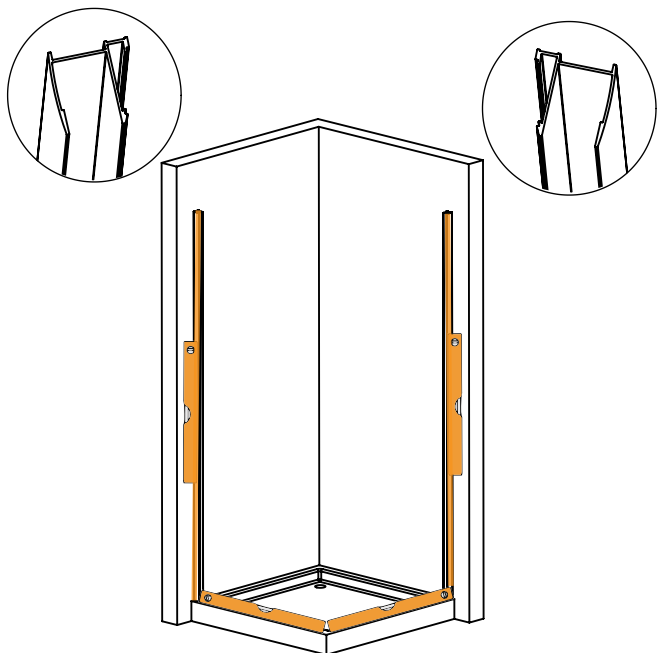


REFLEXA



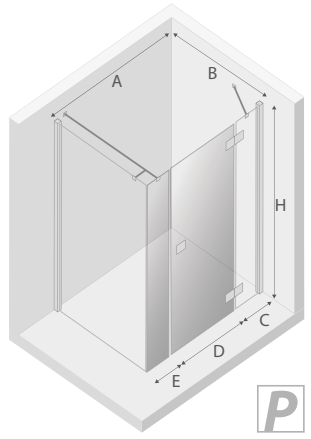
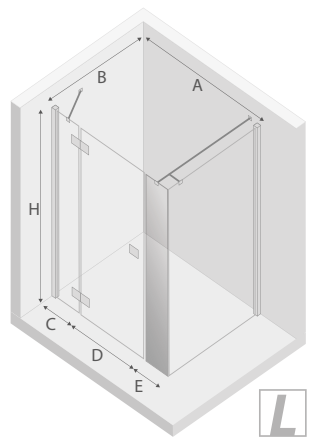


1



2

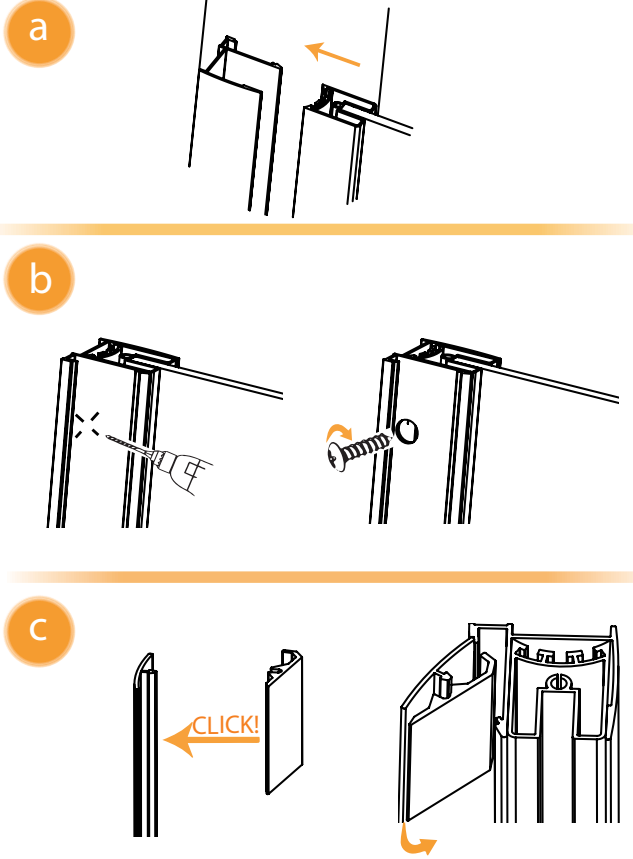
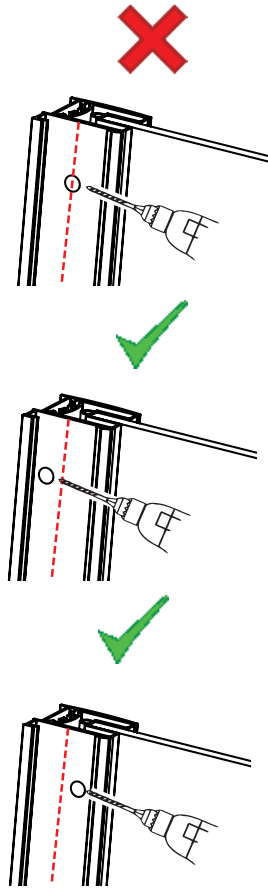
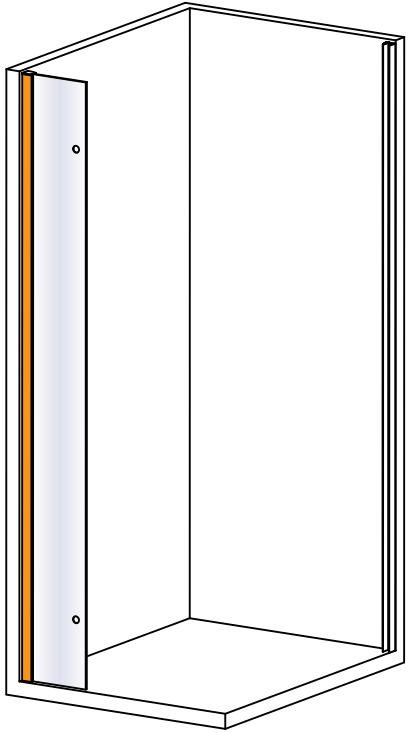
		A	B	C	D	E	H
EXK-1218	110x80x200L	108,5-110	78,5-80	21	63	23,5	200
EXK-1219	110x80x200P	108,5-110	78,5-80	21	63	23,5	200
EXK-1220	130x80x200L	128,5-130	78,5-80	31	63	33,5	200
EXK-1221	130x80x200P	128,5-130	78,5-80	31	63	33,5	200
EXK-1222	150x80x200L	148,5-150	78,5-80	41	63	43,5	200
EXK-1223	150x80x200P	148,5-150	78,5-80	41	63	43,5	200
EXK-1224	110x90x200L	108,5-110	88,5-90	21	63	23,5	200
EXK-1225	110x90x200P	108,5-110	88,5-90	21	63	23,5	200
EXK-1226	130x90x200L	128,5-130	88,5-90	31	63	33,5	200
EXK-1227	130x90x200P	128,5-130	88,5-90	31	63	33,5	200
EXK-1228	150x90x200L	148,5-150	88,5-90	41	63	43,5	200
EXK-1229	150x90x200P	148,5-150	88,5-90	41	63	43,5	200
EXK-1230	110x100x200L	108,5-110	98,5-100	21	63	23,5	200
EXK-1231	110x100x200P	108,5-110	98,5-100	21	63	23,5	200
EXK-1232	130x100x200L	128,5-130	98,5-100	31	63	33,5	200
EXK-1233	130x100x200P	128,5-130	98,5-100	31	63	33,5	200
EXK-1234	150x100x200L	148,5-150	98,5-100	41	63	43,5	200
EXK-1235	150x100x200P	148,5-150	98,5-100	41	63	43,5	200



2

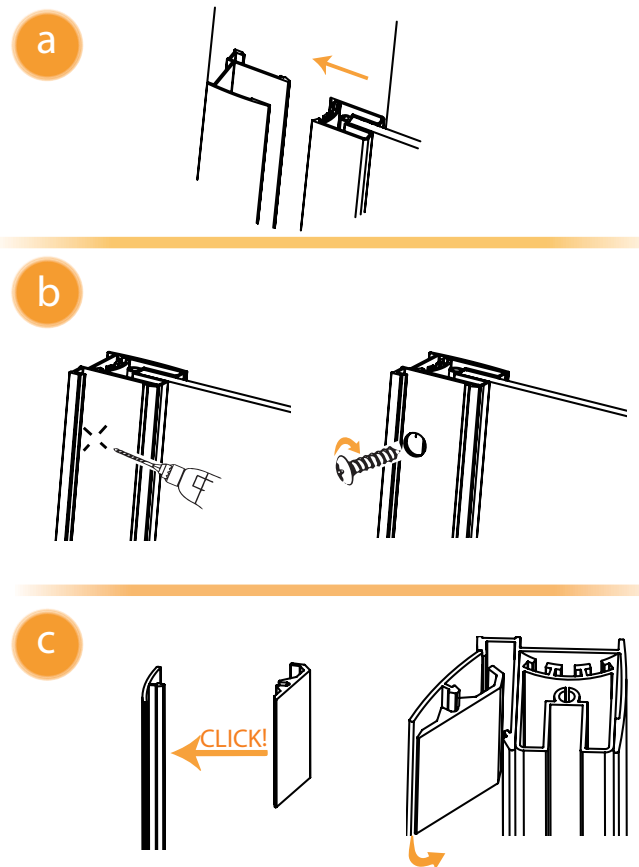
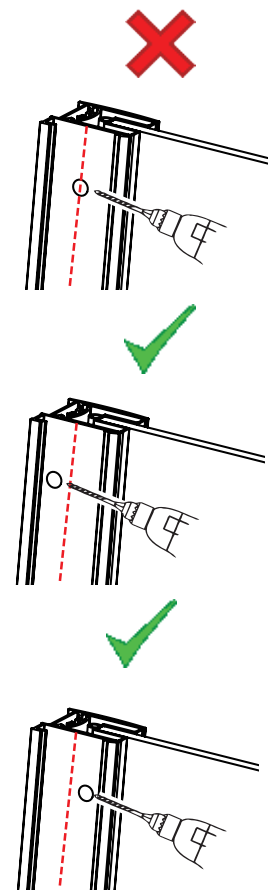
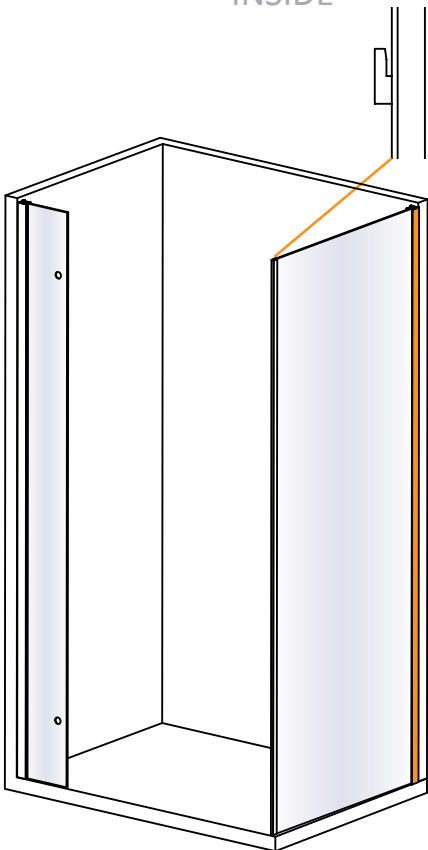
3

Active Shield
INSIDE

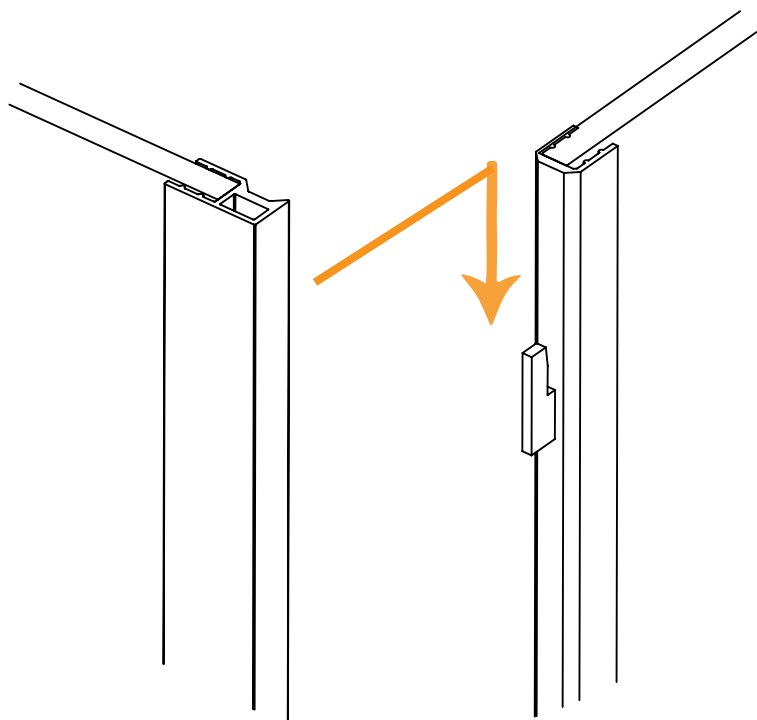
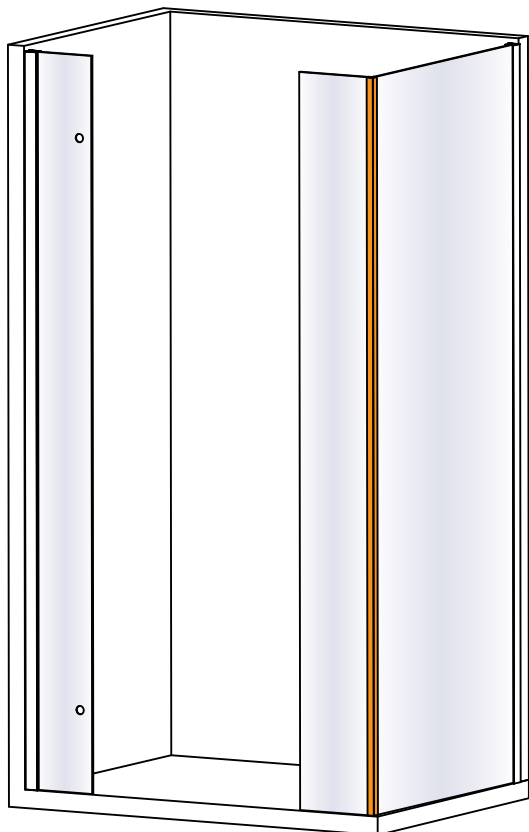


4

Active Shield
INSIDE

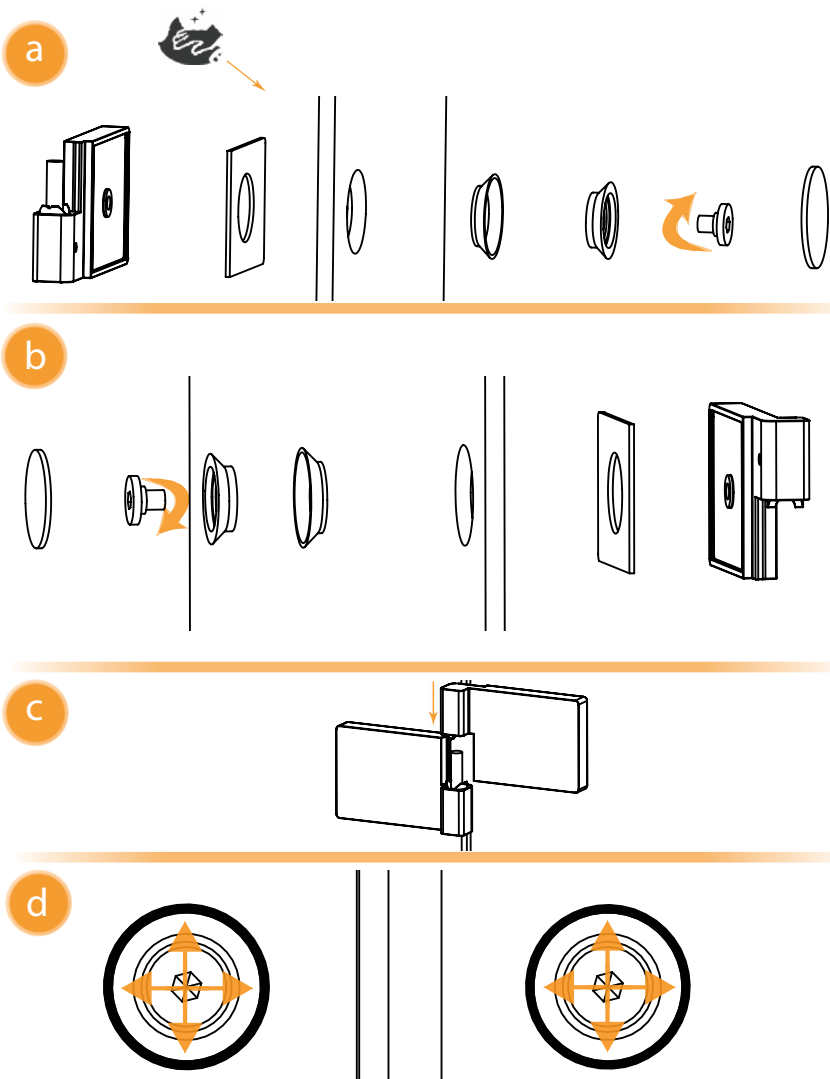
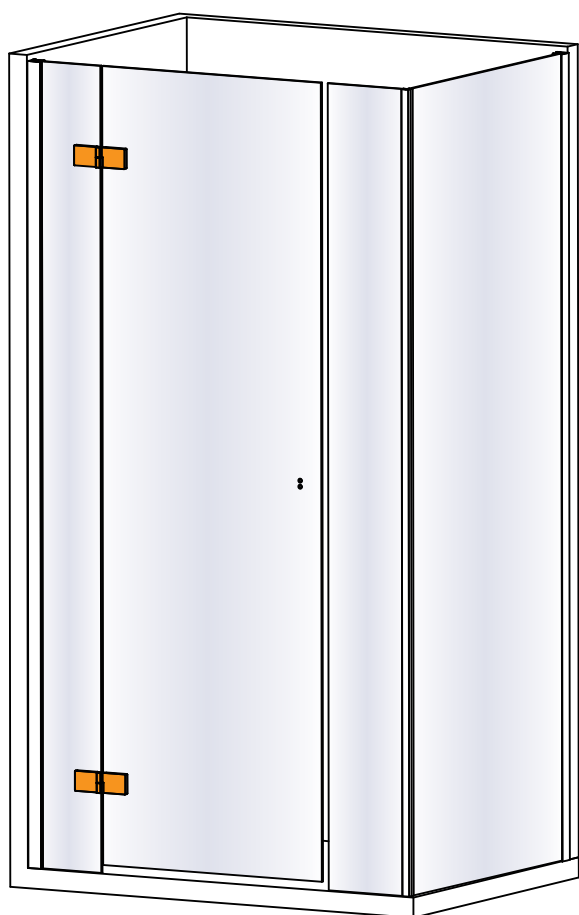


5

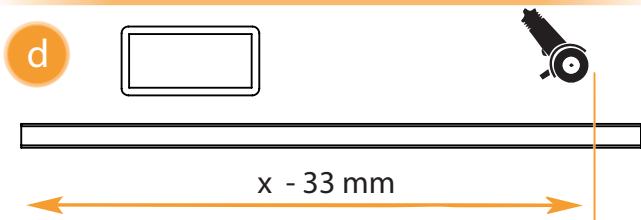
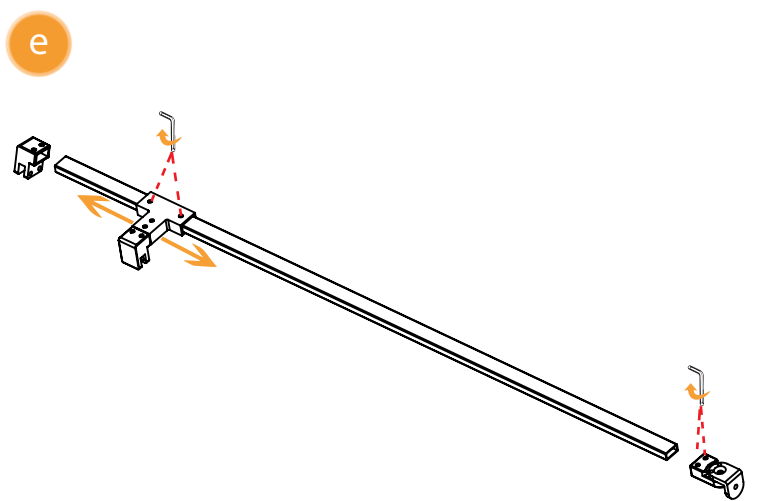
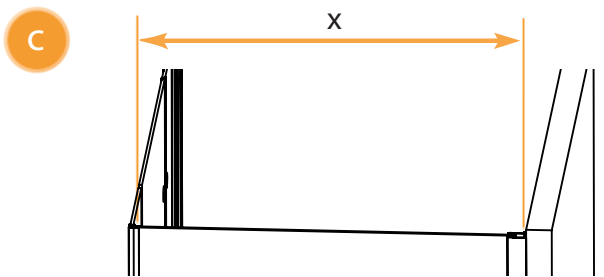
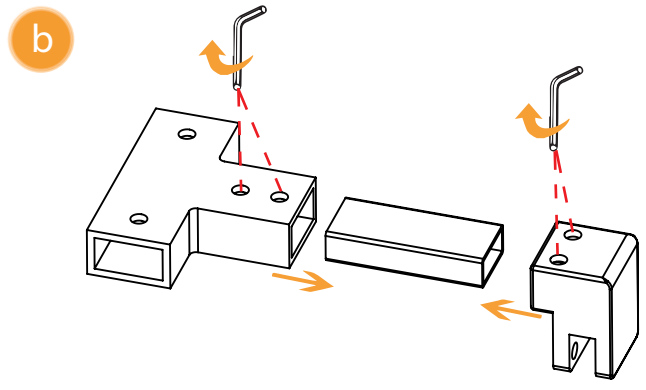
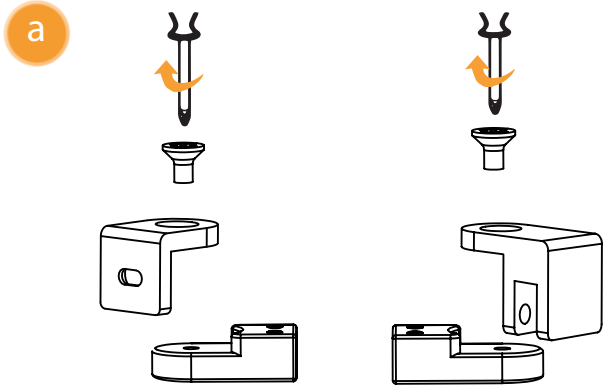


6

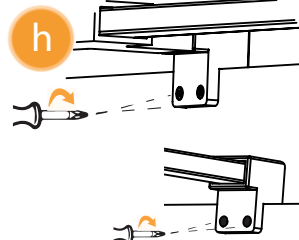
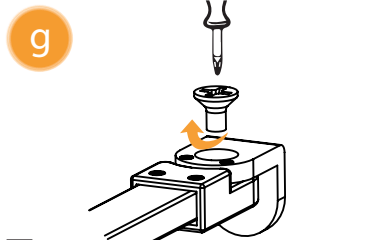
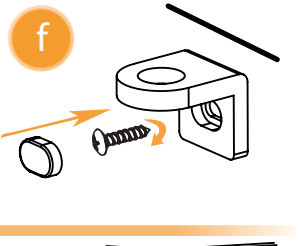
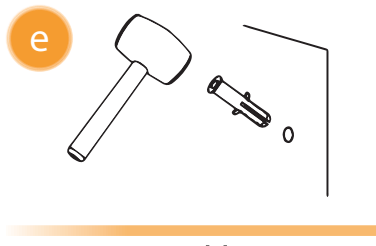
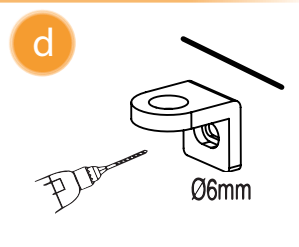
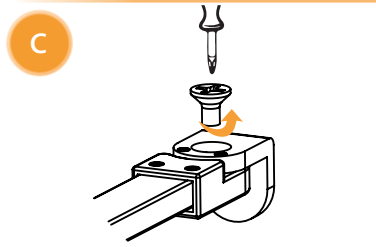
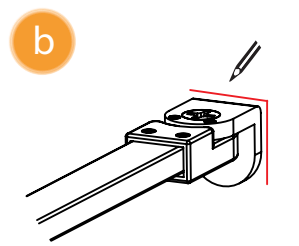
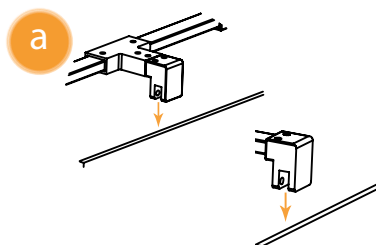
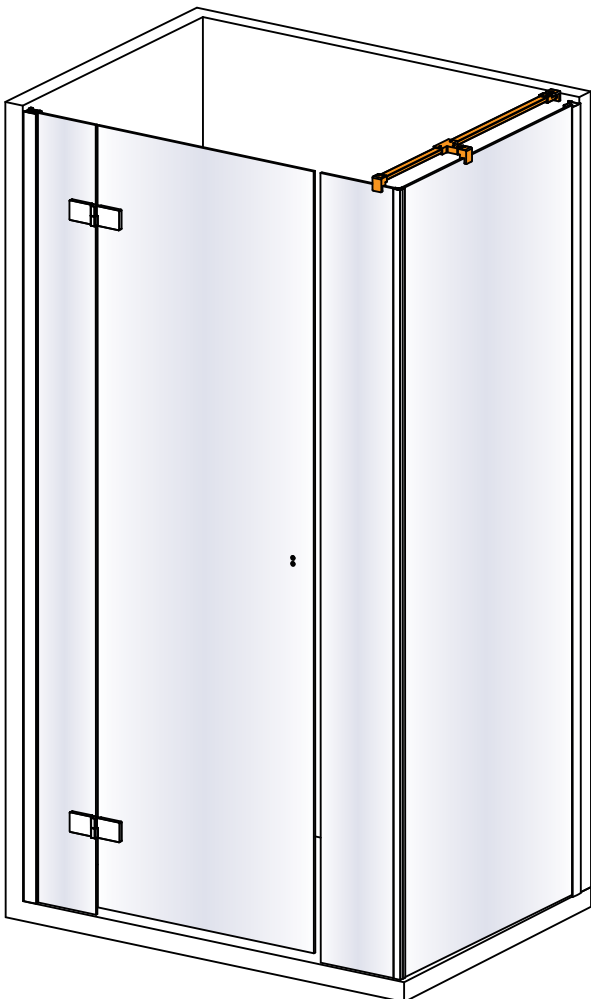
Active
Shield
INSIDE

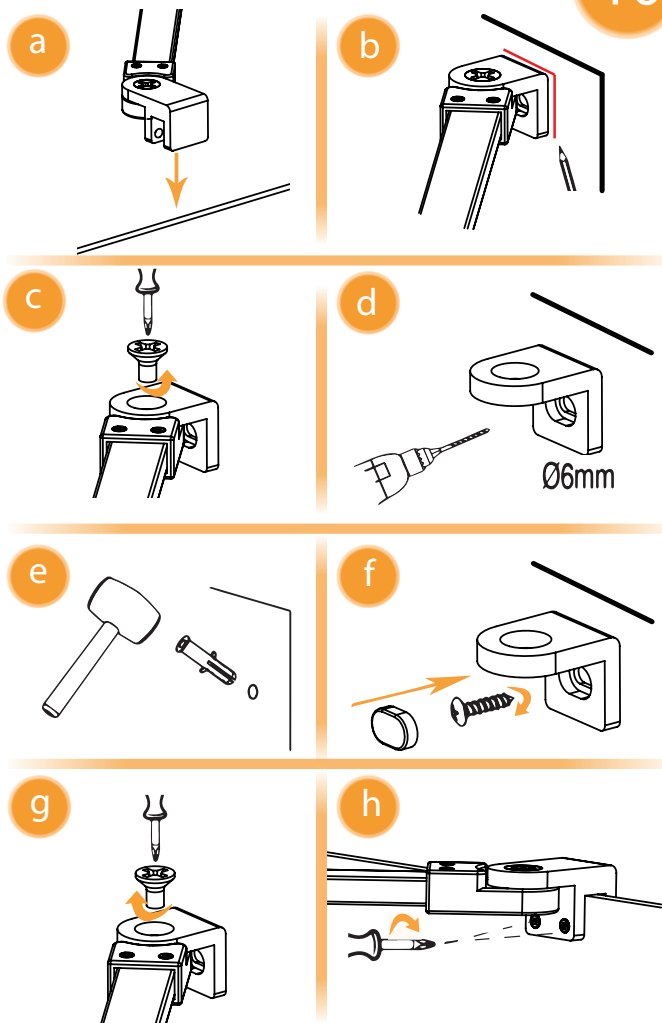
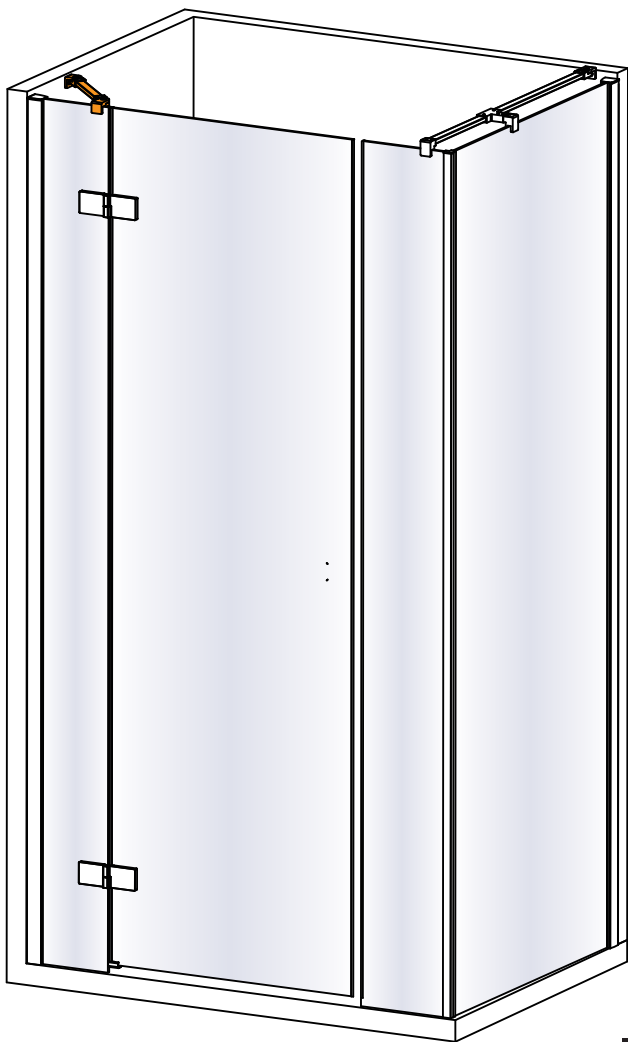
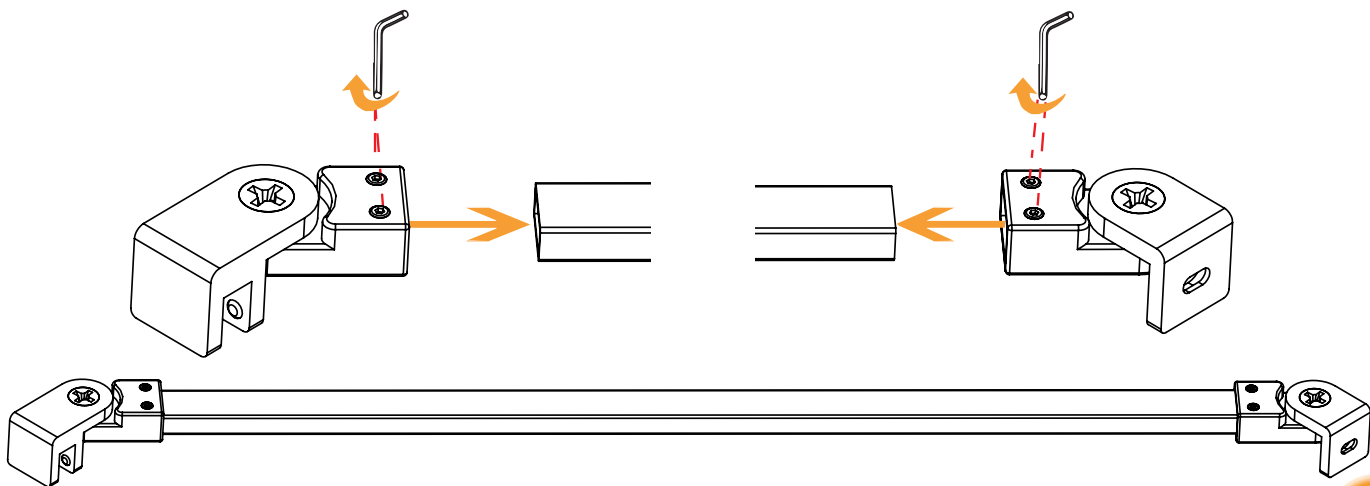
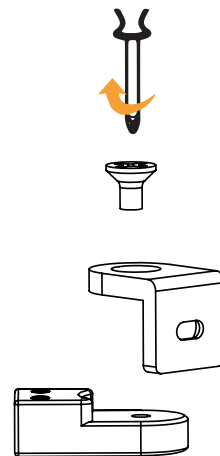
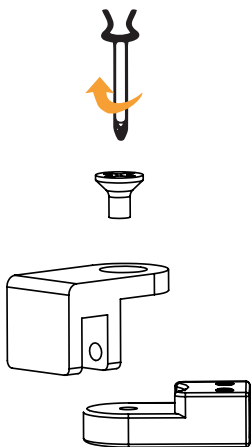


7

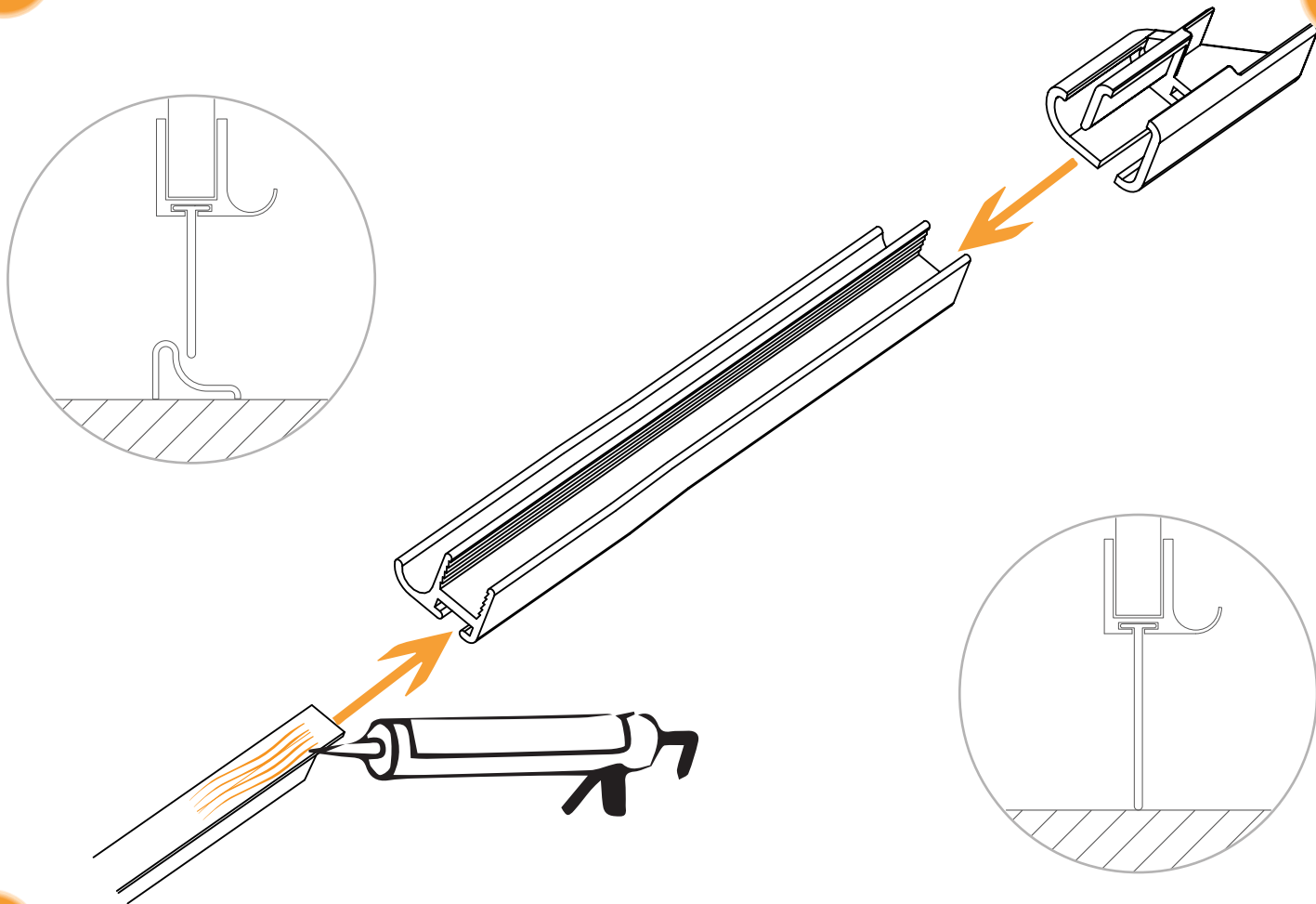


8

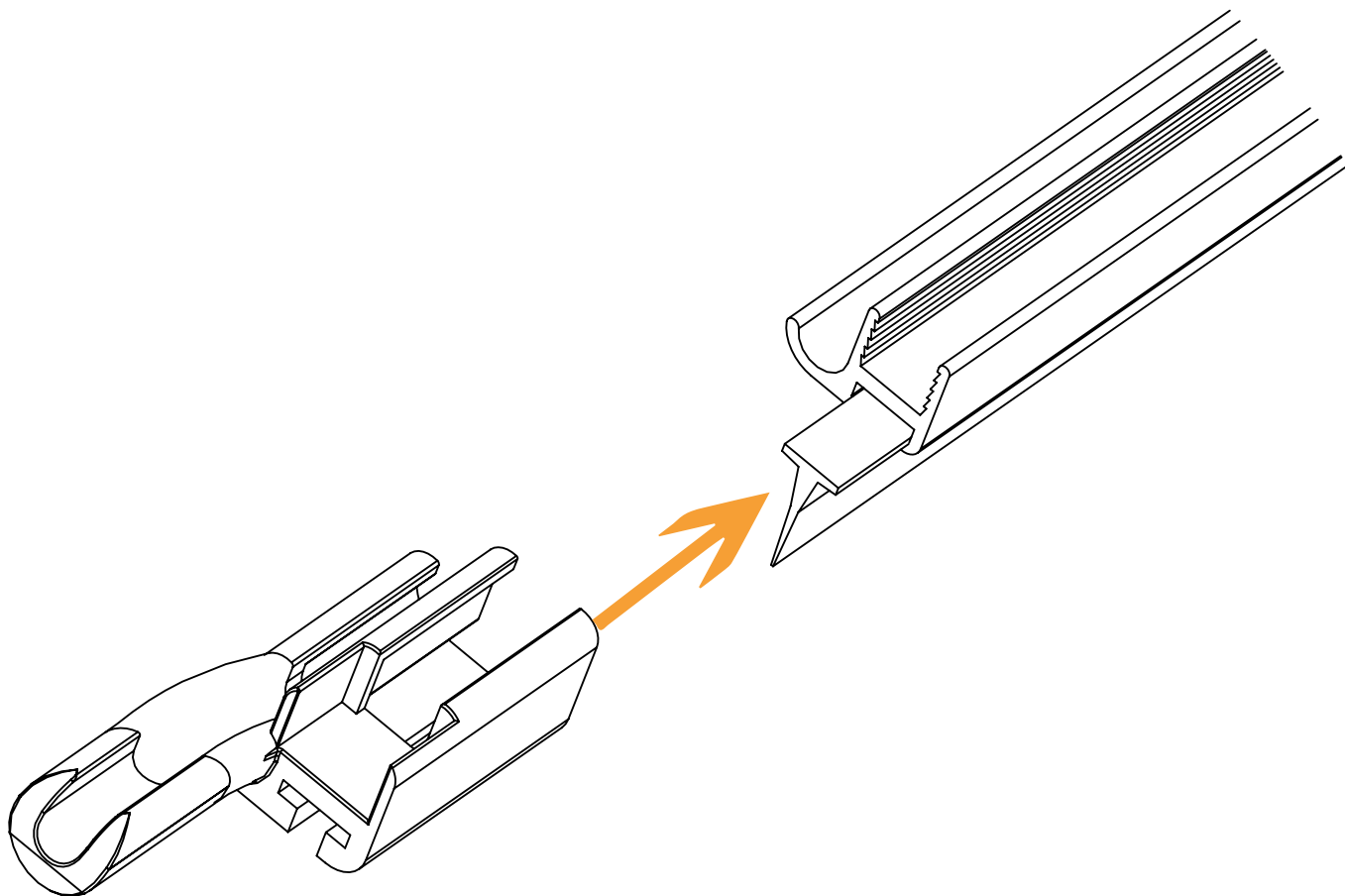


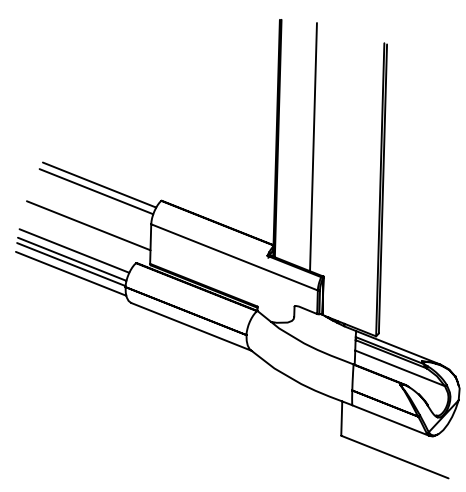
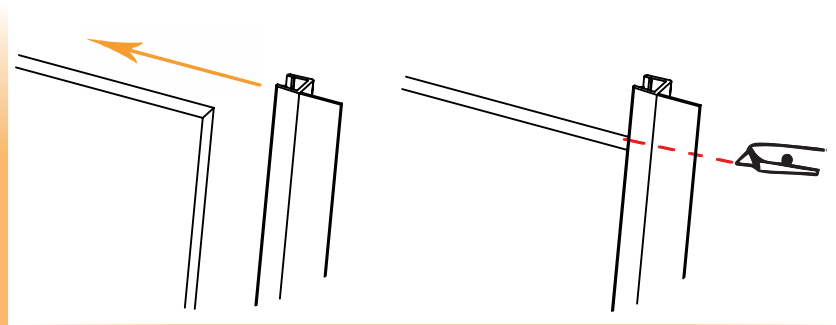
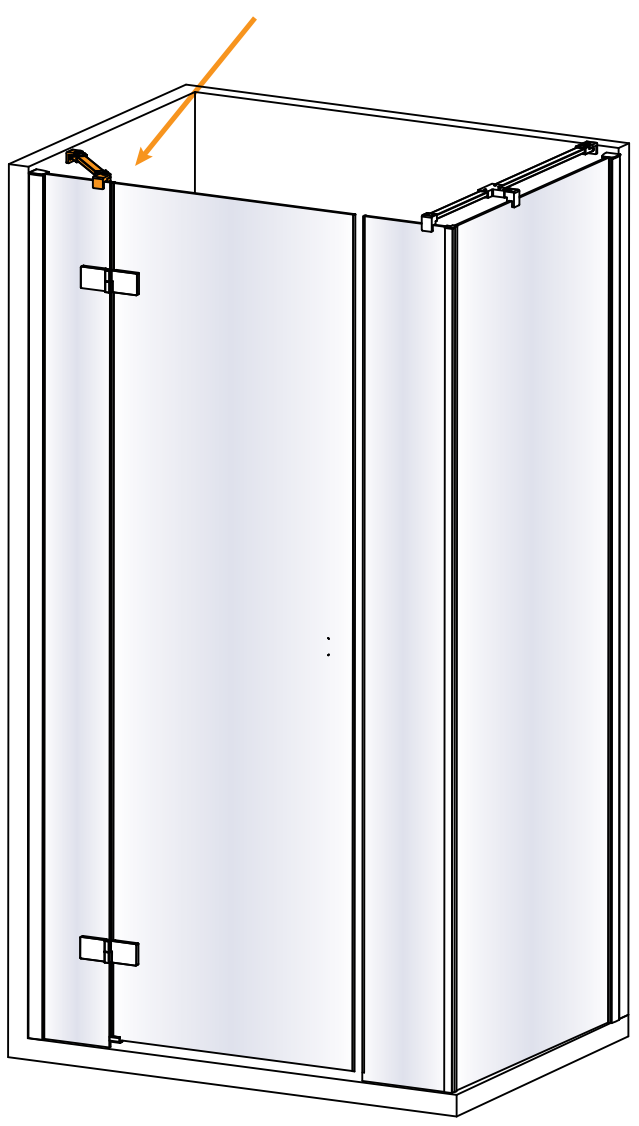
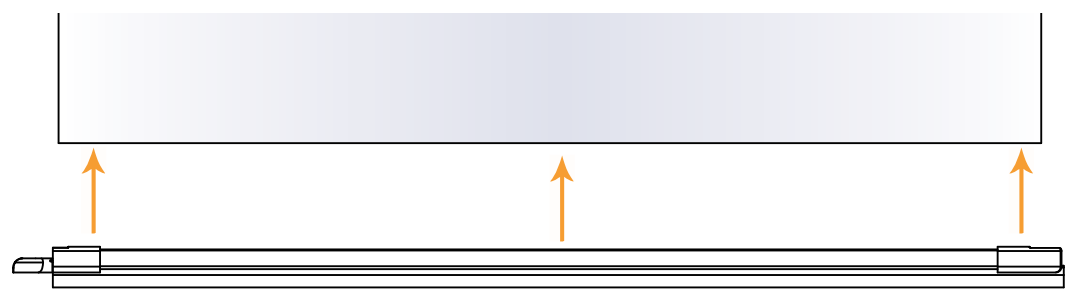
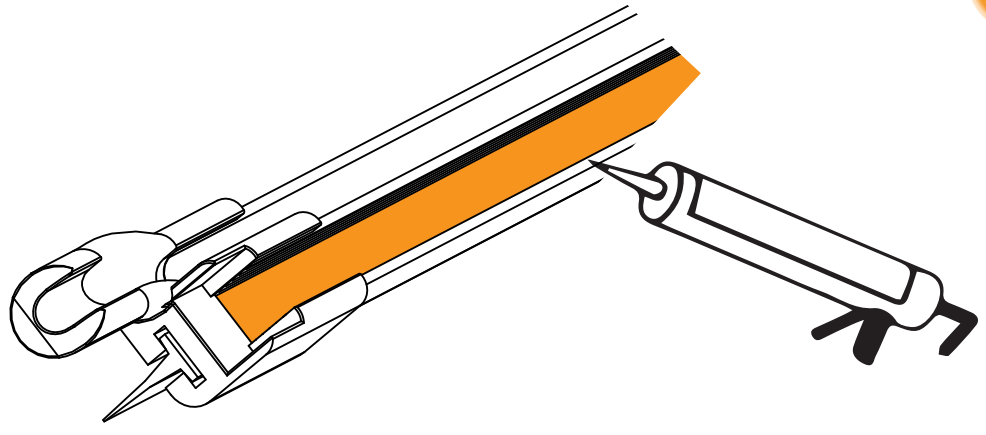


11

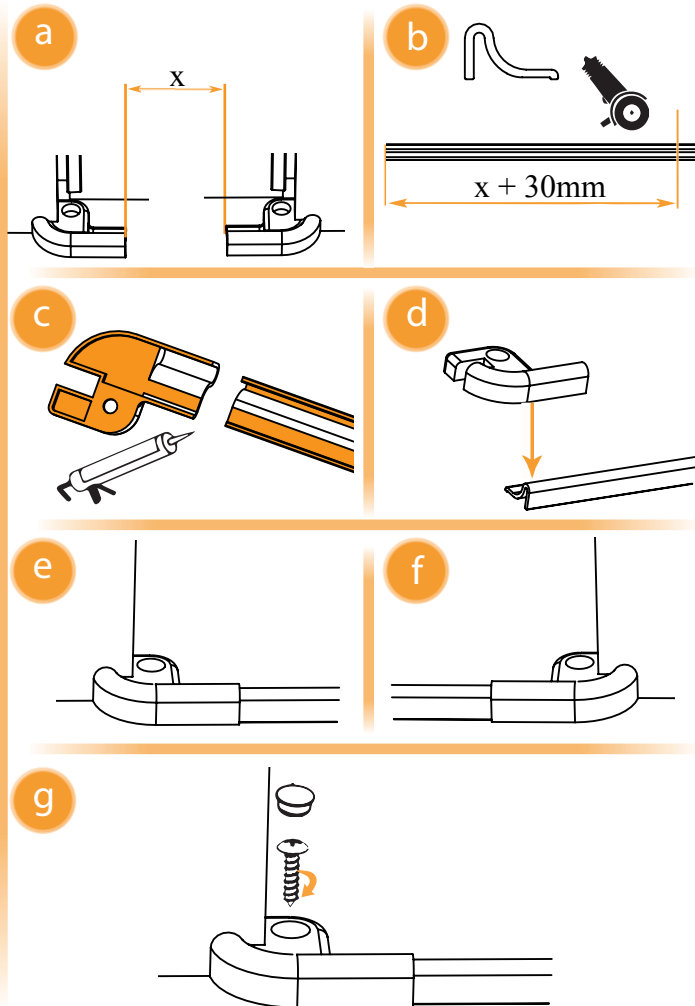
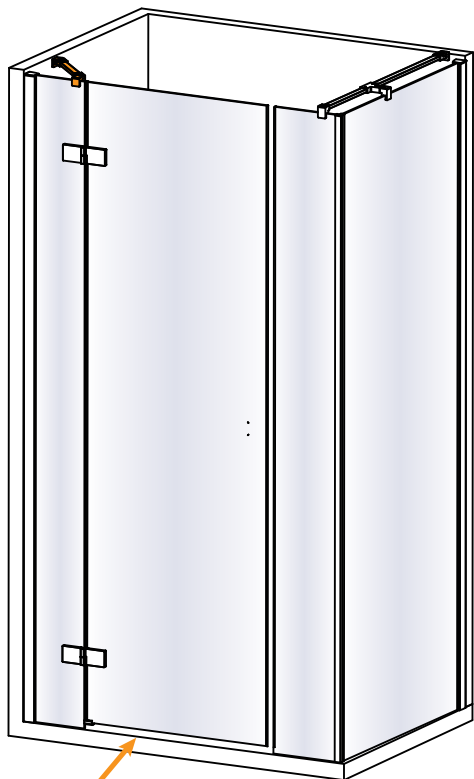


12





15



16

