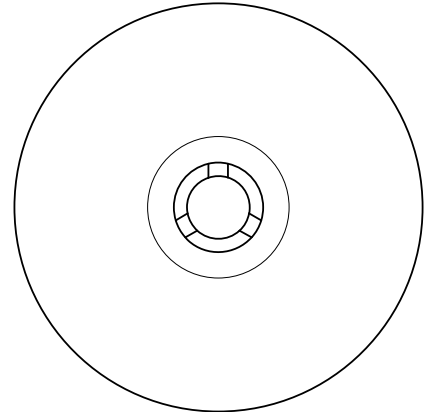
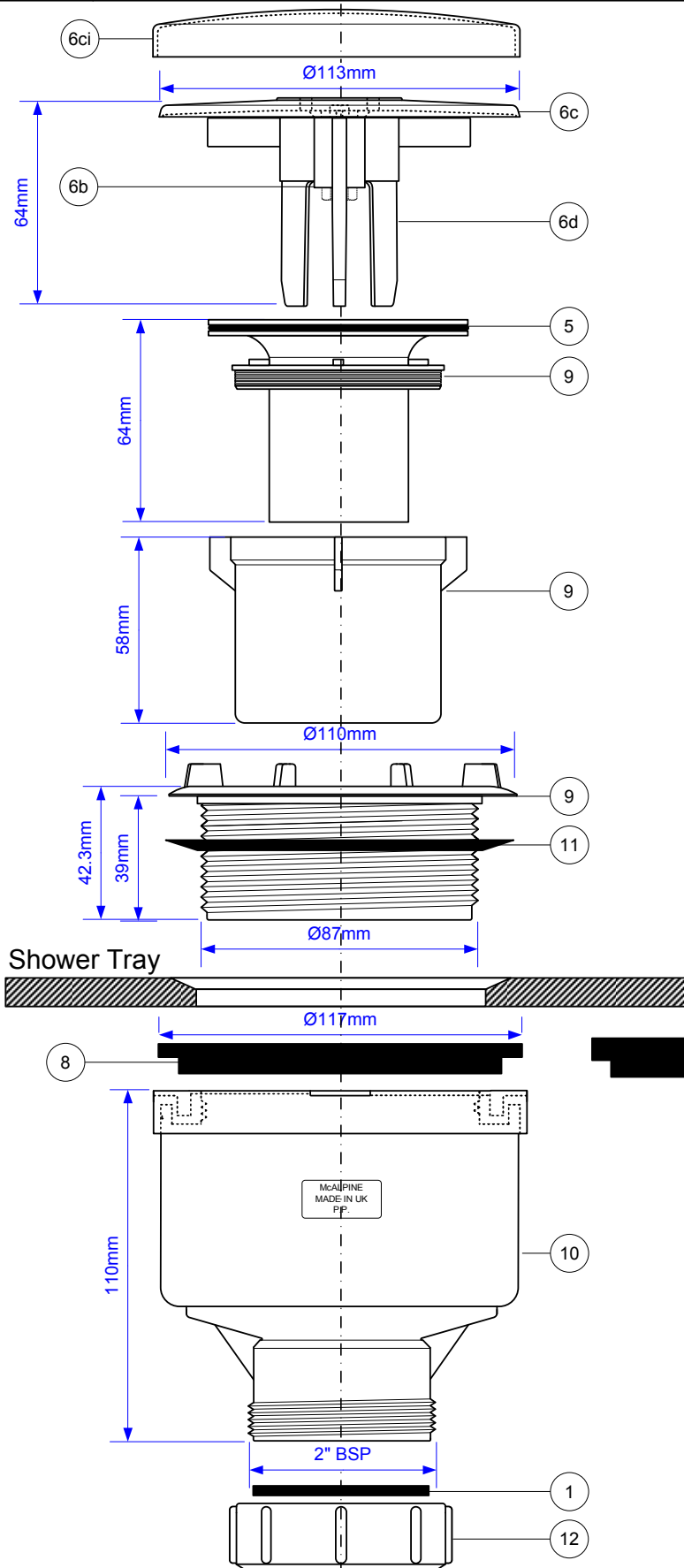


**Code:**

# ST9038-CCP

STW VERT OUT 50L 50mm WATER SEAL MERC CP GRID  
WITH 39MM LONG WASTE



| Part No. | Code                         |
|----------|------------------------------|
| 1        | 50M                          |
| 2        | L-ST9038-CCP (Leaflet)       |
| 3        | P-BS245X410HMC (Plastic Bag) |
| 4        | P-C-S1F (Carton)             |
| 5        | P-OR-70X2MM                  |
| 6        | ST90MECPTOP+SUPP             |
| a        | P-B-10X12MC                  |
| b        | P-SSHEXM6X20                 |
| c        | ST90GRID-MECP                |
| i        | PROTCAP-113MM                |
| d        | STW90GRID-SUP-GR             |
| 7        | STW90-RW-12.5MM              |
| 8        | STW90-RW-9.5MM               |
| 9        | STW9034WASTEBDY              |
| 10       | STW90VERTBSPBDY              |
| 11       | STW90WASTESEAL               |
| 12       | Z8B                          |

Drawing verified  
correct as of:

01/02/2016  
RM

DRAWN BY

RM

REVISED

02/03/2015, 01/02/2016

FILENAME

ST9038-CCP.VSD

SCALE

1:2

DATE

01/02/2016