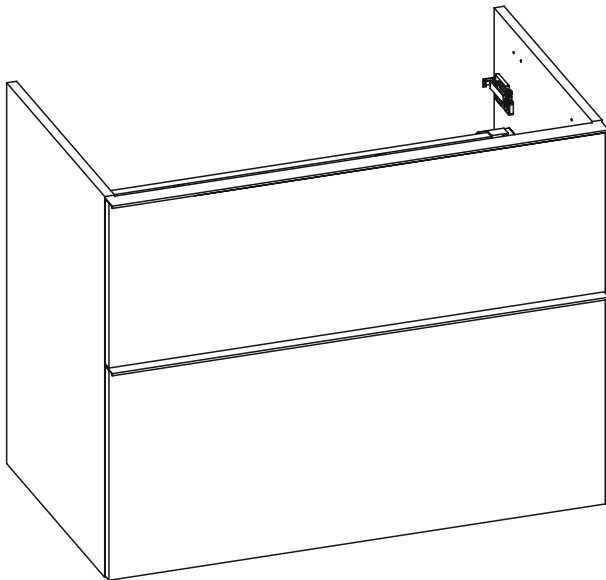
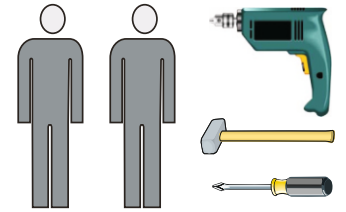

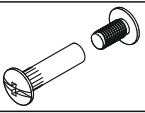


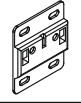



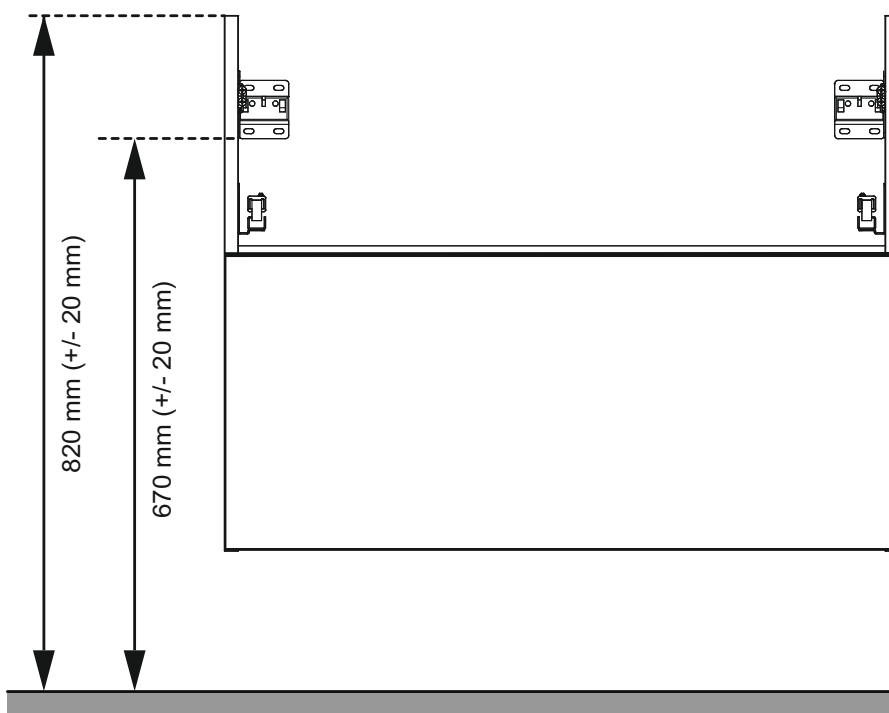
60 2DR
80 2DR
100 2DR



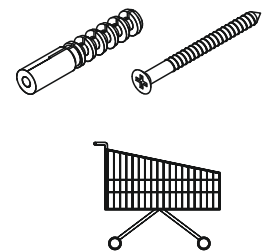
| | |
|---|--|
| R8 | X |
|  |  |
| x 4 | x 1 |
| H | N5 |
|  |  |
| x 2 | US3,5x16 x 6 |
| | P15 |
| |  |
| | x 2 |

| |
|---|
| H |
|  |
| x 2 |

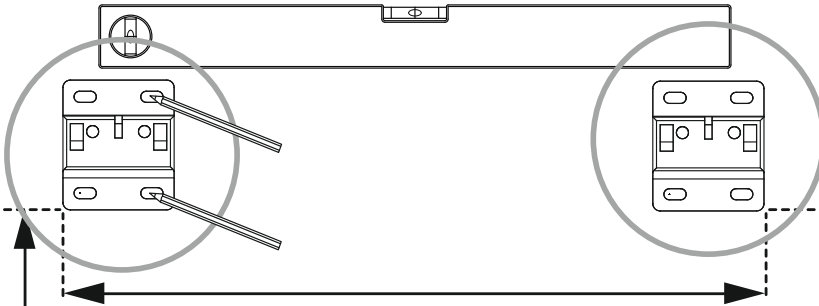
01.



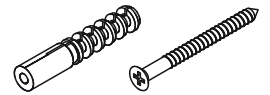
x4



02.

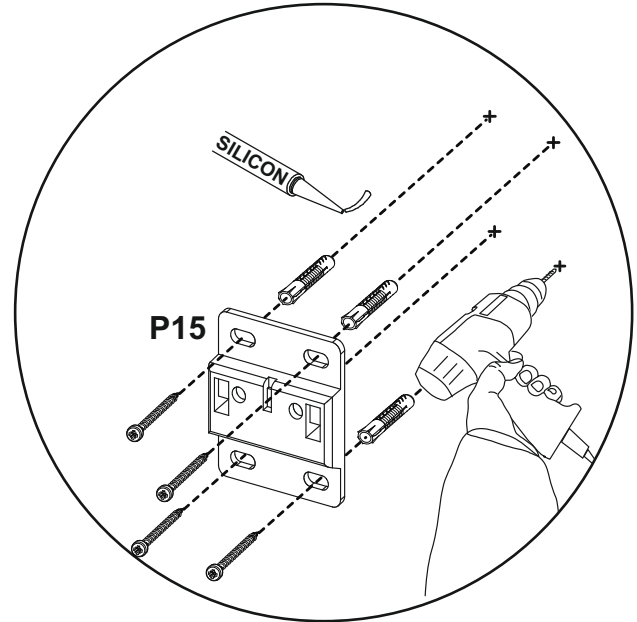
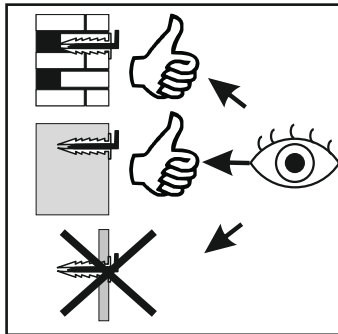


x8

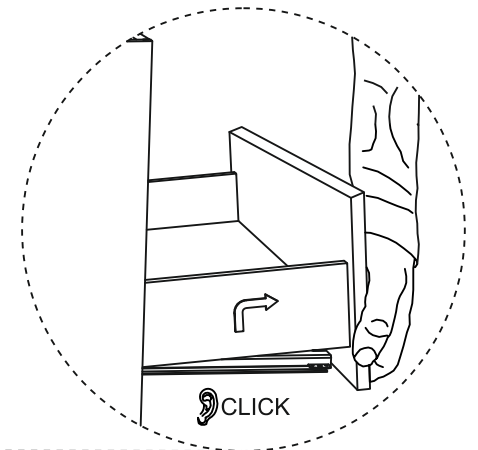
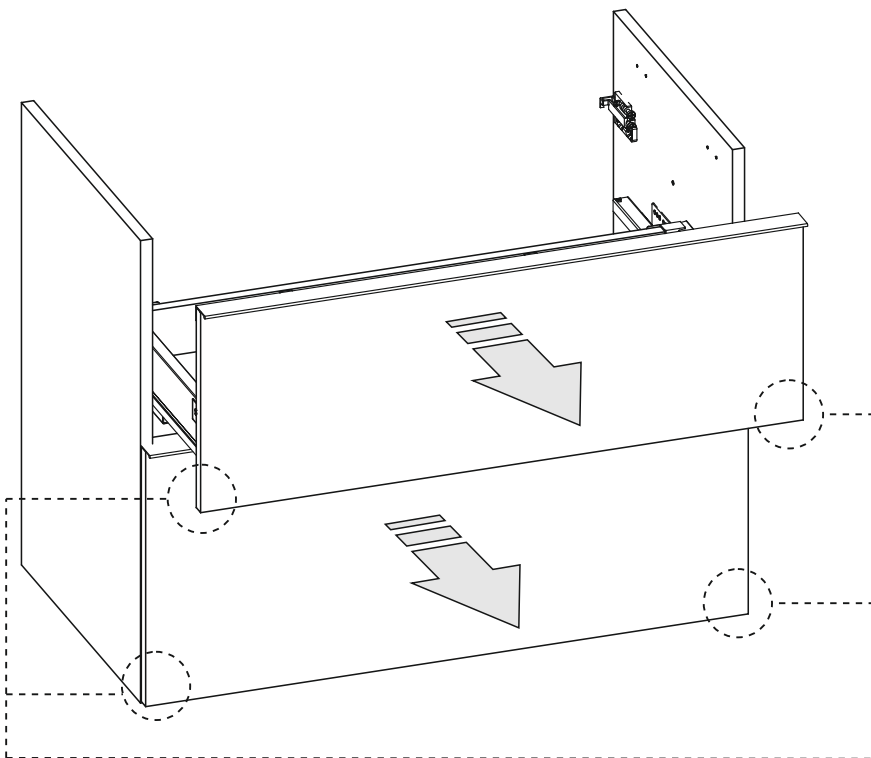


565 mm - 60 2DR
765 mm - 80 2DR
965 mm - 100 2DR

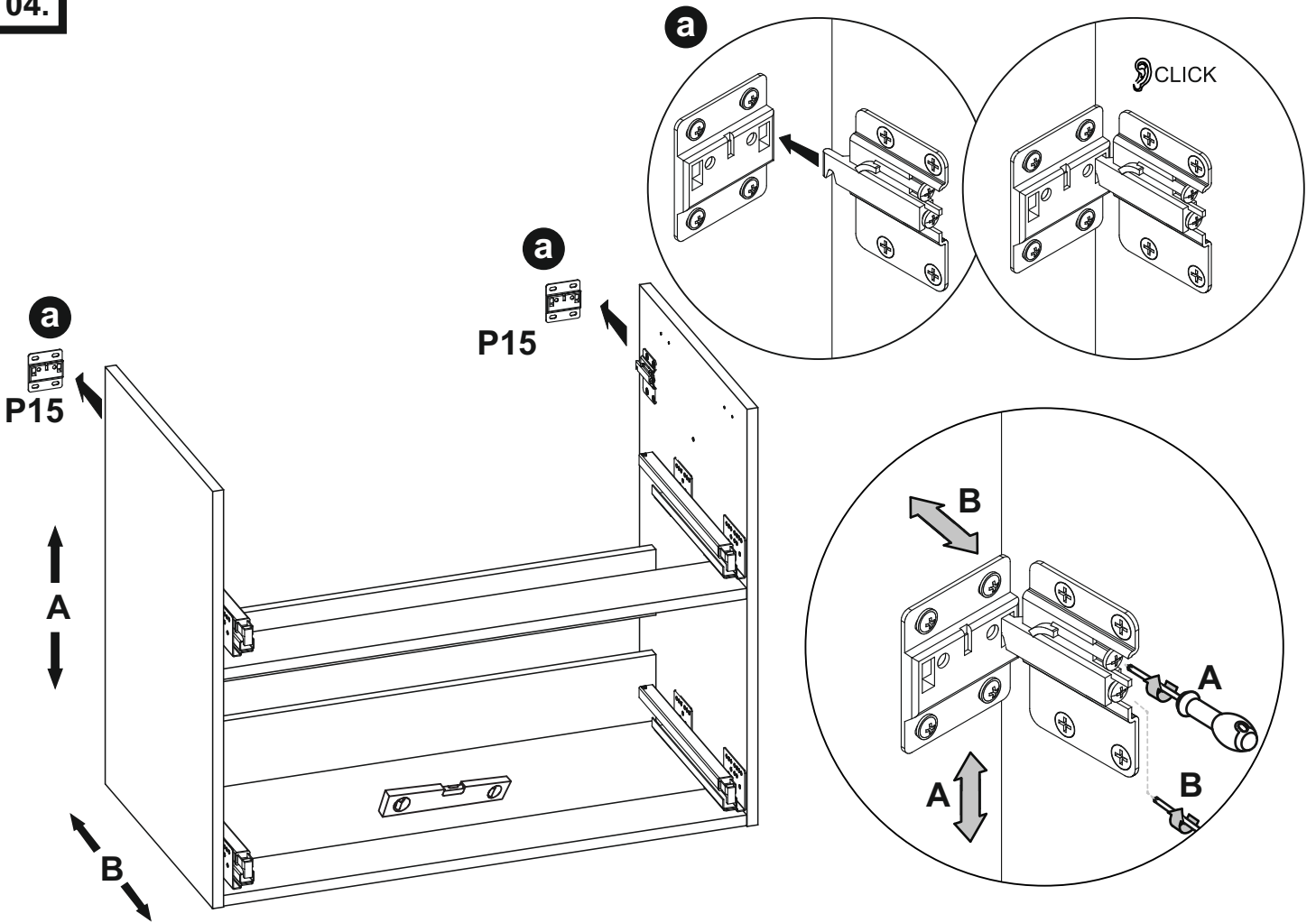
670 mm (+/- 20 mm)



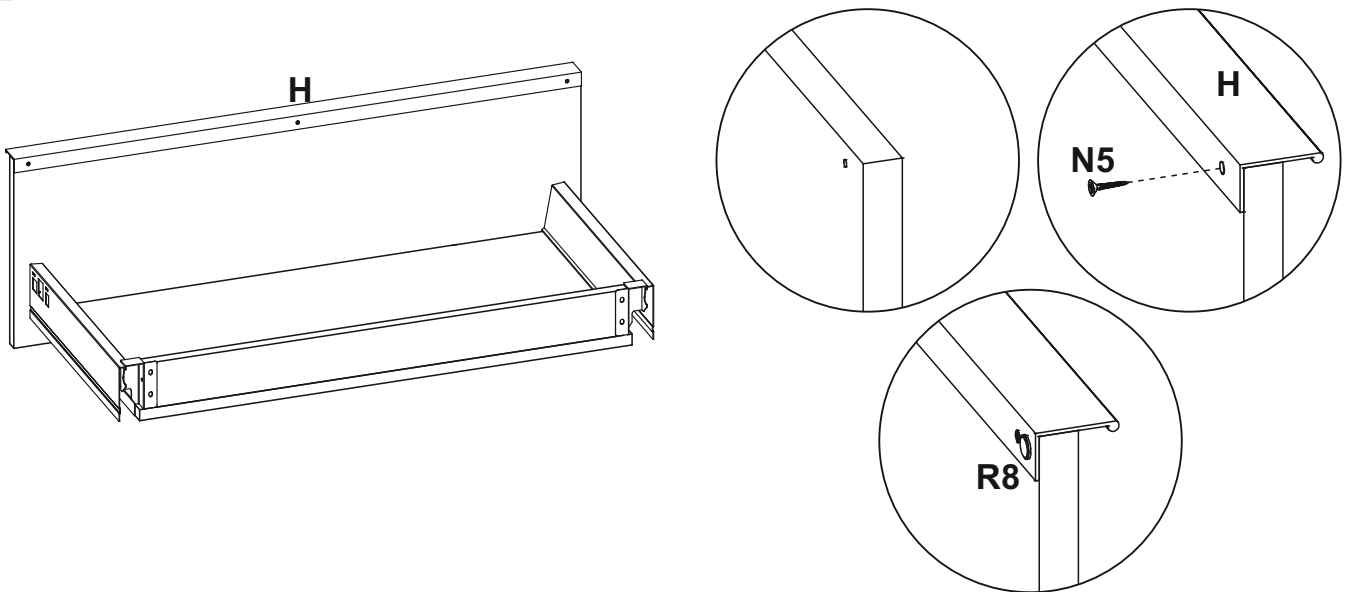
03.



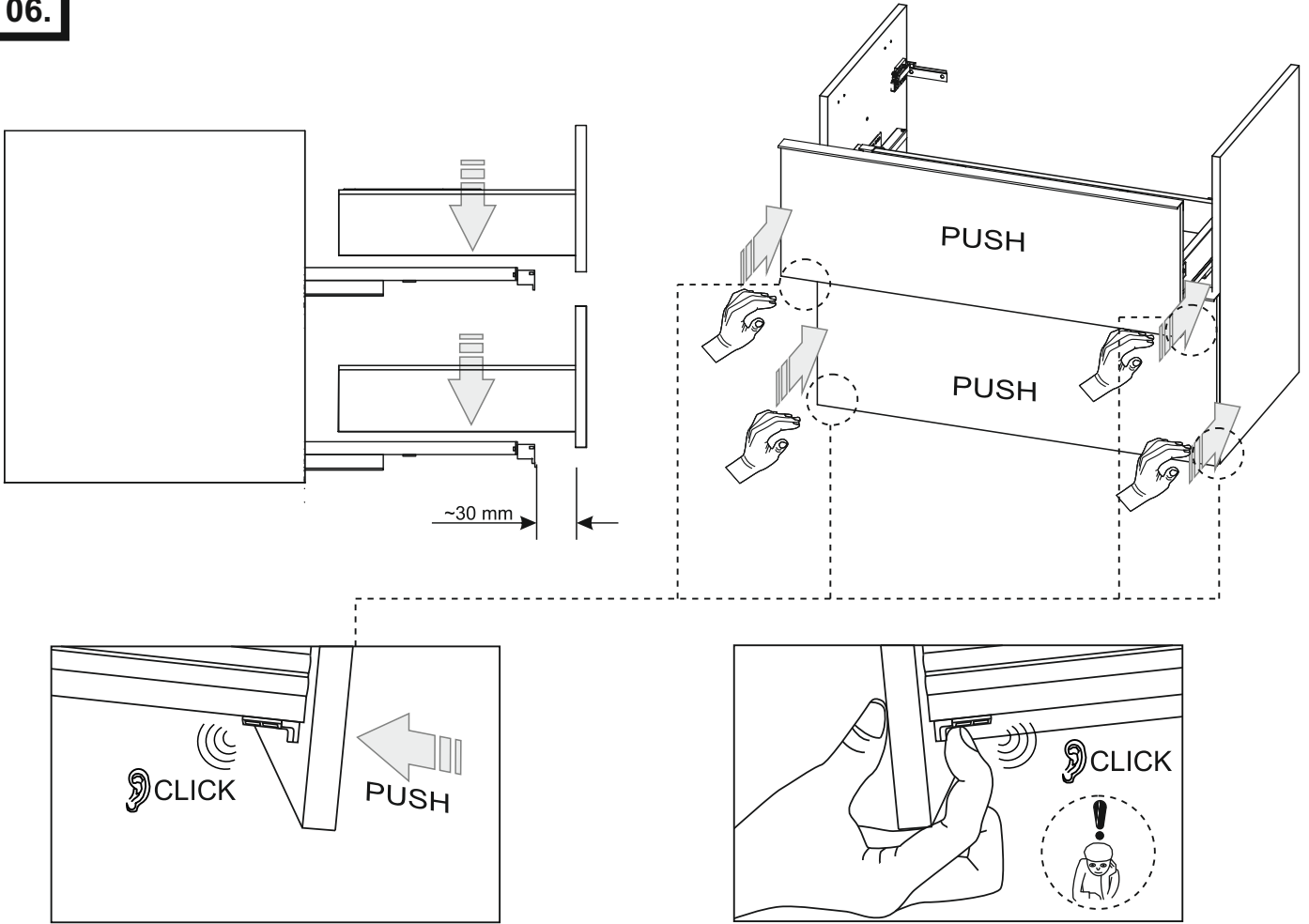
04.



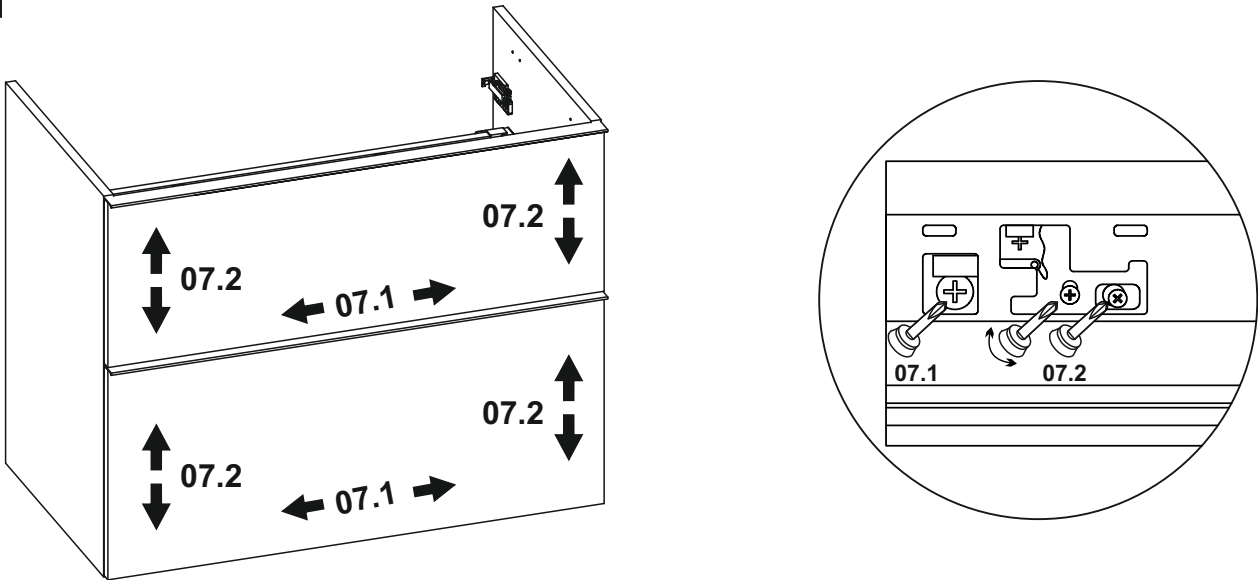
05.



06.



07.



08.

