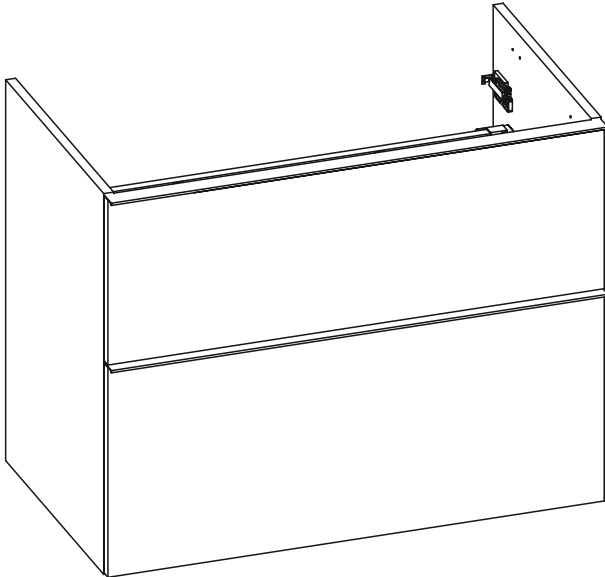
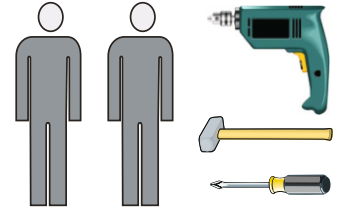
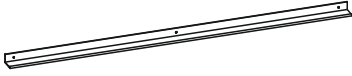

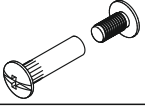

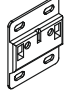


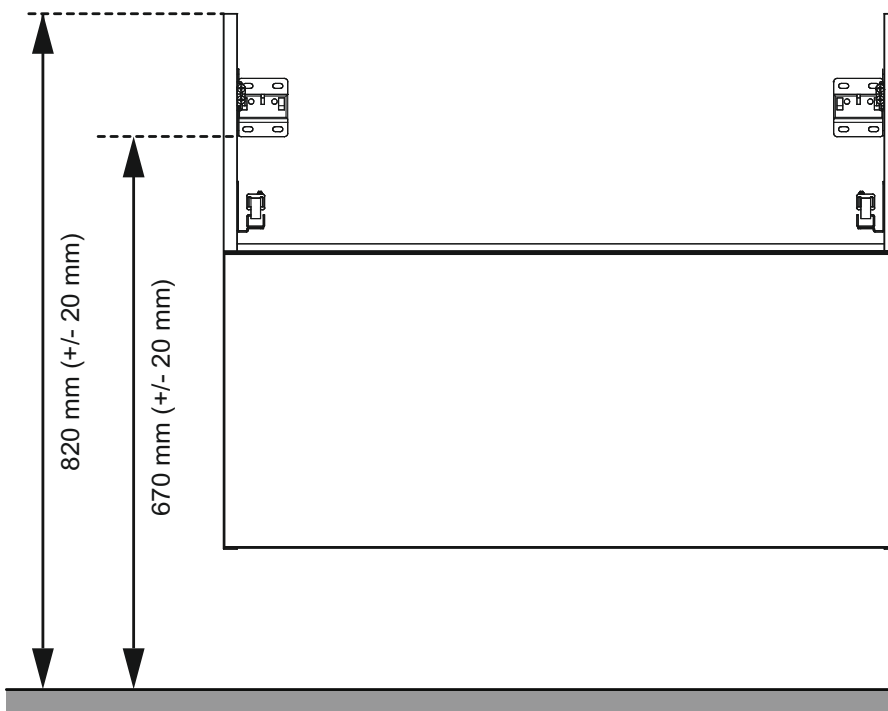
60 2DR  
80 2DR  
100 2DR



<b>H</b>

x 2

<b>R8</b>	<b>X</b>
	
x 4	x 1
<b>N5</b>	<b>P15</b>
 US3,5x16	
x 6	x 2

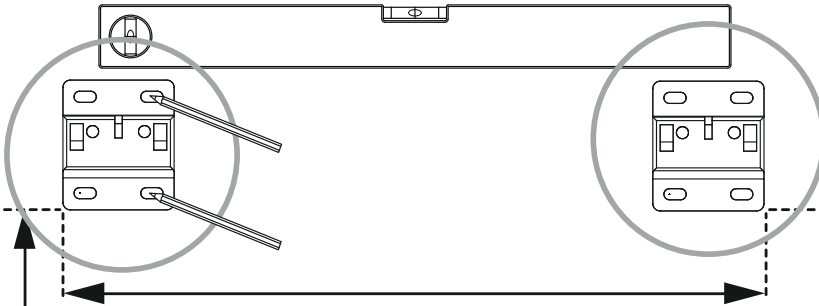
01.



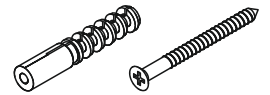
x4



02.

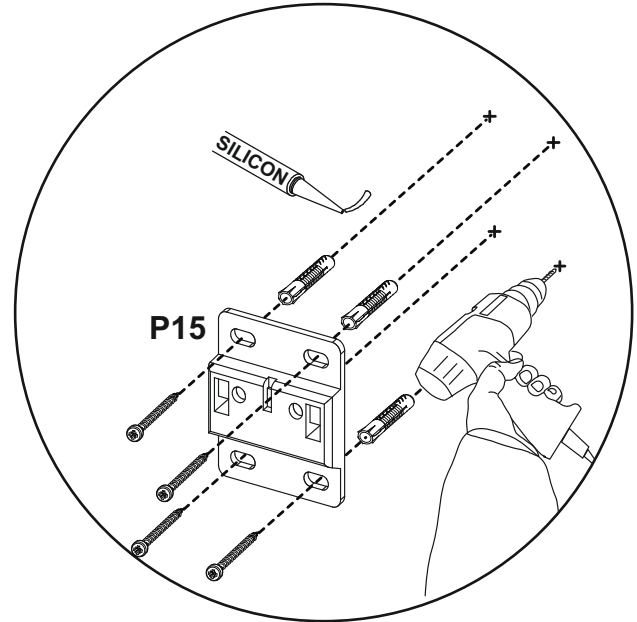
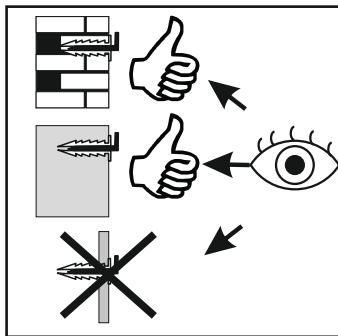


x8

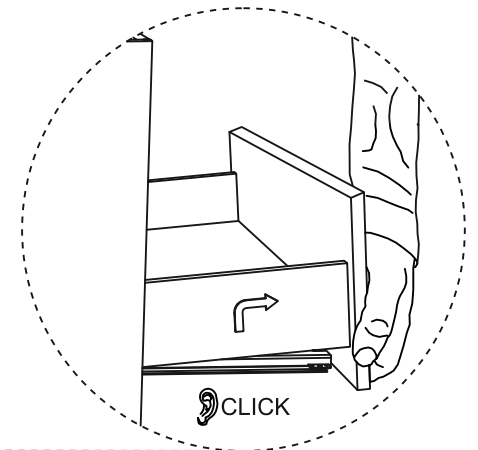
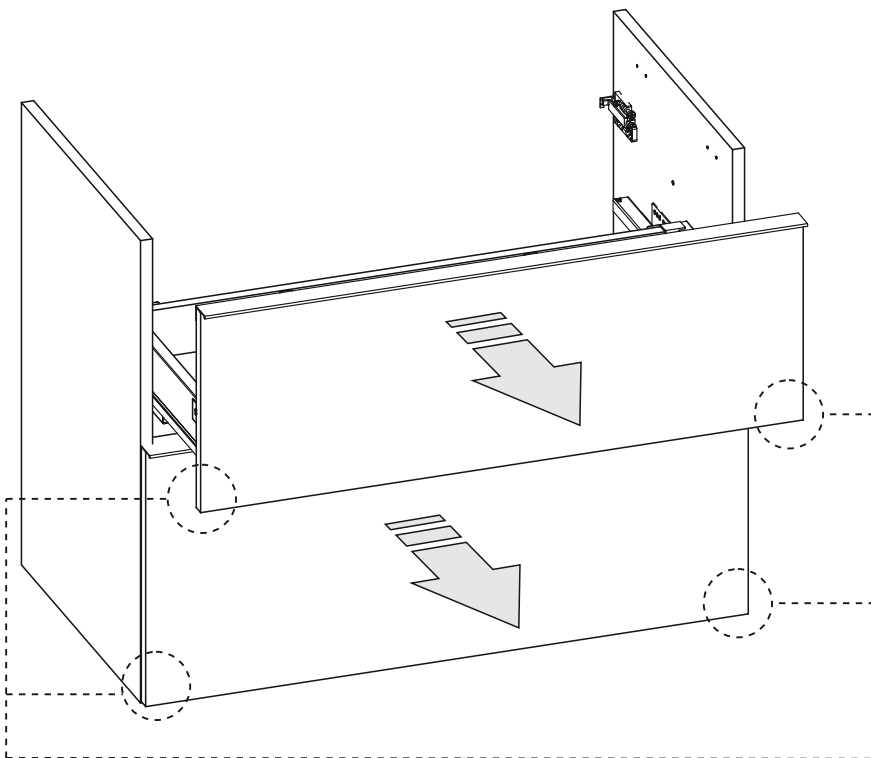


565 mm - 60 2DR  
765 mm - 80 2DR  
965 mm - 100 2DR

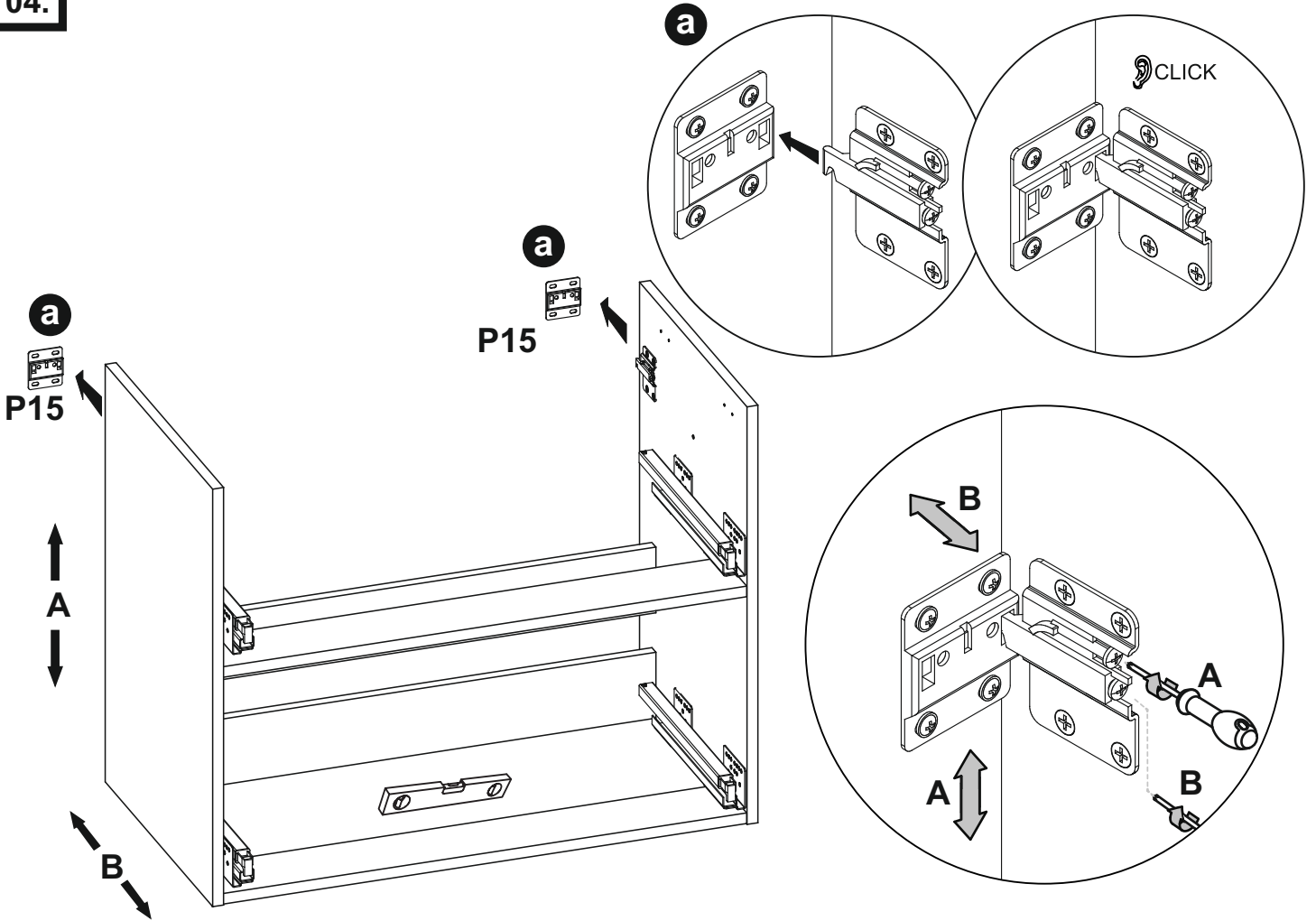
670 mm (+/- 20 mm)



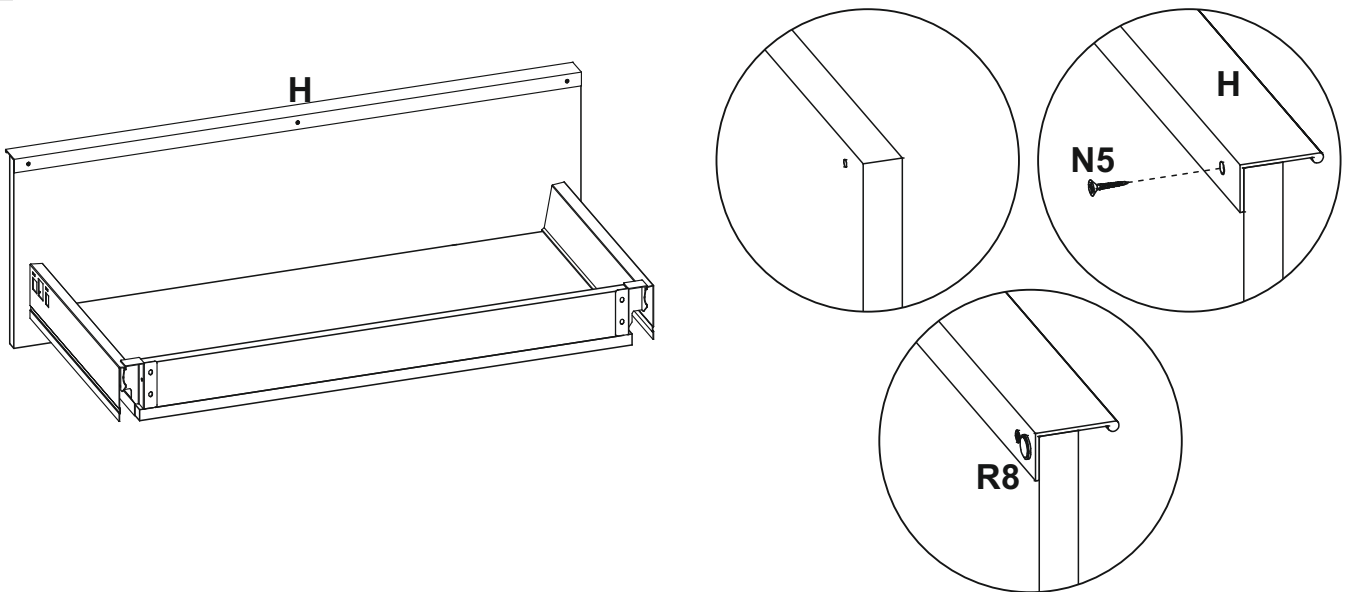
03.



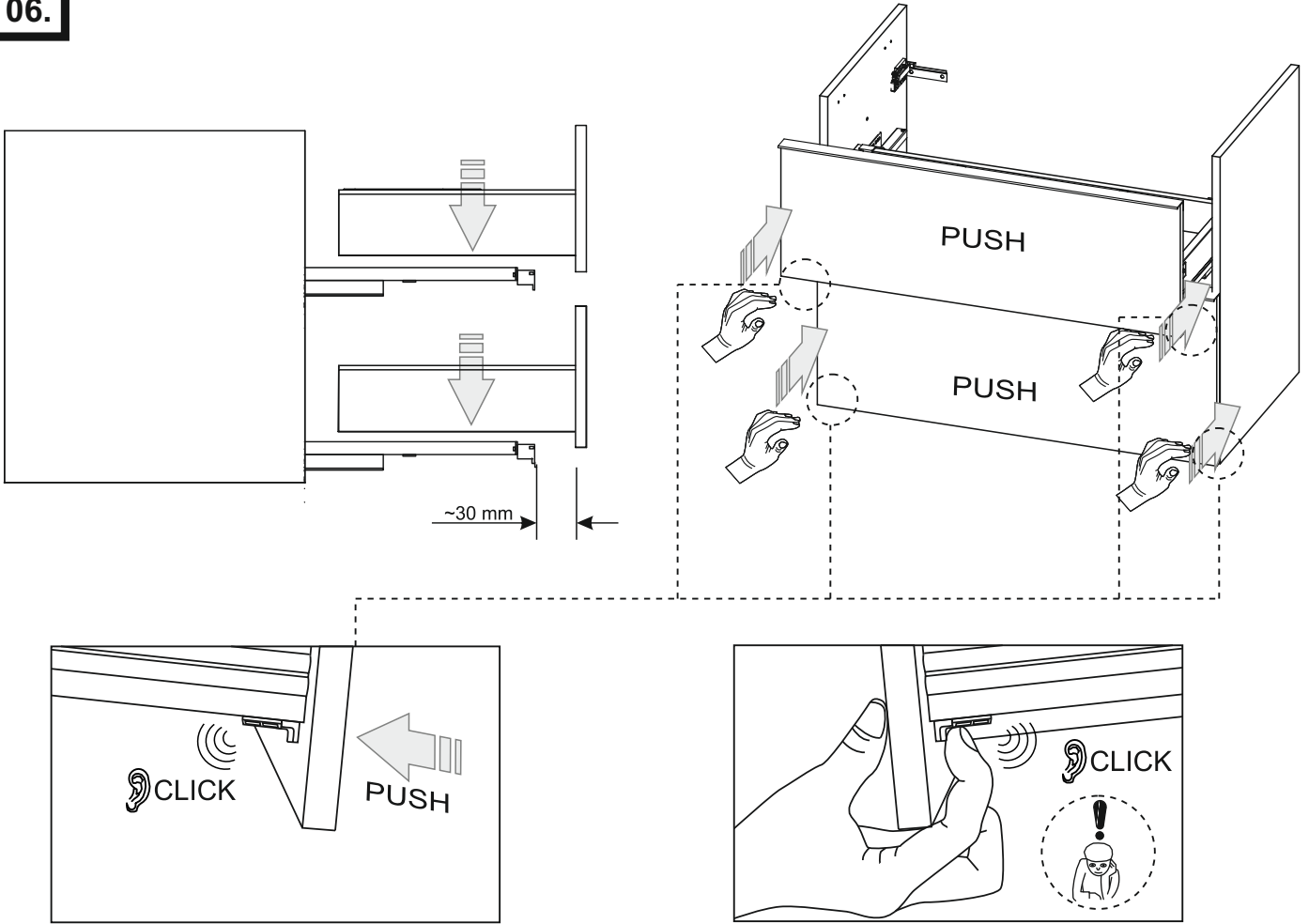
04.



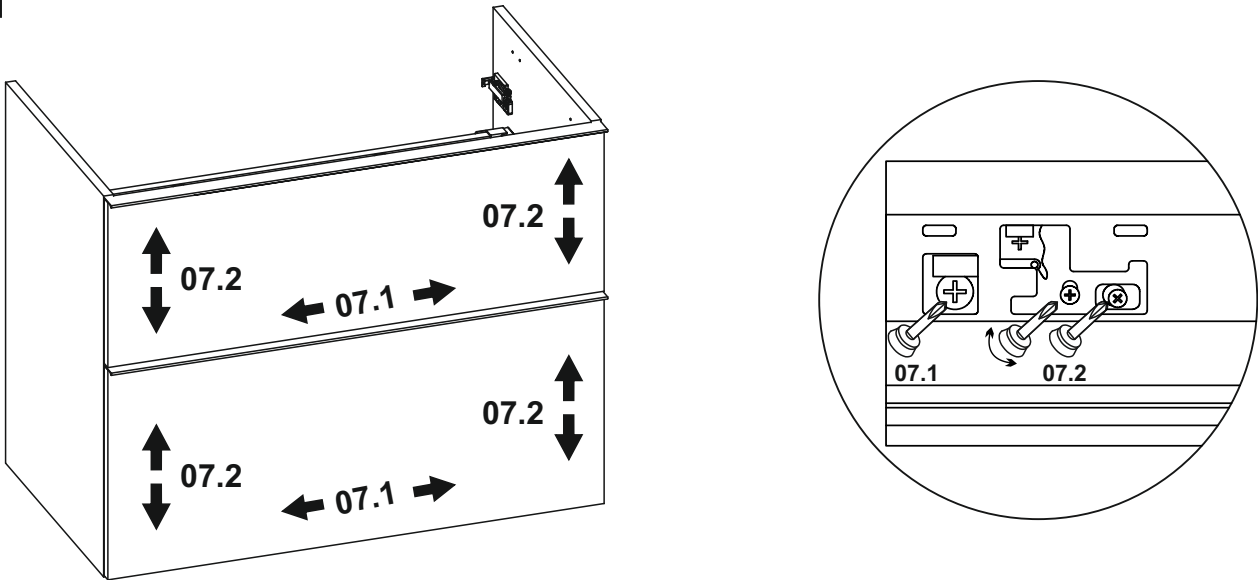
05.



06.



07.



08.

