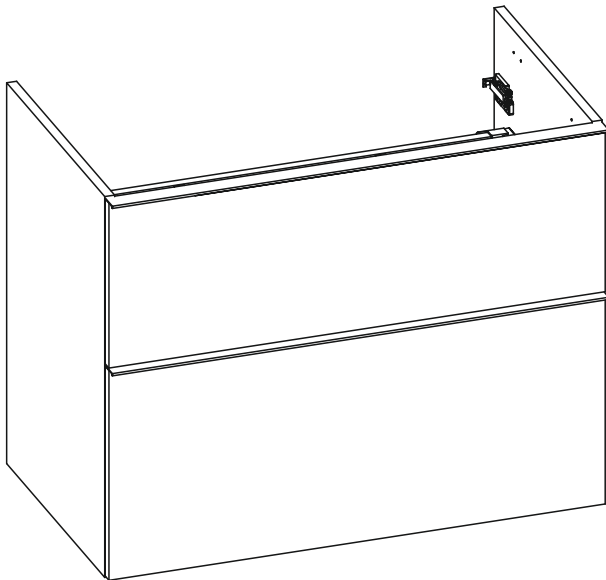
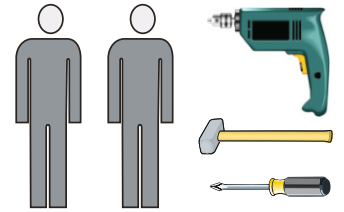

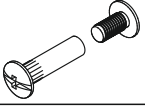


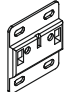



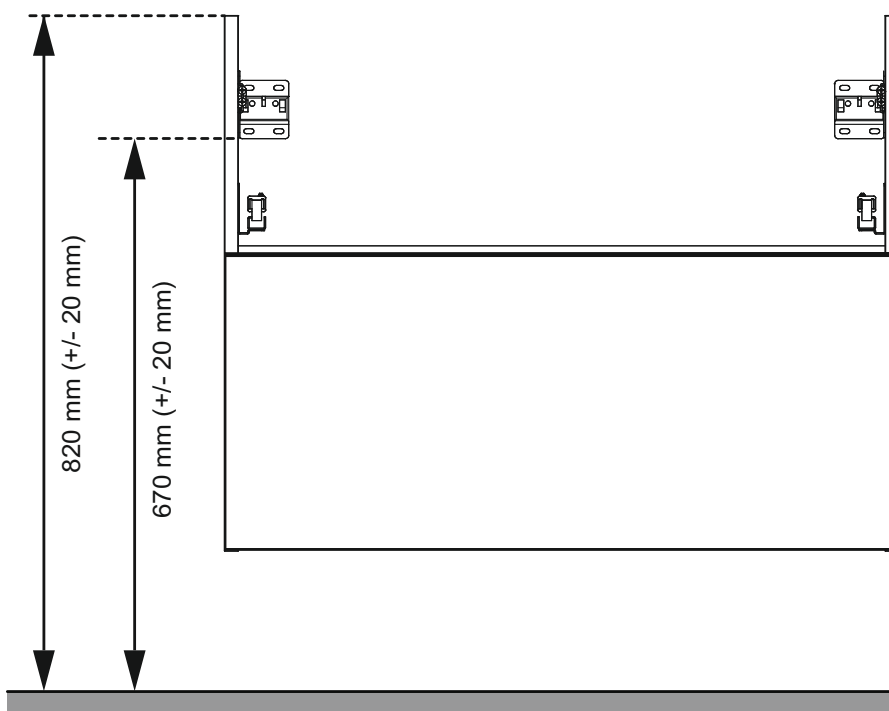
60 2DR  
80 2DR  
100 2DR



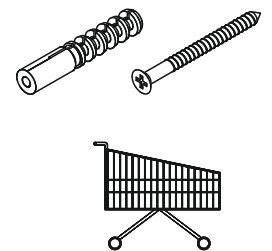
<b>R8</b>	<b>X</b>
	
x 4	x 1
<b>H</b>	<b>N5</b>
	
x 2	US3,5x16 x 6
	<b>P15</b>
	
	x 2

<b>H</b>

x 2

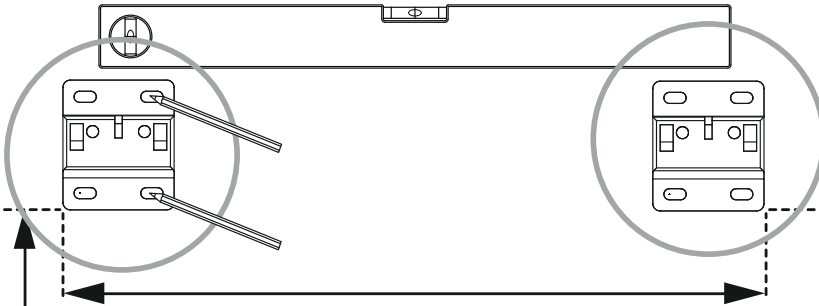
01.



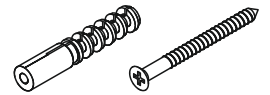
x4



02.

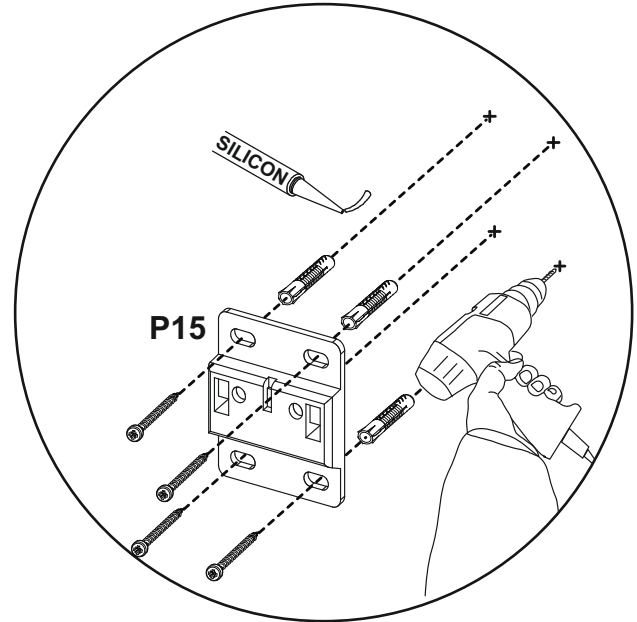
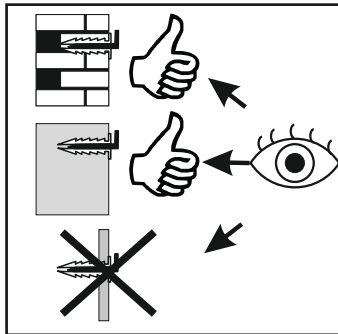


x8

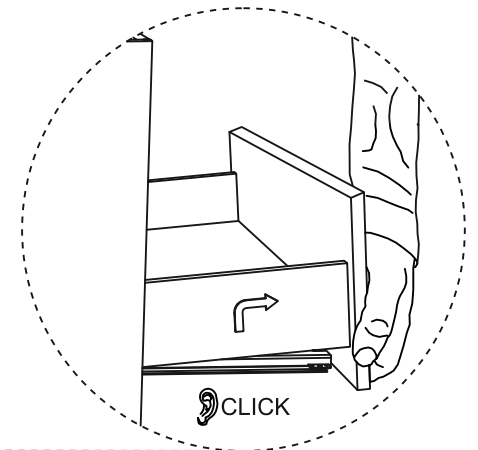
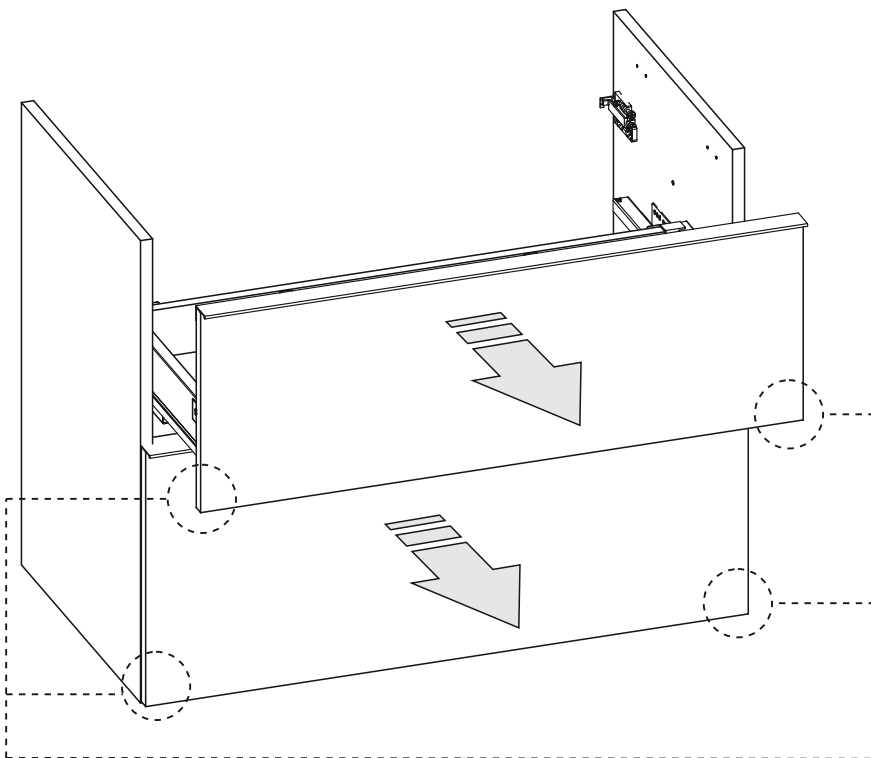


565 mm - 60 2DR  
765 mm - 80 2DR  
965 mm - 100 2DR

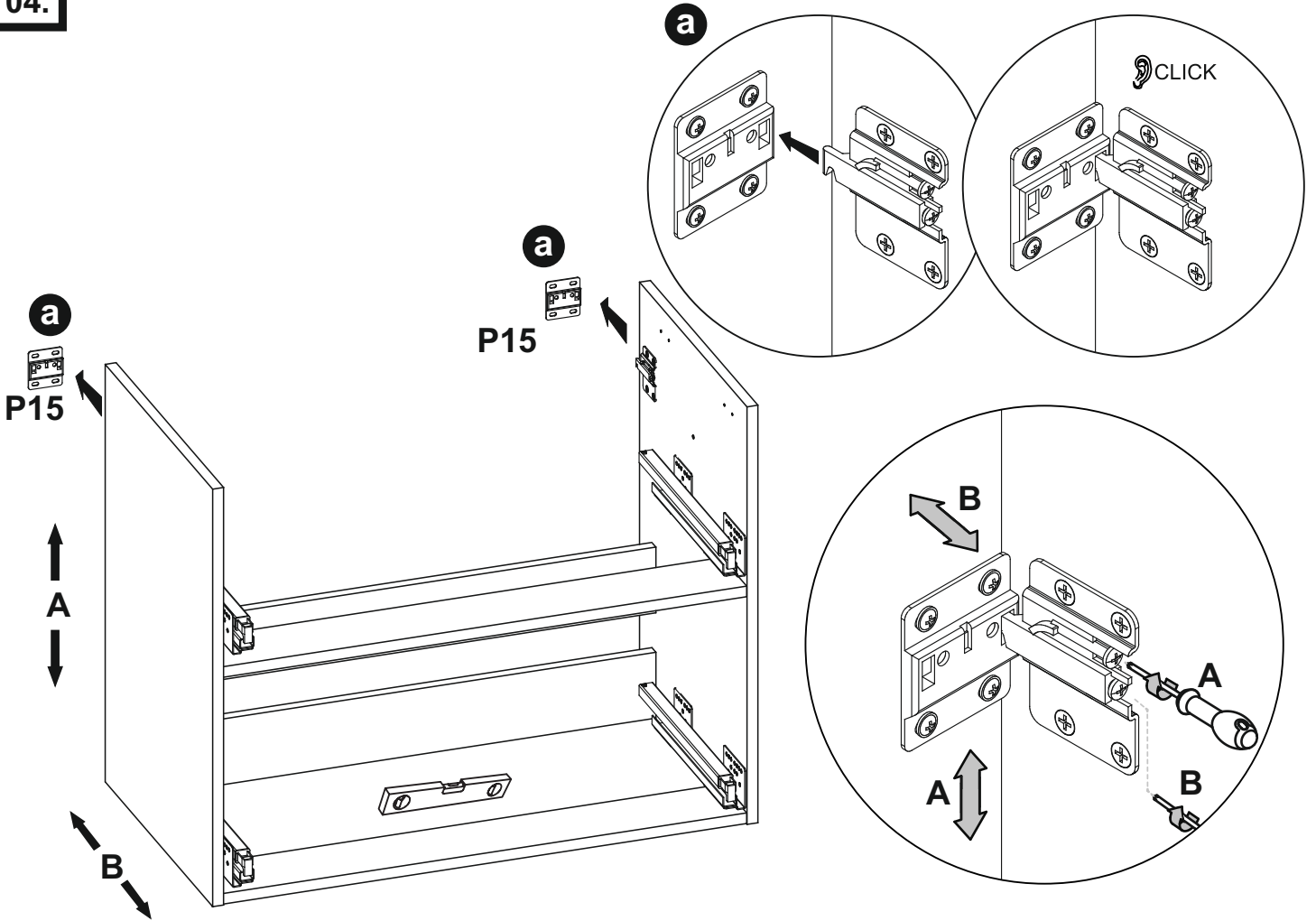
670 mm (+/- 20 mm)



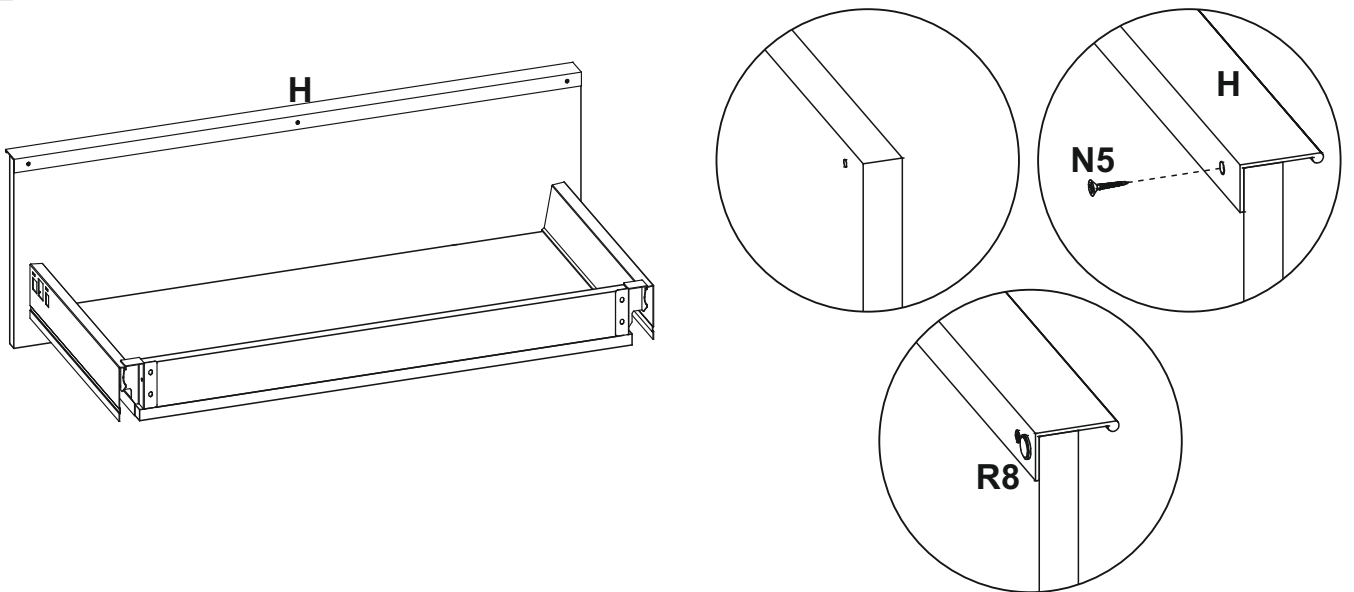
03.



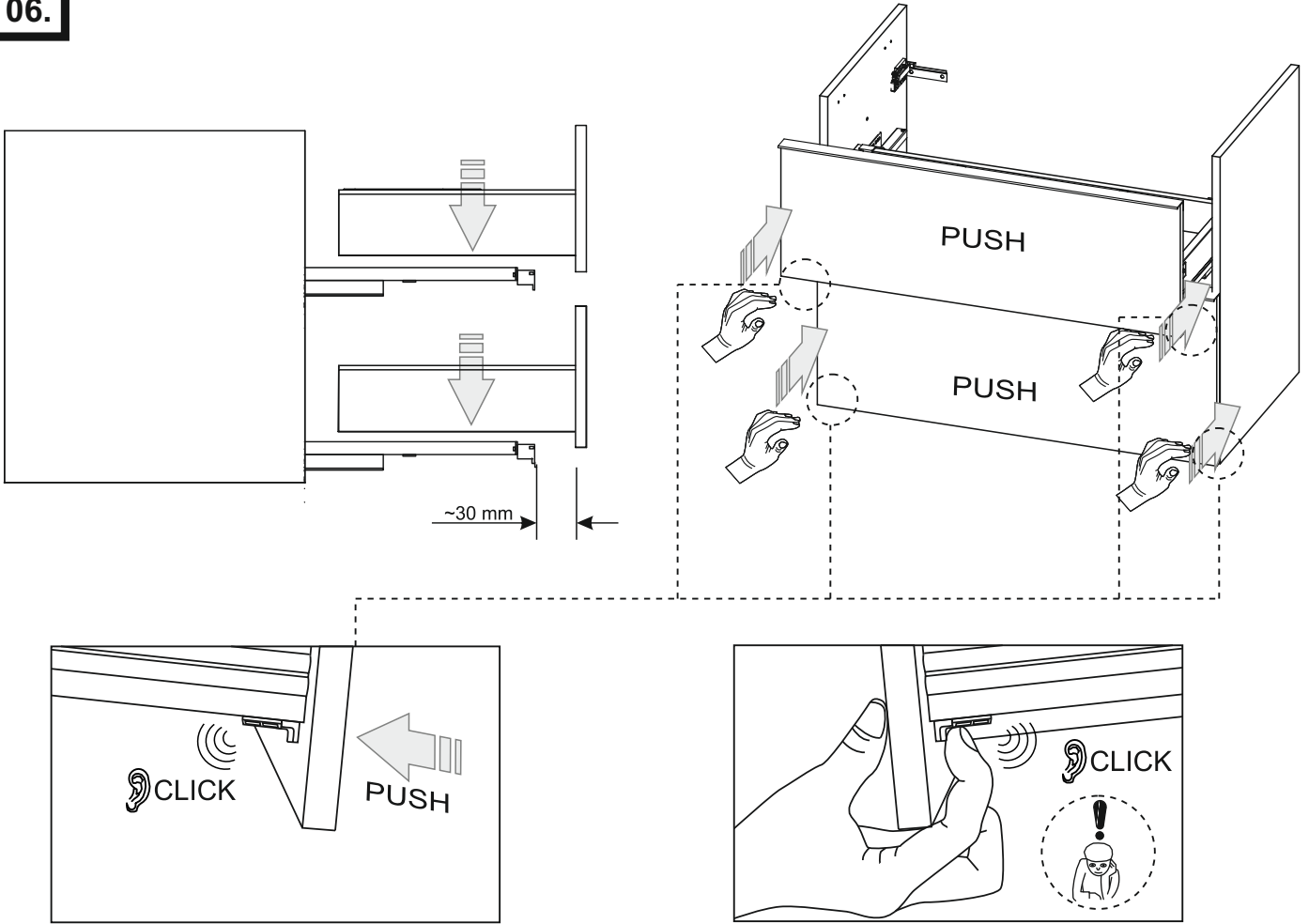
04.



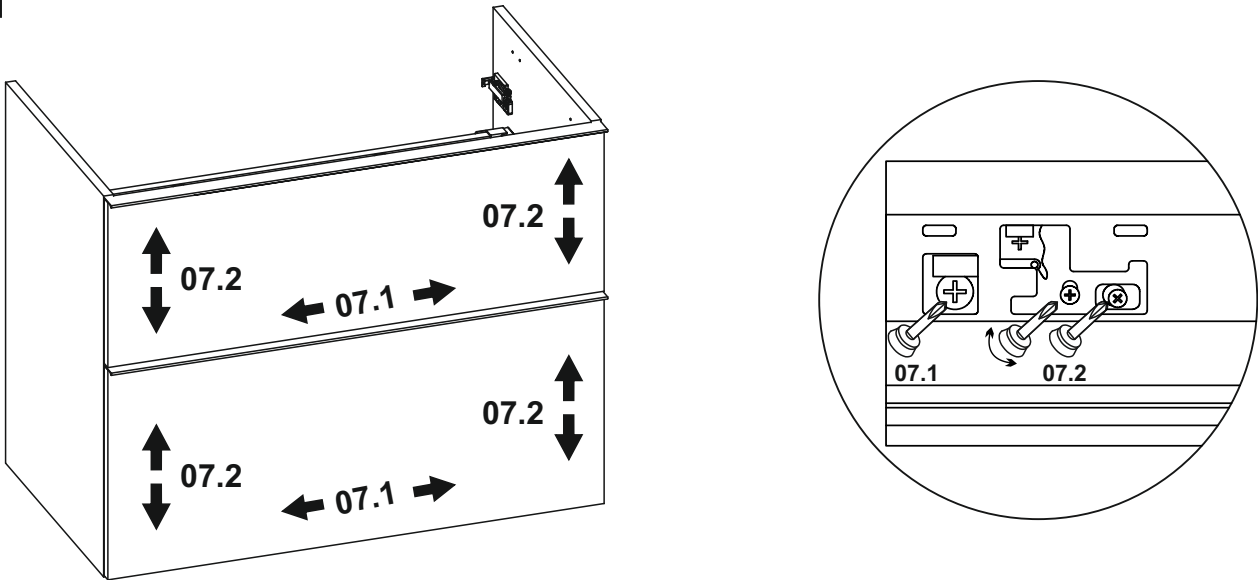
05.



06.



07.



08.

