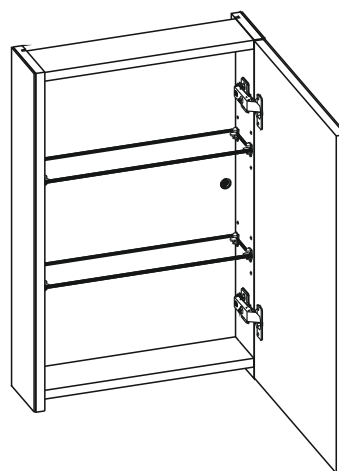
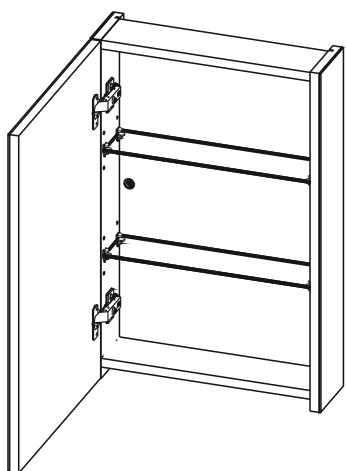
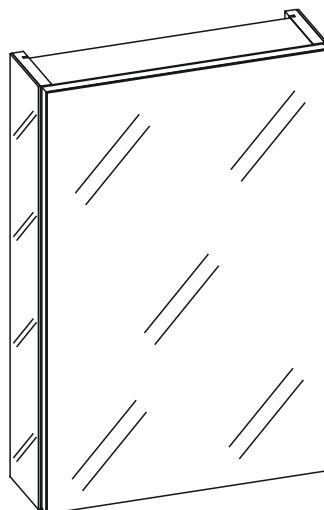
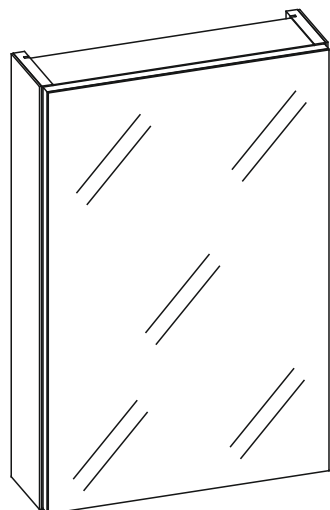

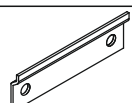

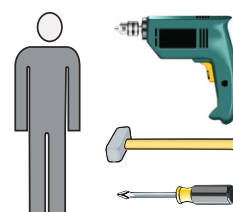
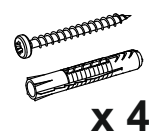


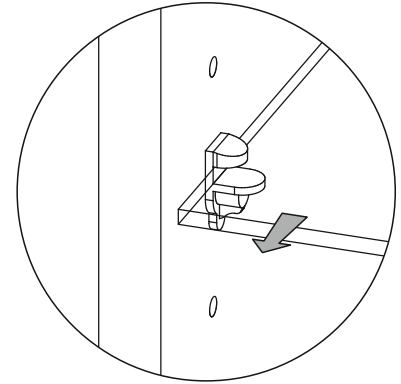
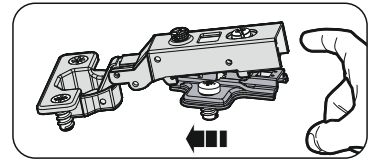
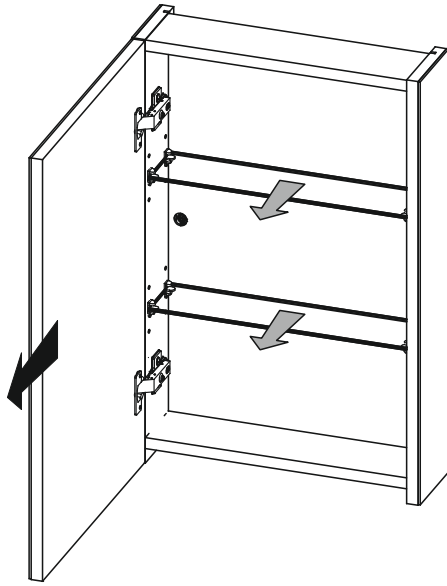
40 1D
50 1D



P2	P11	P0
 ø 18		 ø 5
x 2	x 2	x 20



1



2

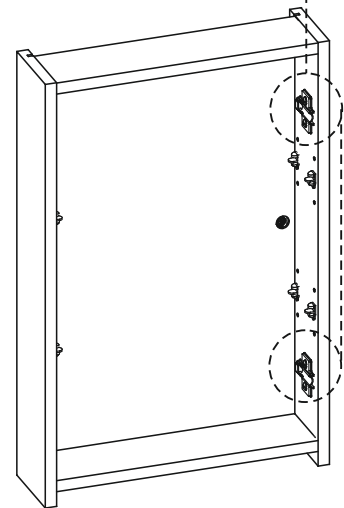
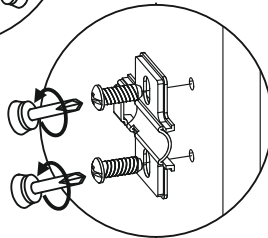
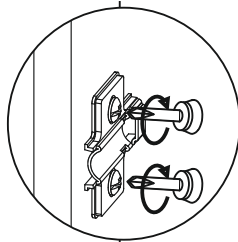
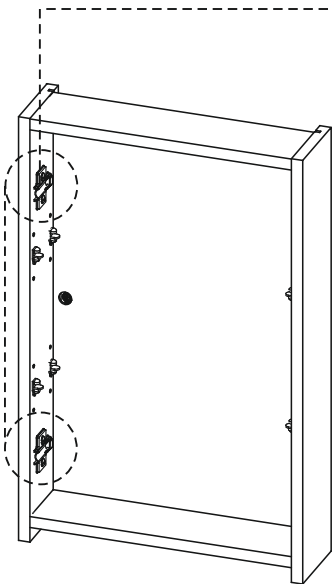


→ 04. 05. →

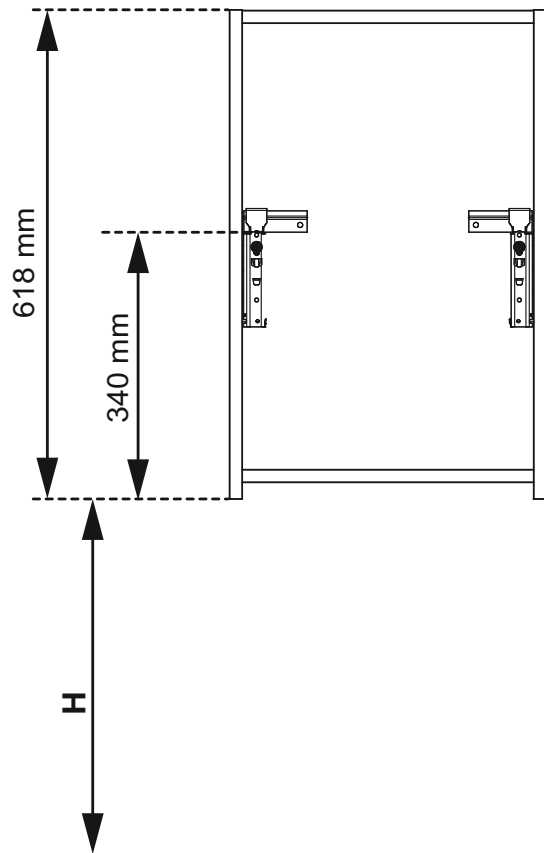


→ 03. 04. 05. →

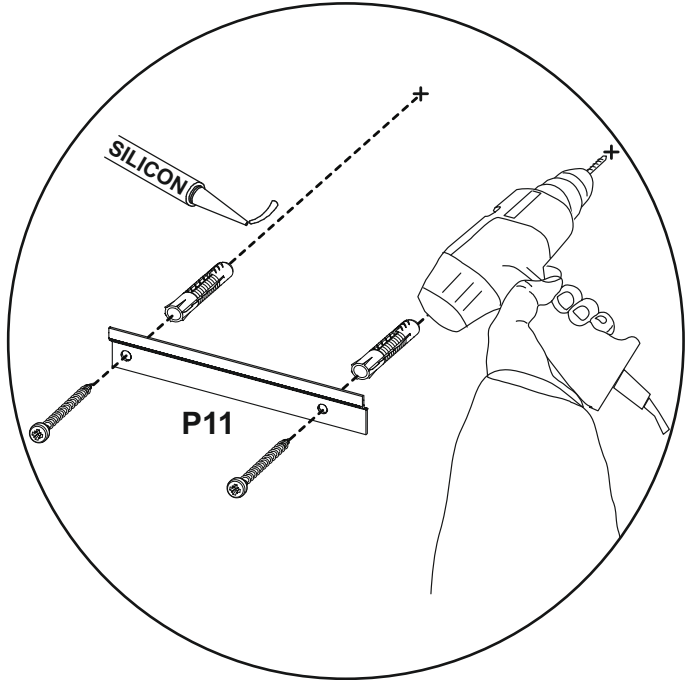
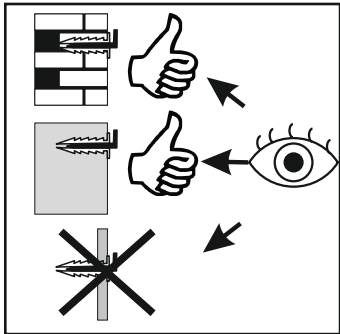
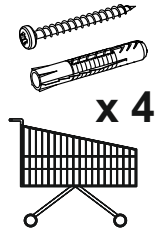
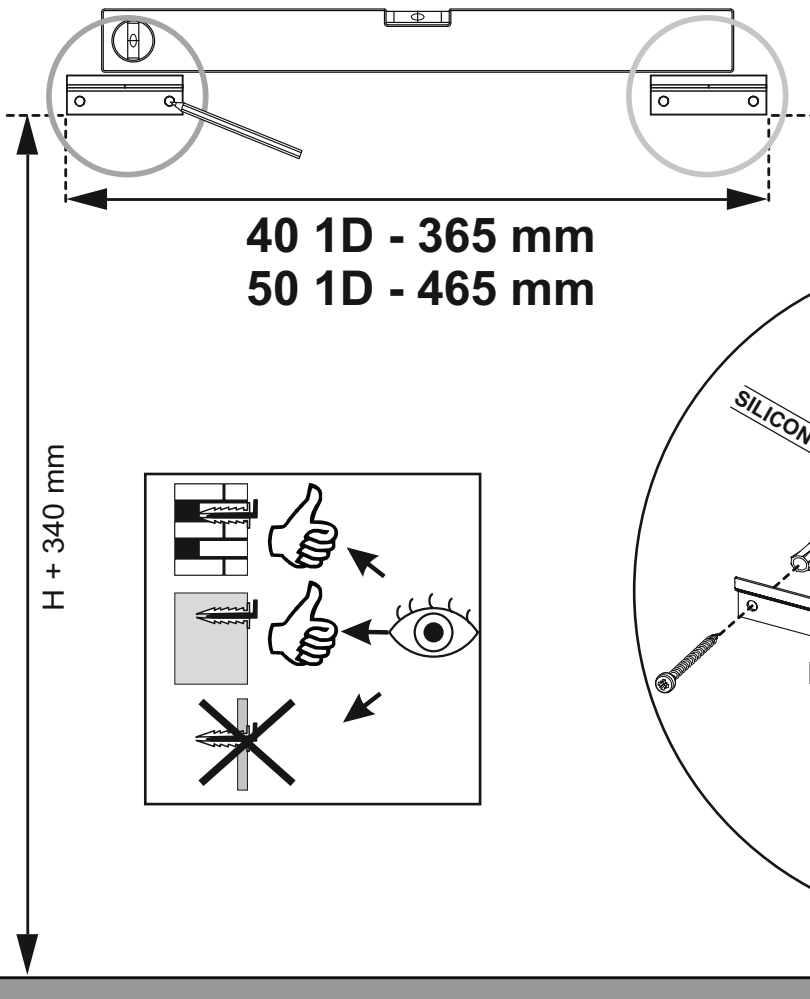
3



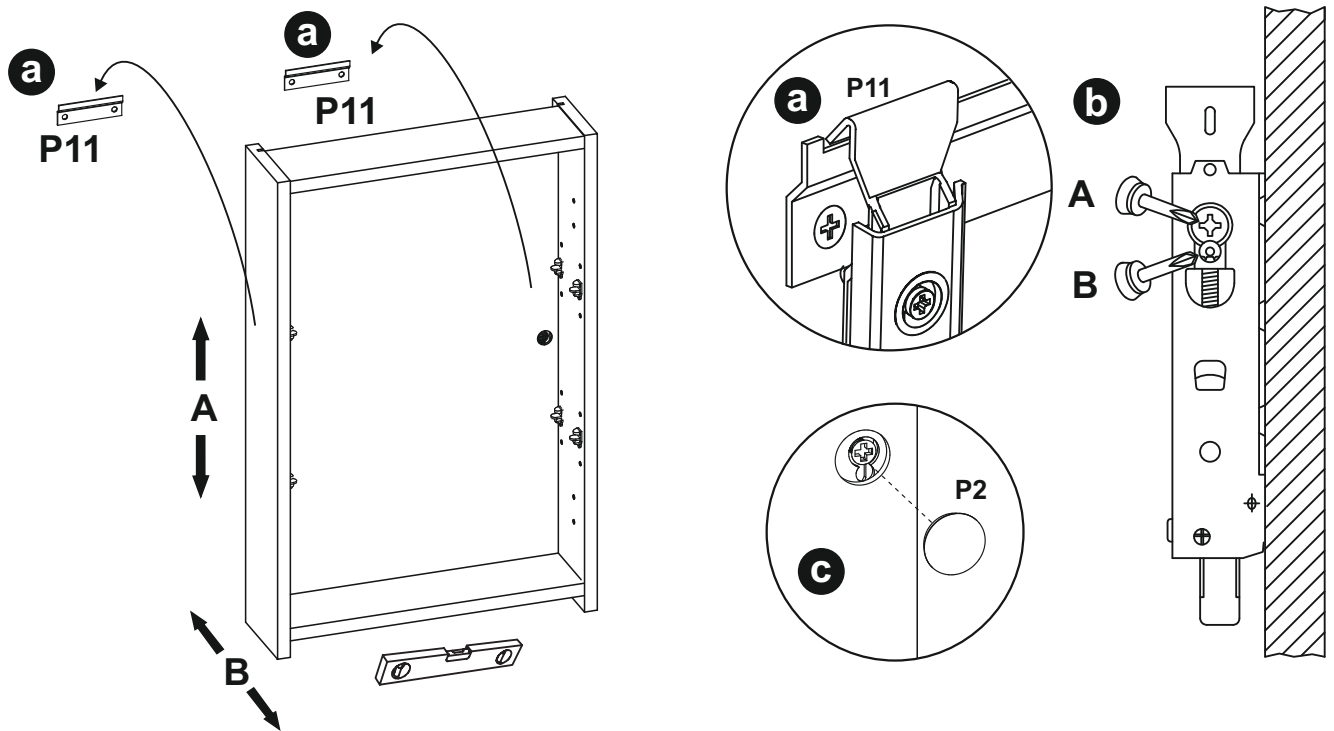
4



5



6



7

