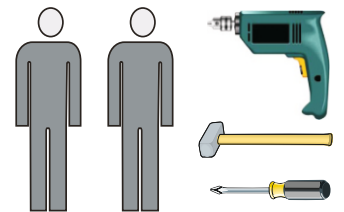
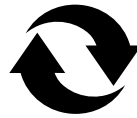
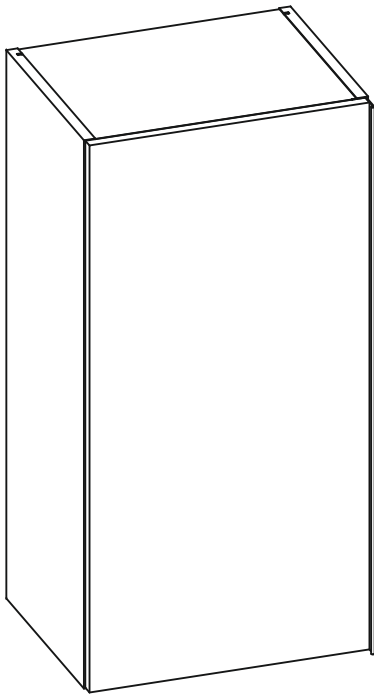





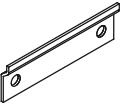
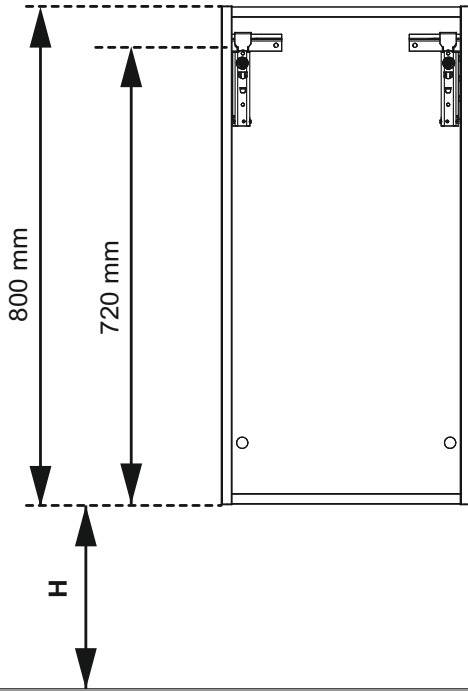


# 40 1D (21,6 / 31,6)

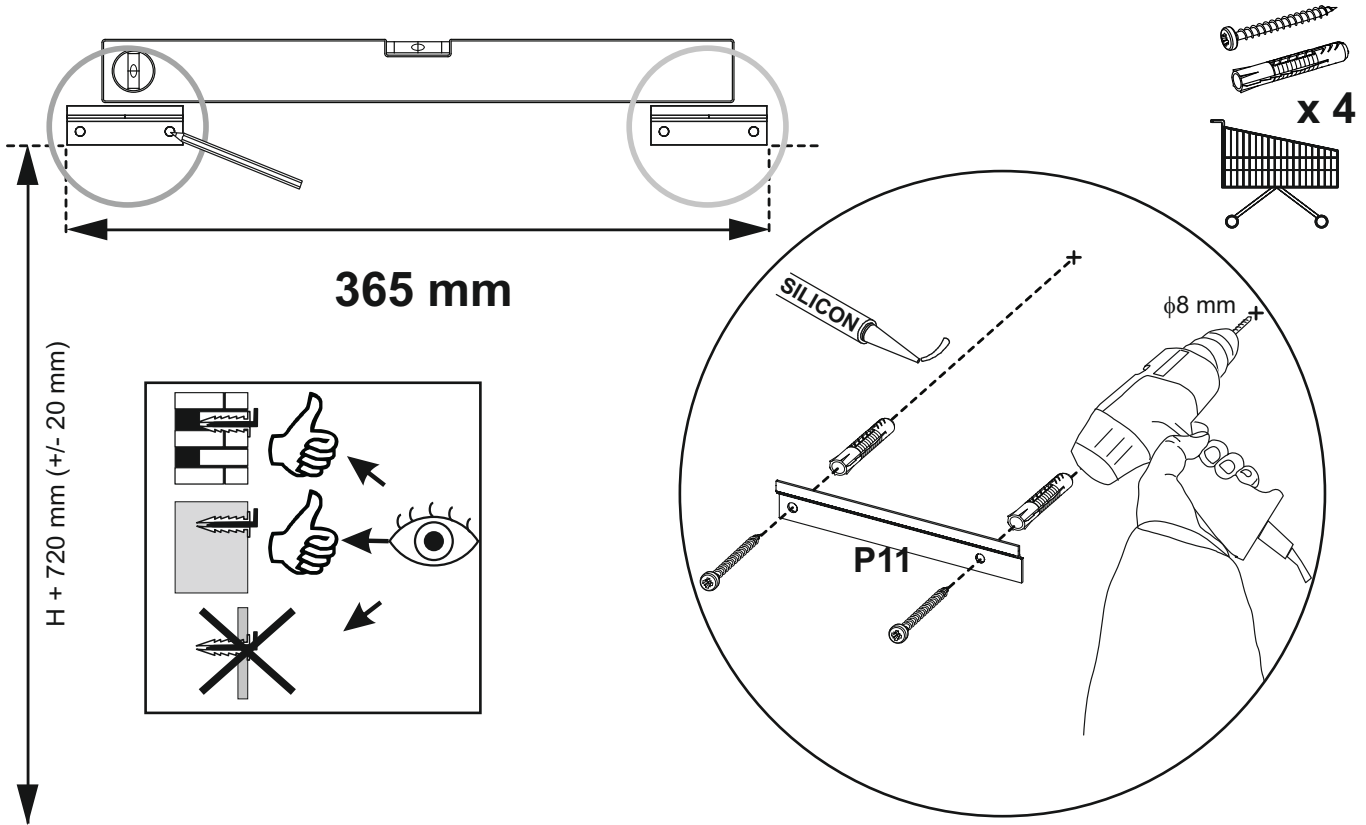


<b>H</b>	<b>N5</b>	<b>R8</b>
	 US3,5x16	
x 1	x 3	x 2
<b>P0</b>	<b>P2</b>	<b>P11</b>
 ø 5	 ø 18	
x 20	x 4	x 2

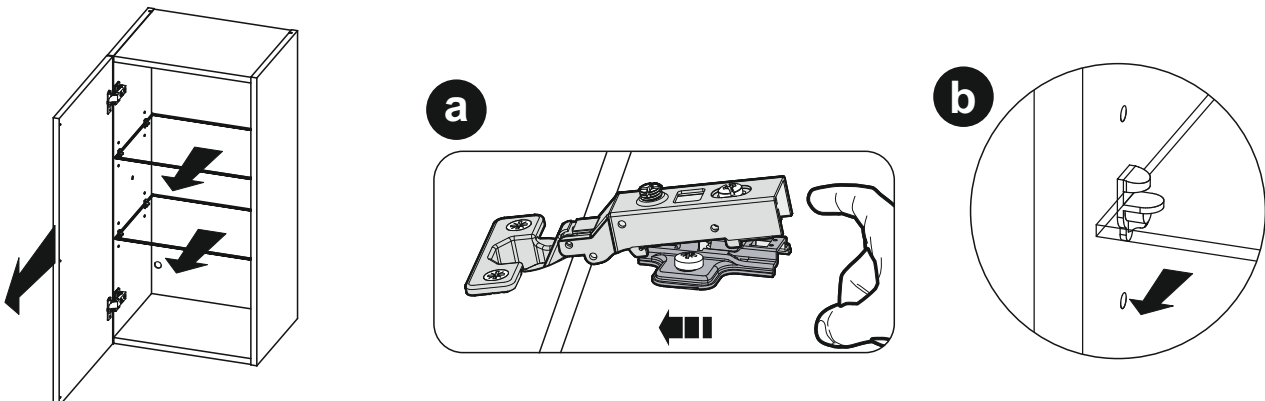
01.



02.



03.



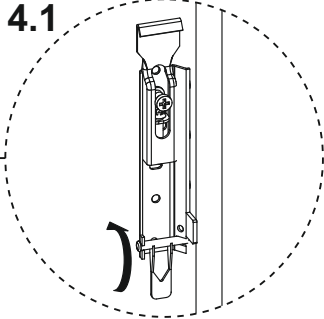
**04.**



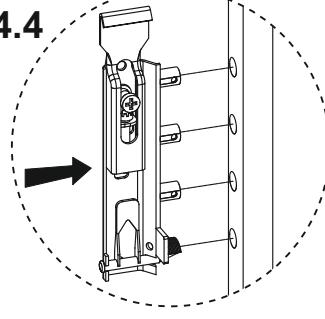
**05.**



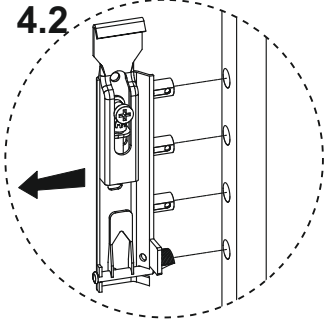
**4.1**



**4.4**



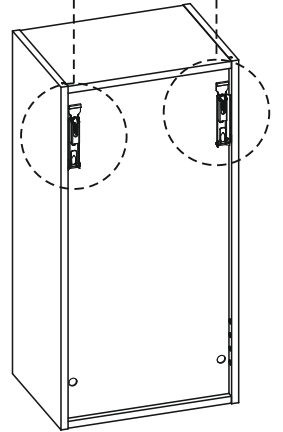
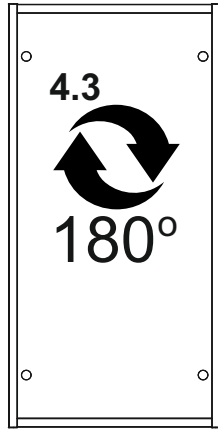
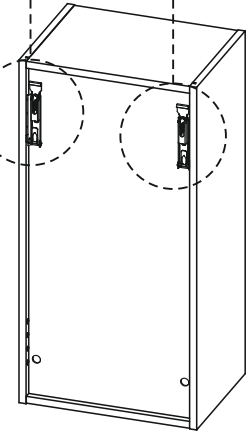
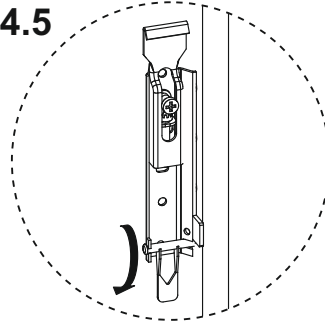
**4.2**



**4.3**

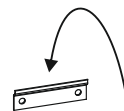
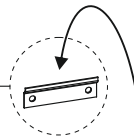


**4.5**

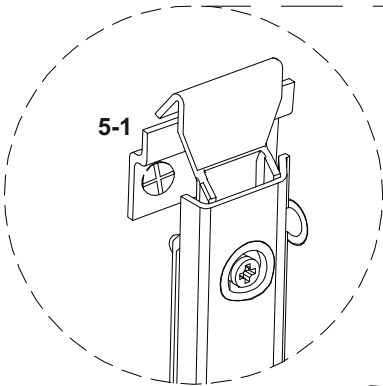


**05.**

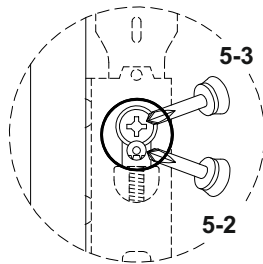
**5-1**



**5-1**



**5-3**

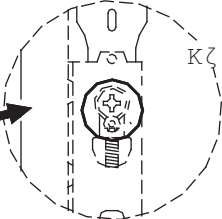


**5-2**

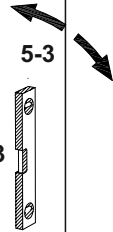
**P2**



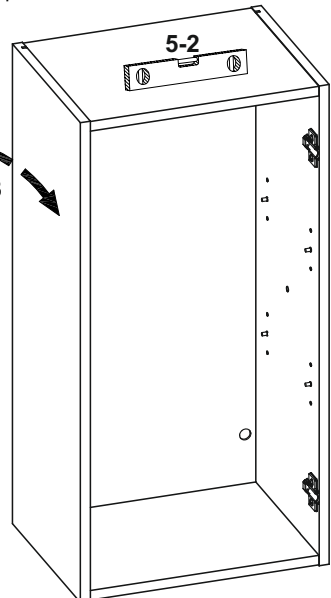
**KZL**



**5-3**



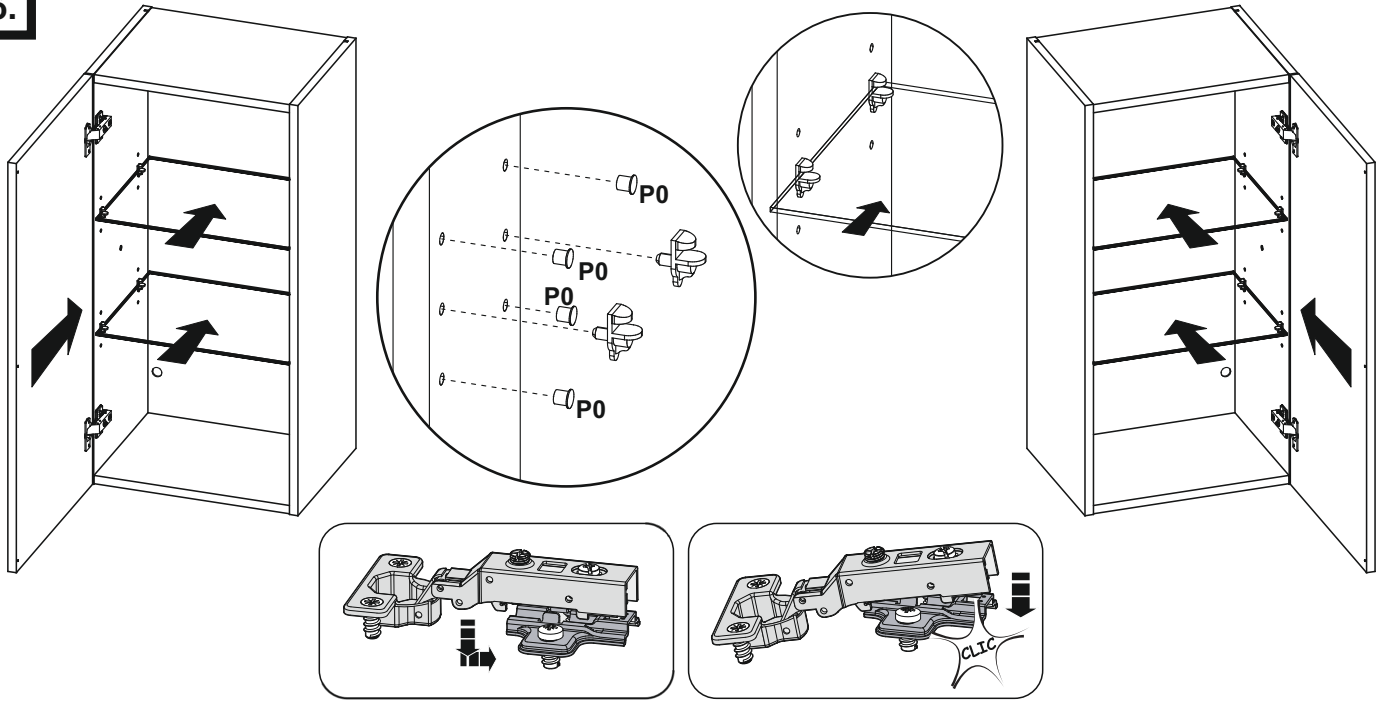
**5-2**



**5-2**



06.



07.

