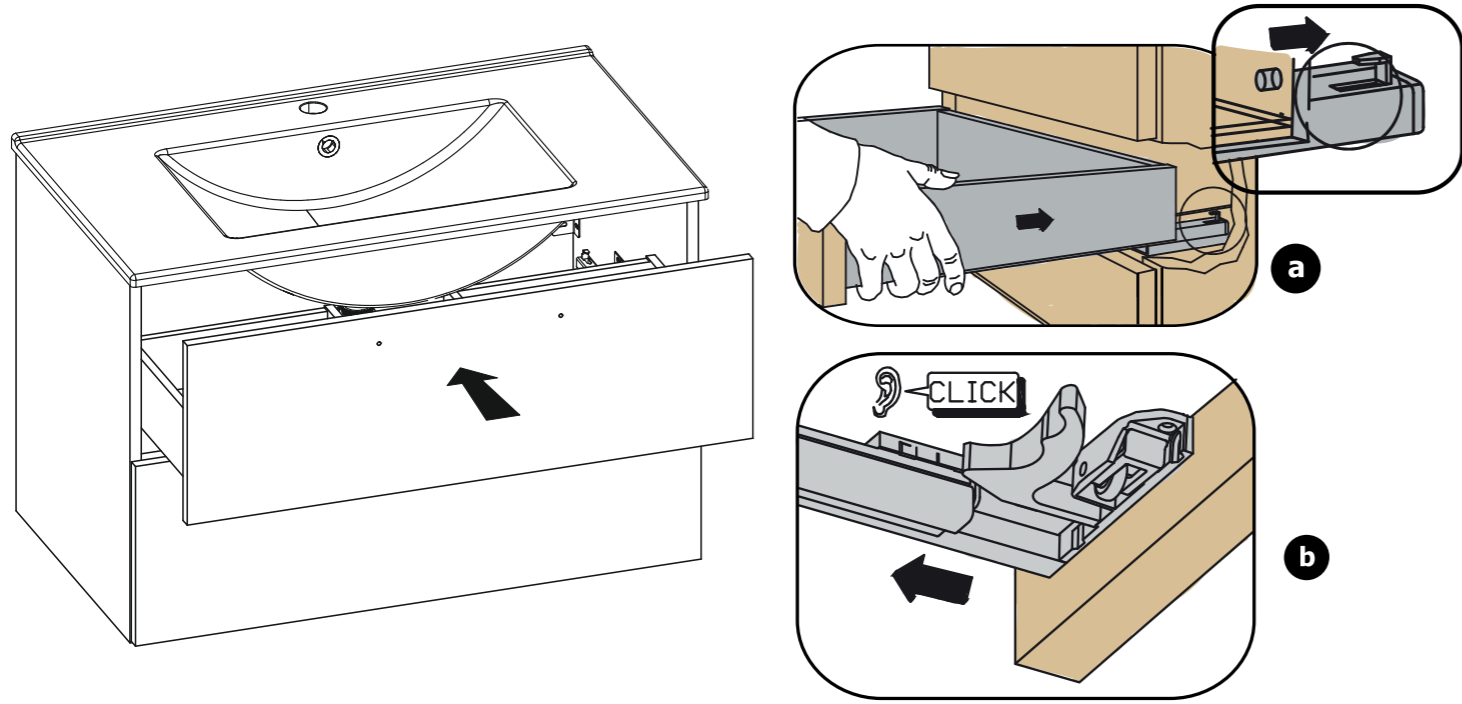
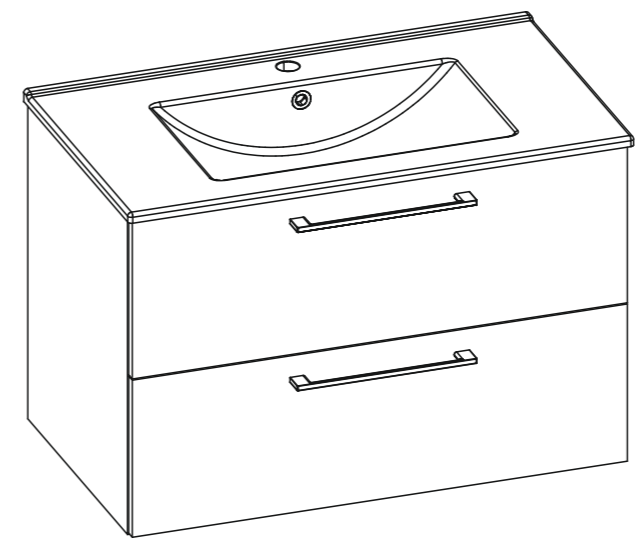


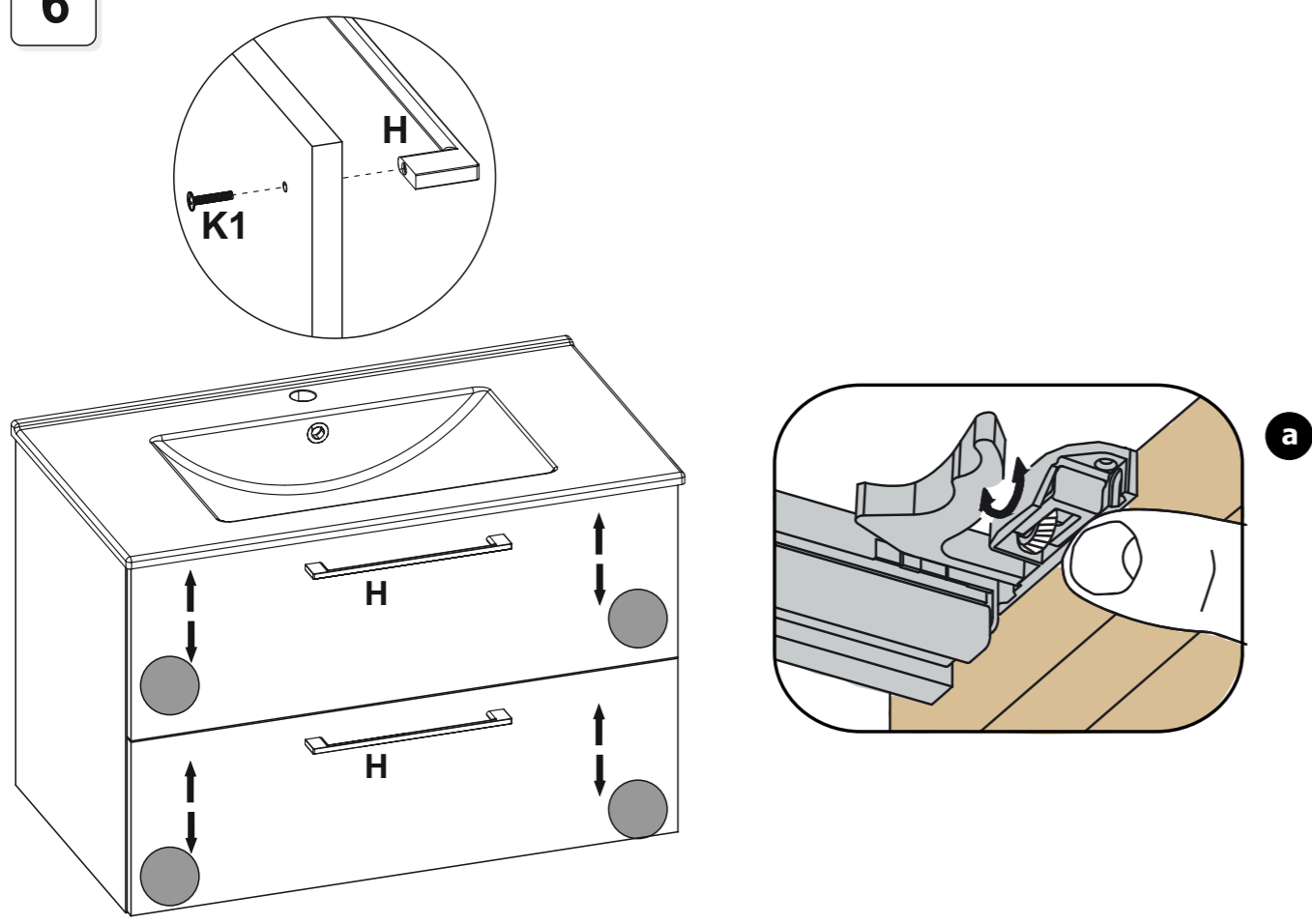
5



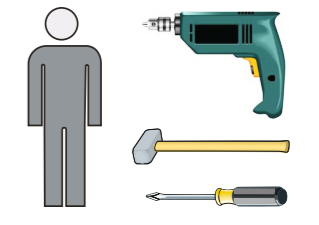
60/80/100 2DR



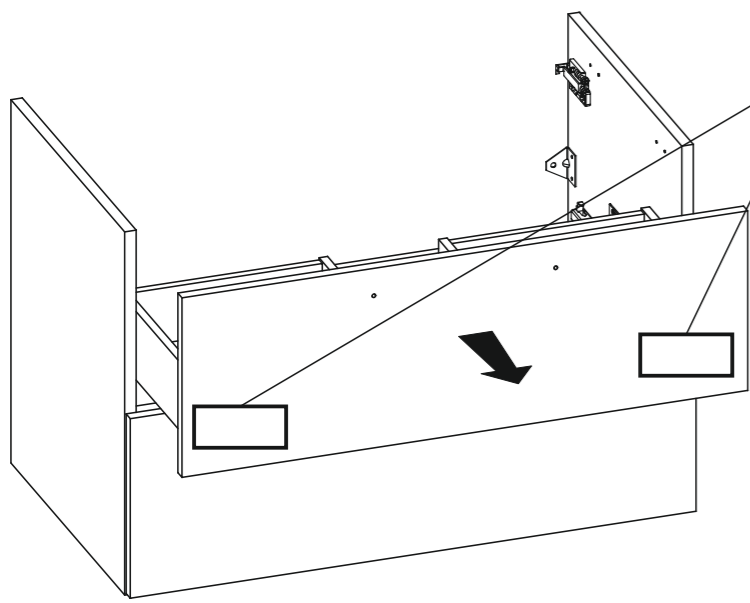
6



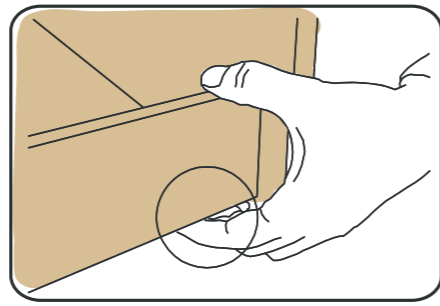
P11 x 2	R1 x 4	K1 M4x22 x 4
H		
 x 2		



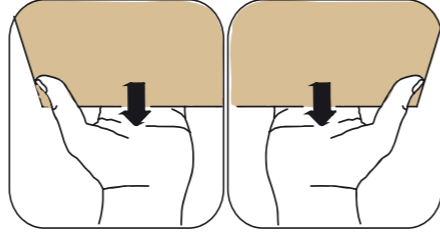
1



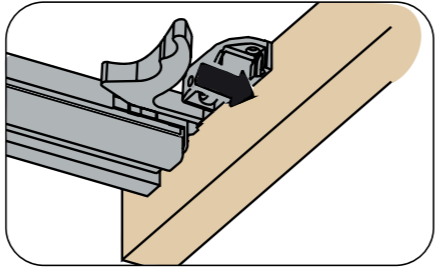
a



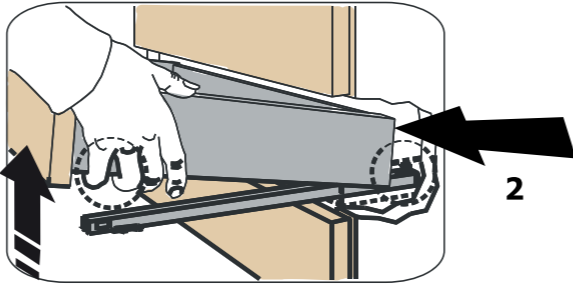
b



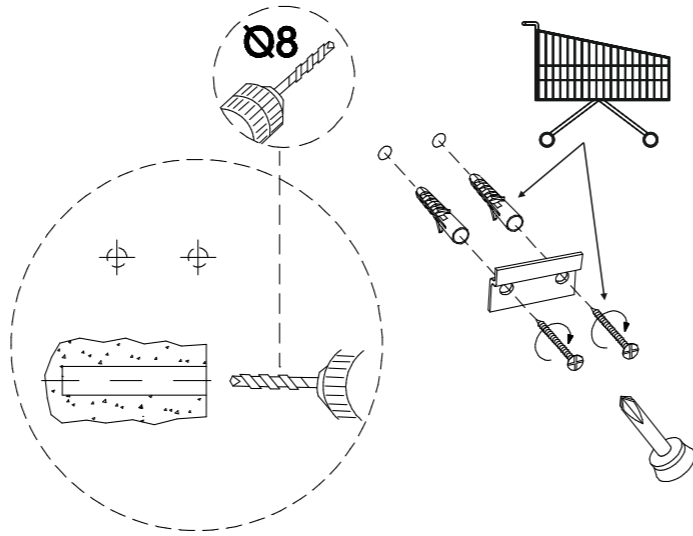
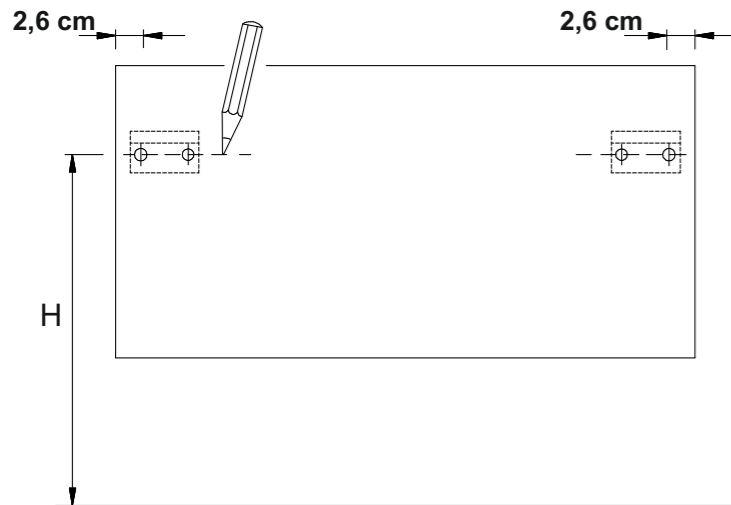
c



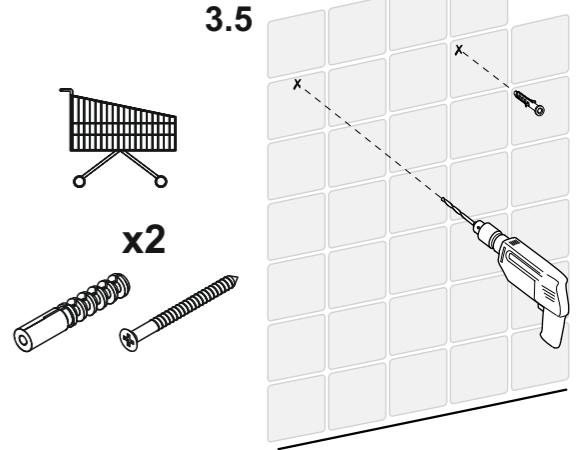
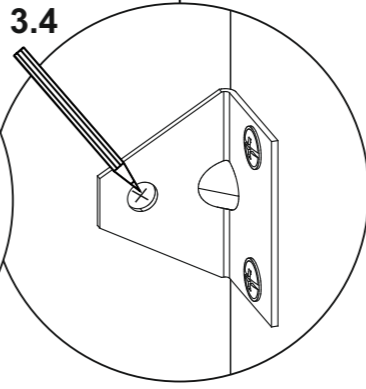
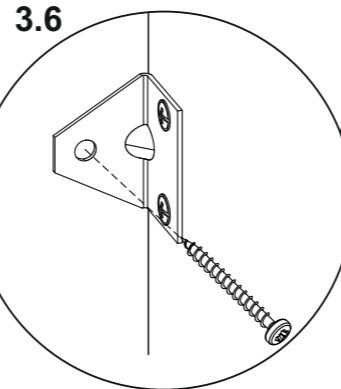
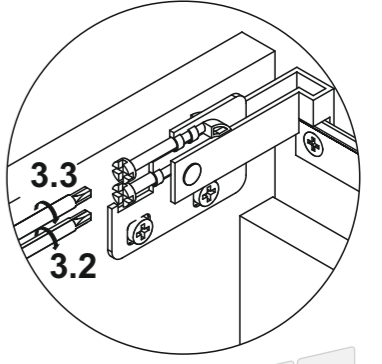
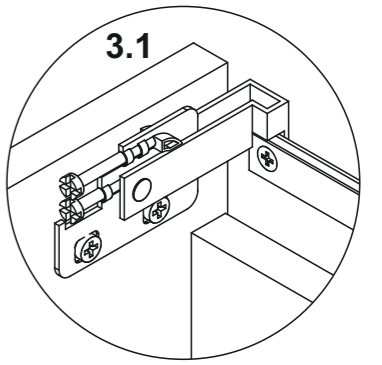
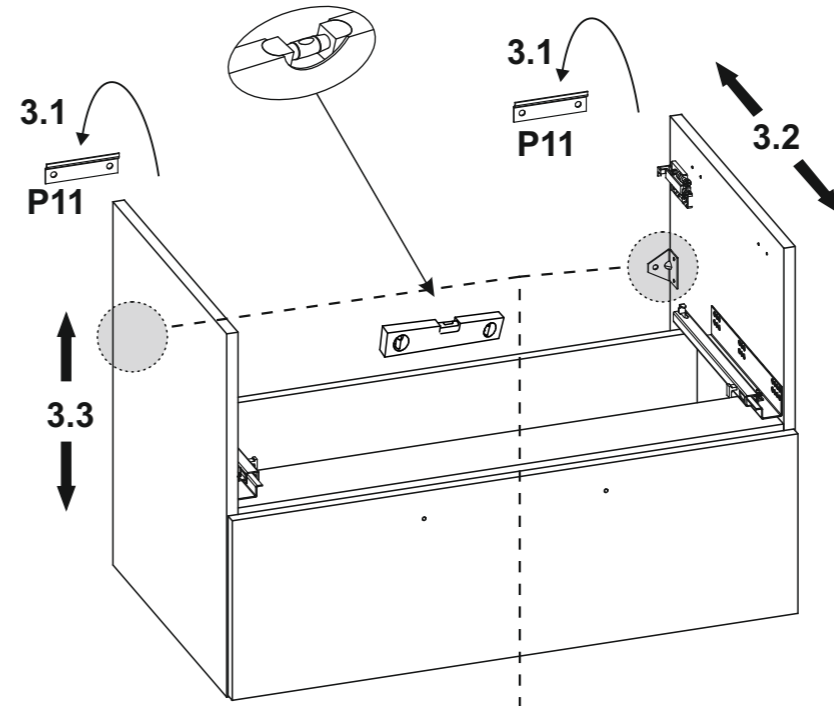
d



2



3



4

