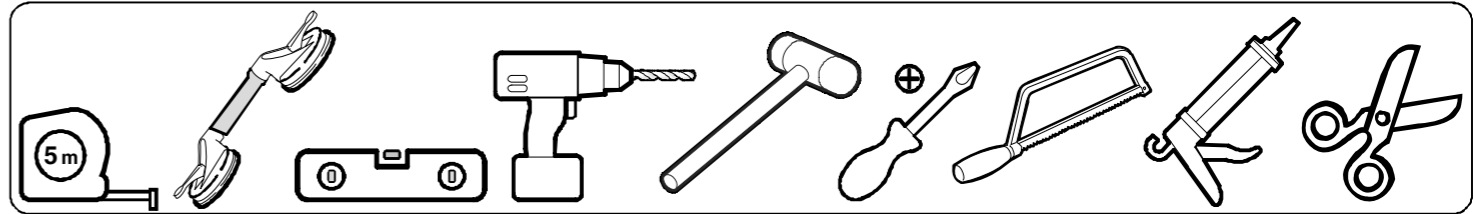
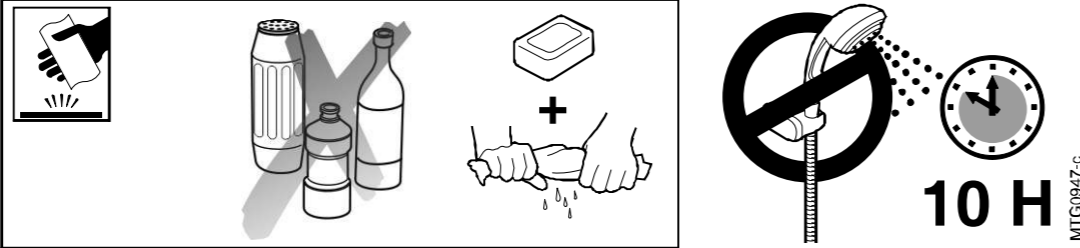
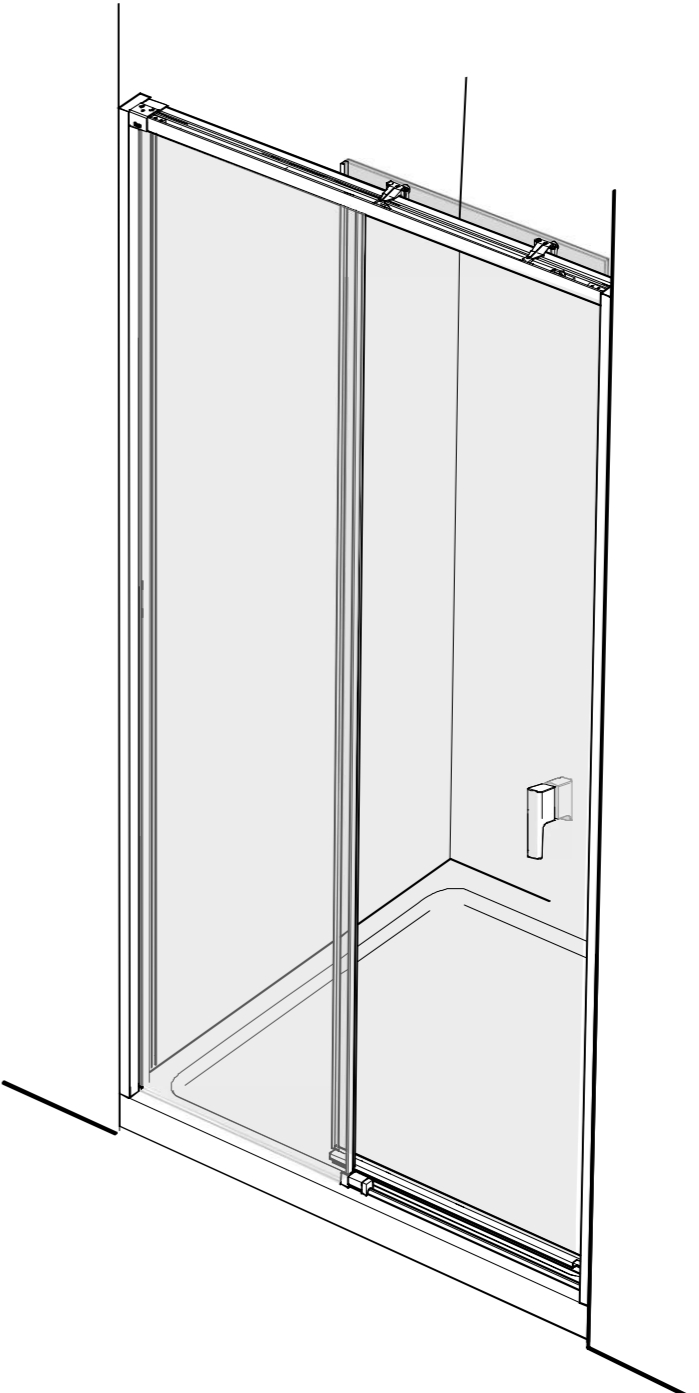
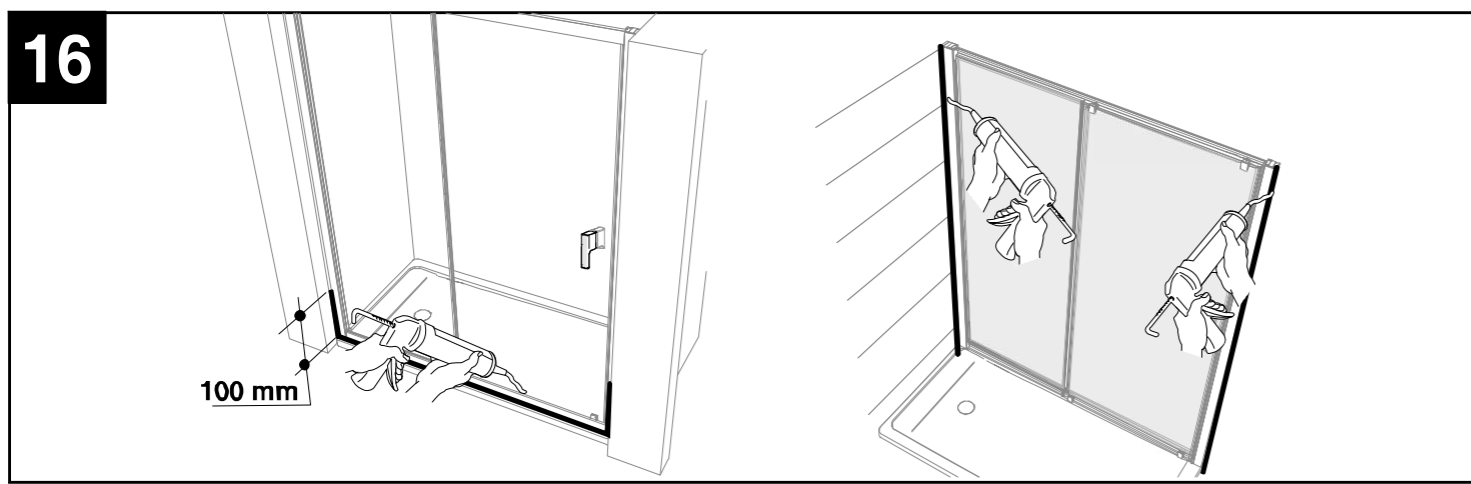
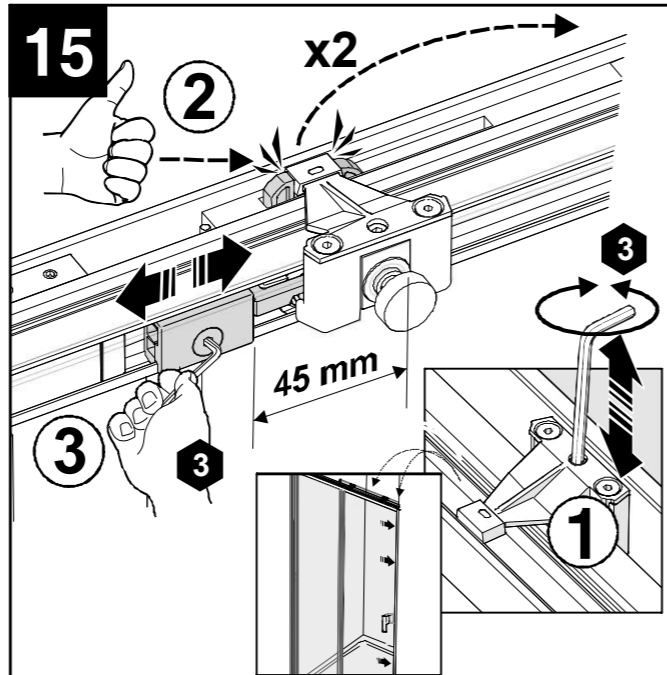
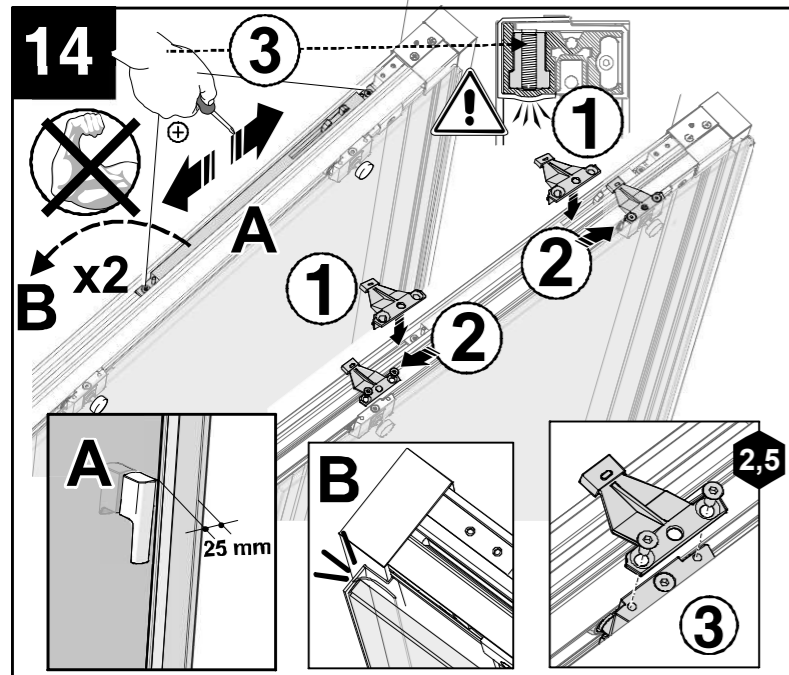
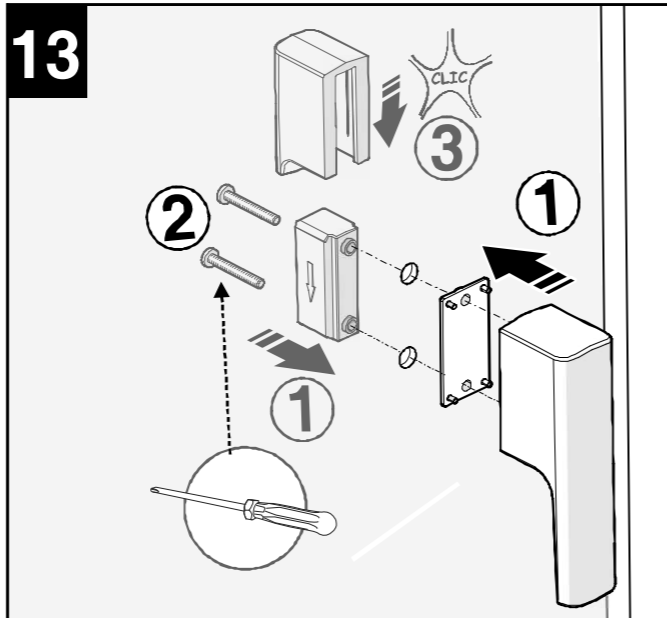
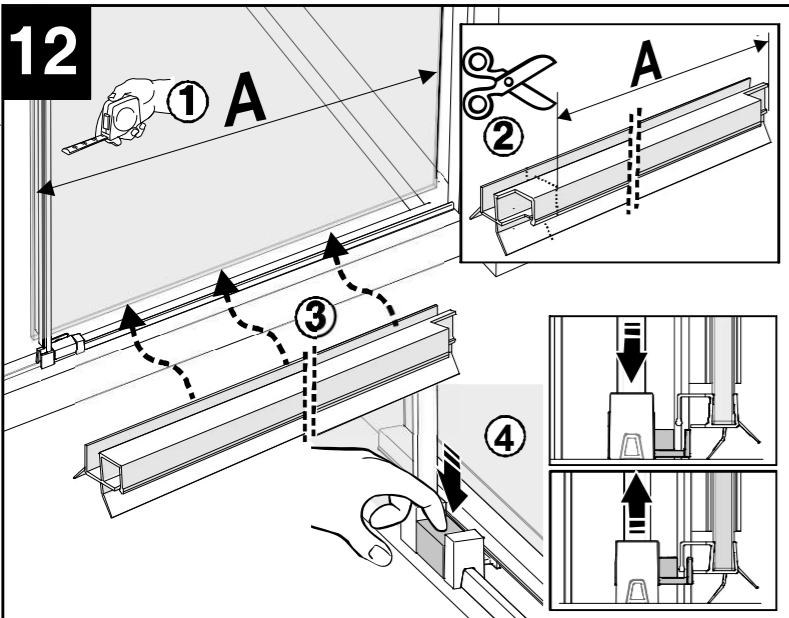




METROPOLIS L2-E



1

	A (mm)
1000	960-1010
1200	1160-1210
1400	1360-1410

Ø4 x35 x2

2,5 x2

d=25mm

d=0mm

min. d

A

2

H

F

L

3

H

L

F

4

L

R

H

F

5

H

L

R

MAX

6

H

L

R

2,5 x2

x > 20

6 x2

7

H

L

R

8

H

L

R

A-42 mm

23 mm

9

H

L

R

A+5

10

H

L

R

11

H

L

R

90°

α