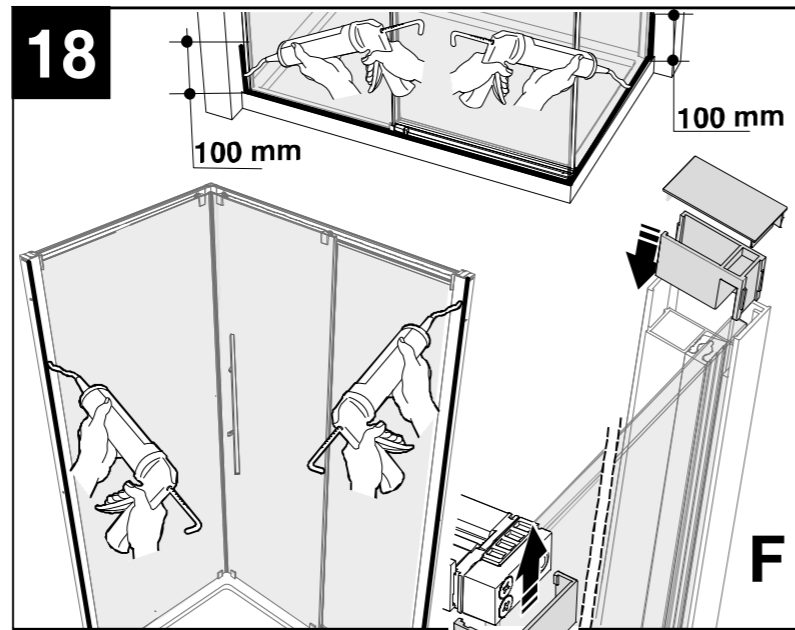
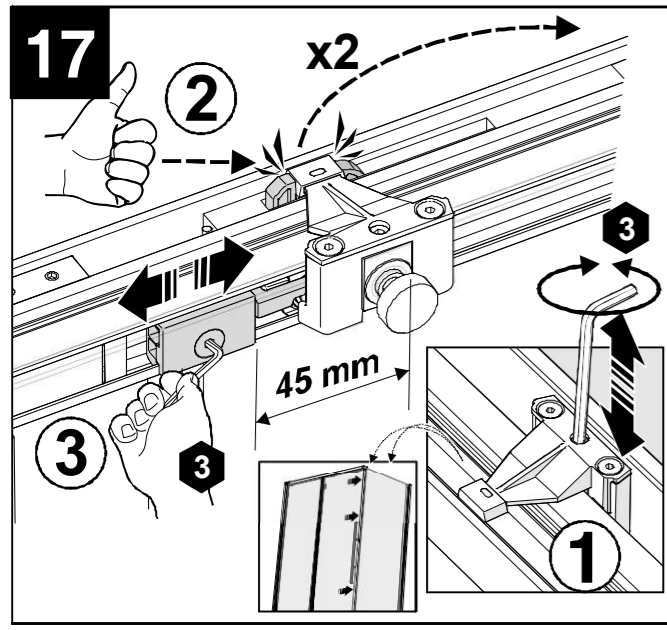
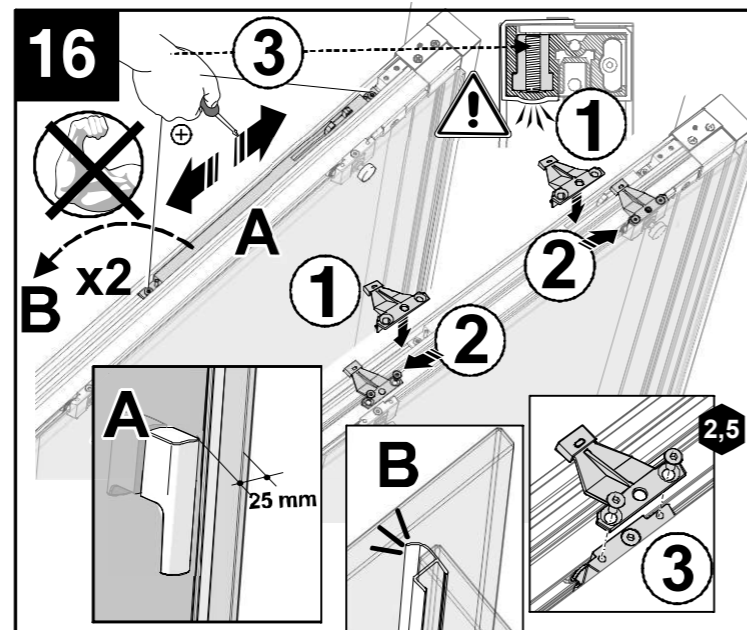
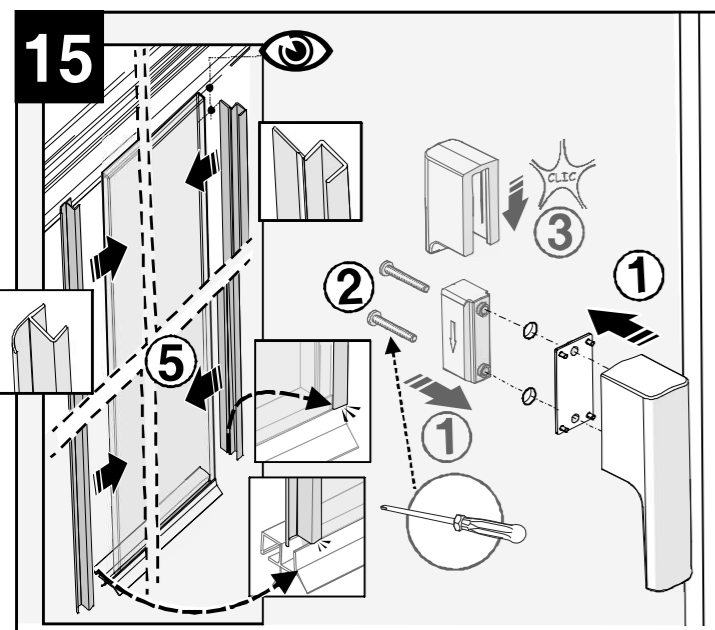
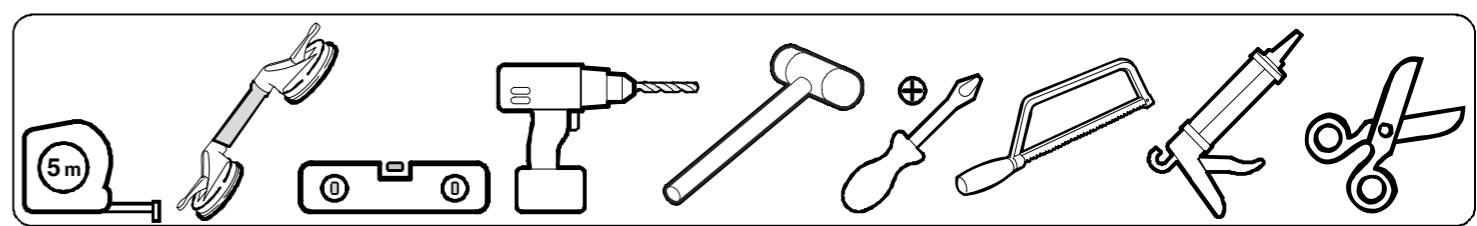
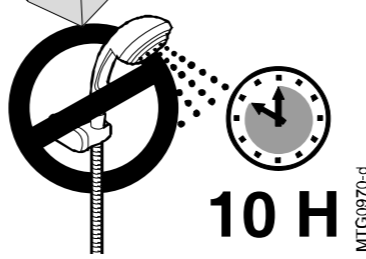
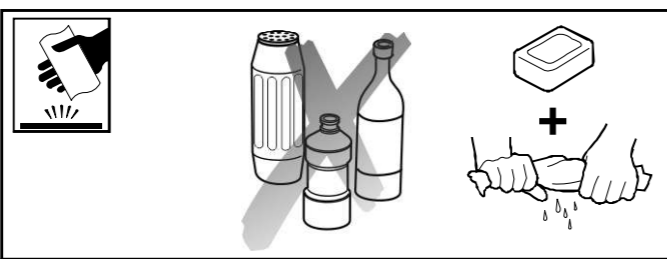


Roca

METROPOLIS L2-E + LF + SL



Roca
ROCA POLSKA sp. z o.o
www.roca.pl



1

x2
Ø4 x35

d=0mm
d=25mm
d=7mm

L2-E	A (mm)	LF+SL	B (mm)
1000	970-1020	700	685-705
1200	1170-1220	800	785-805
1400	1370-1420	900	885-905

6

2,5
1
3
4
5
6

695-705
685-695
max 10 mm

R

7

1
2
2,5
3
4
5
6
7

H
x>20
max 10 mm
CRACK

2

H
L

3

H
F

8

L
R

9

695-705
10 mm

10

A-42 mm
1
2
3
4
5

4

L
H
R

5

L
H
3

11

2
1
3
A

12

L
R
1
2
3
4

13

3
1
2
4
5
6
7
90°