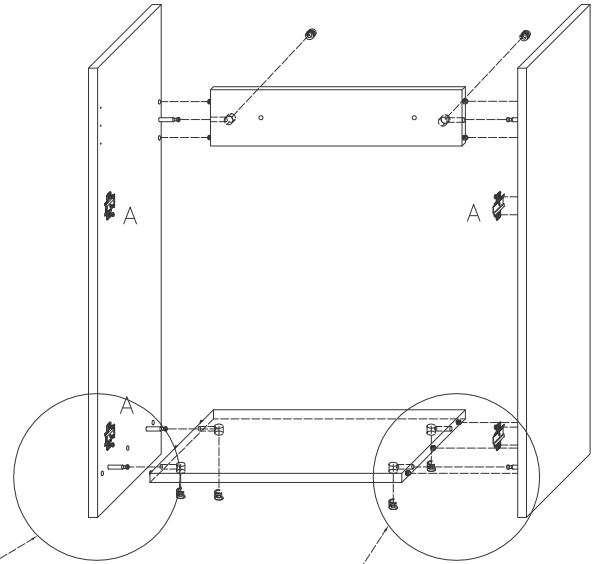
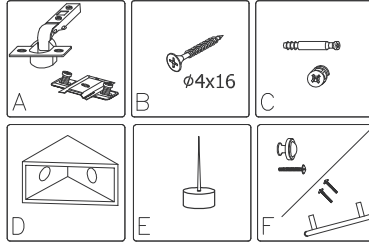
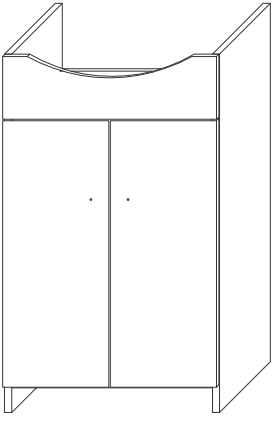




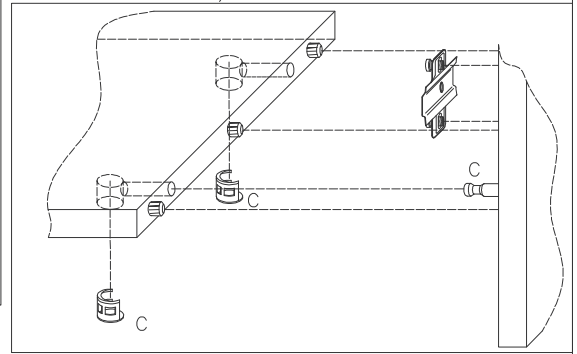
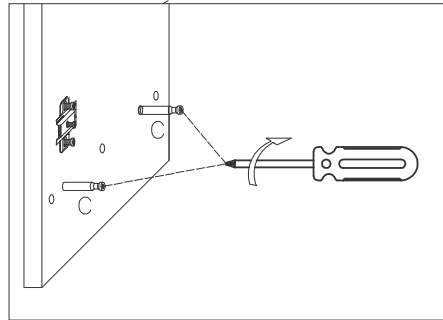
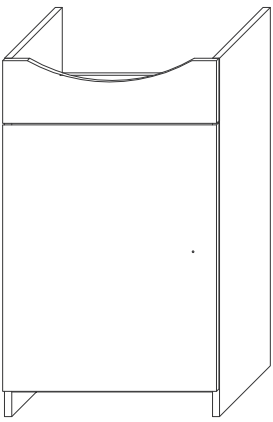
Deftrans

INSTRUKCJA MONTAŻU

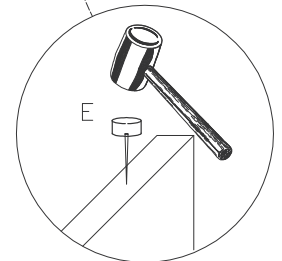
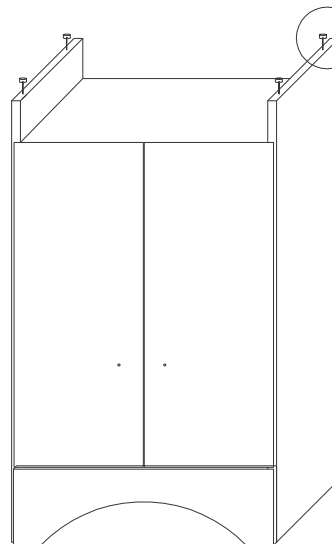
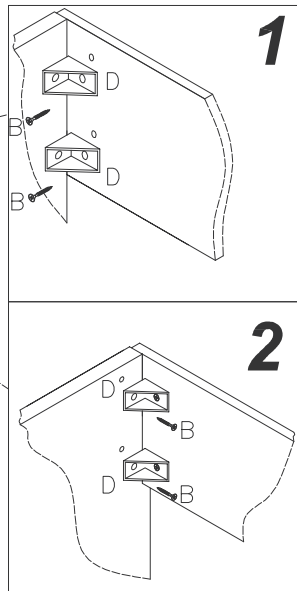
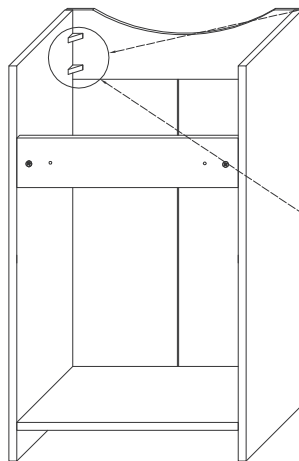
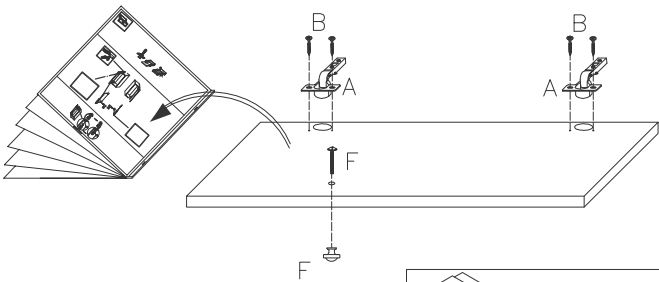
D40;D45;D50;D55;D65;D75;D85



D40;D45;D50



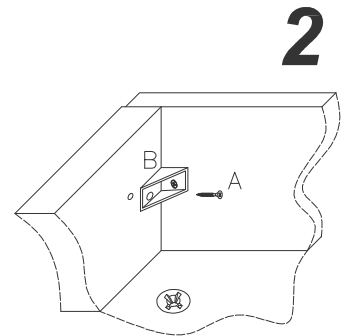
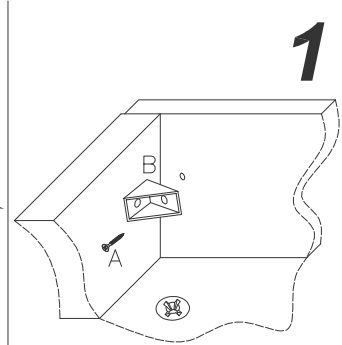
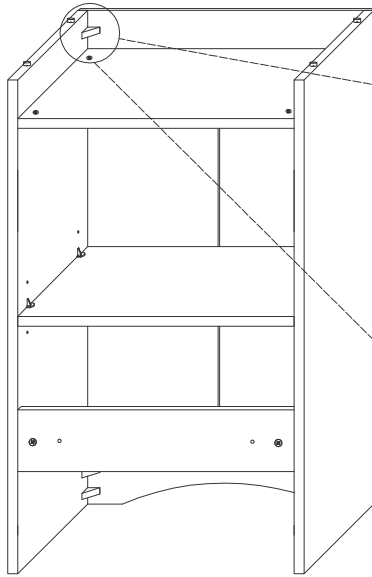
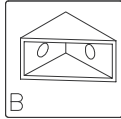
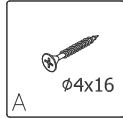
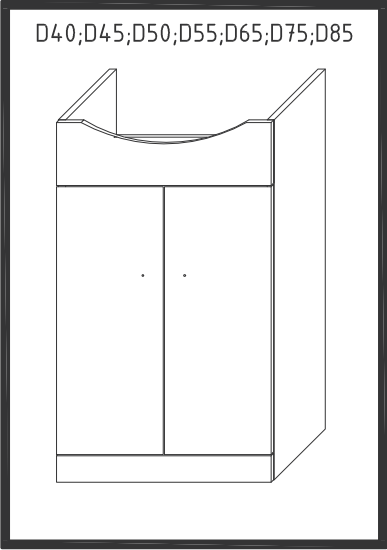
1



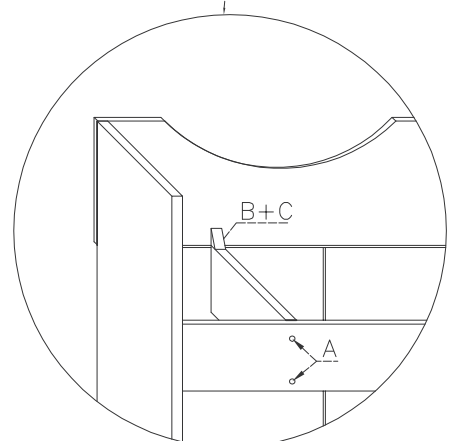
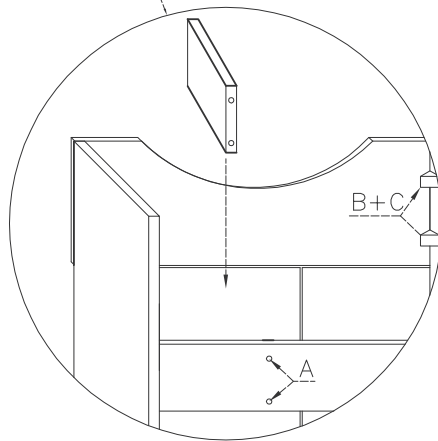
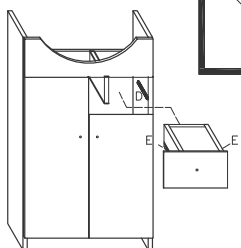
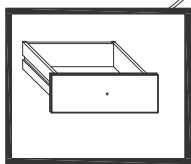
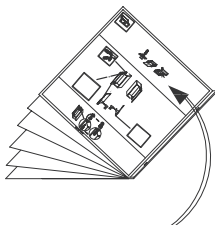
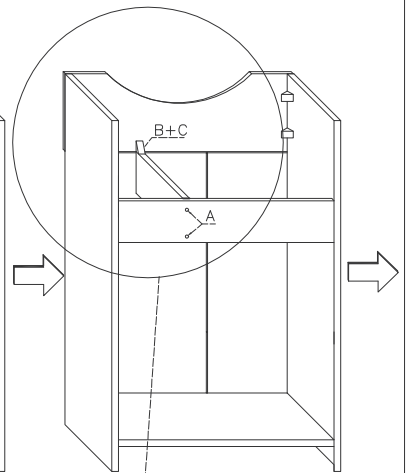
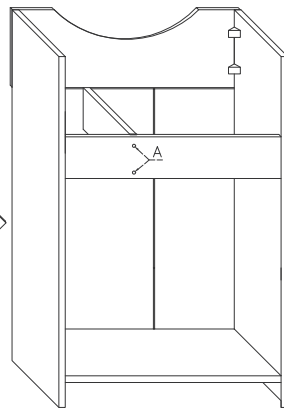
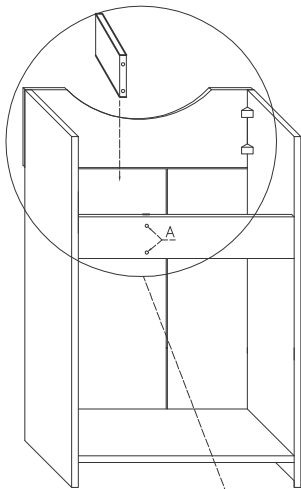
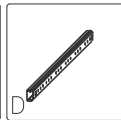
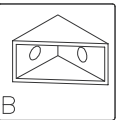
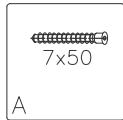
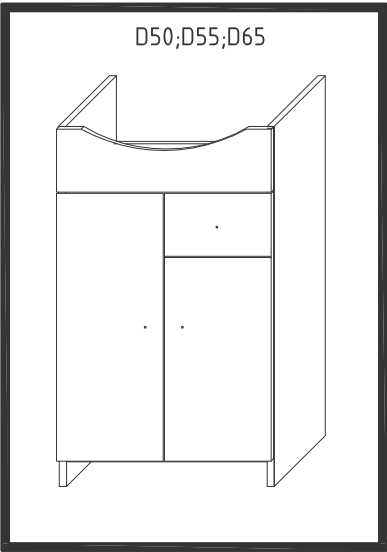
2

3

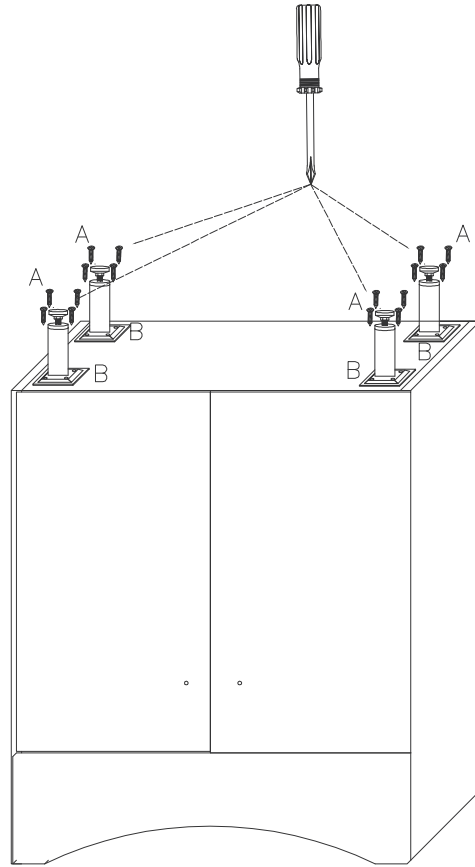
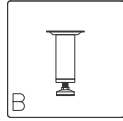
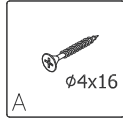
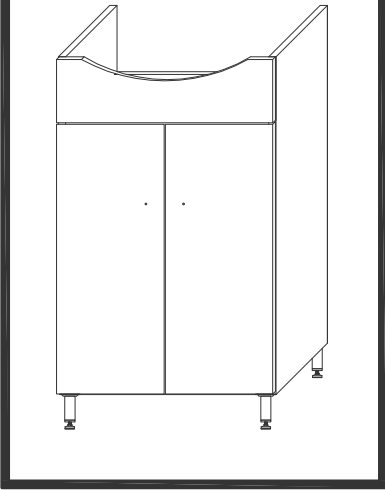
D40;D45;D50;D55;D65;D75;D85



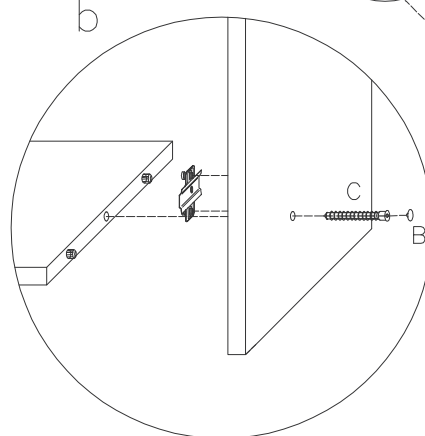
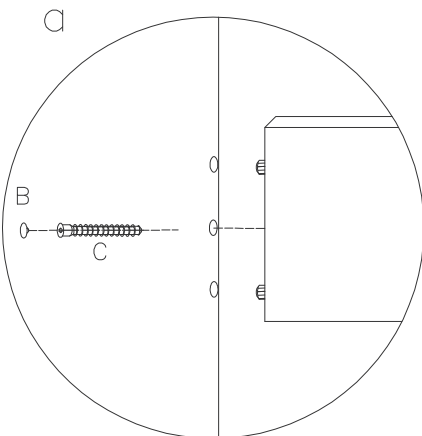
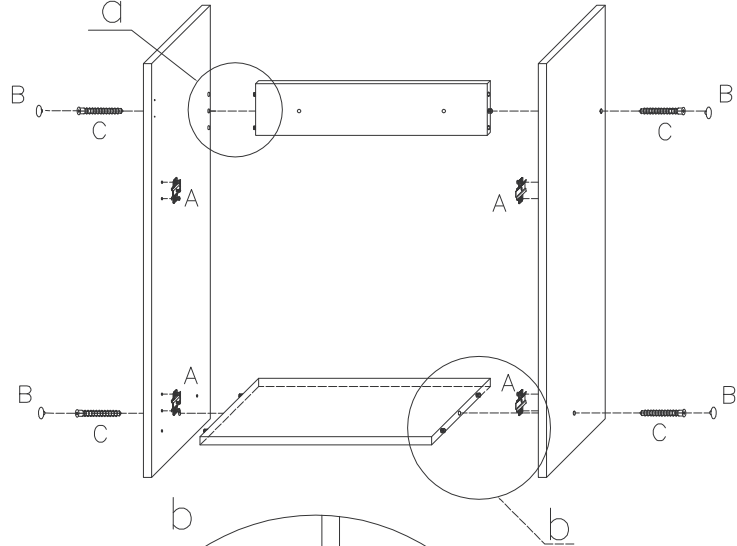
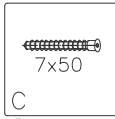
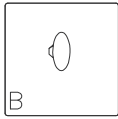
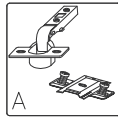
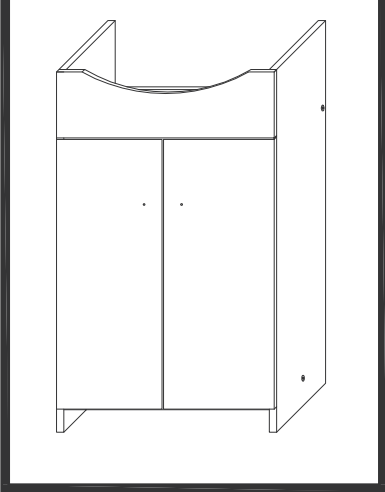
D50;D55;D65

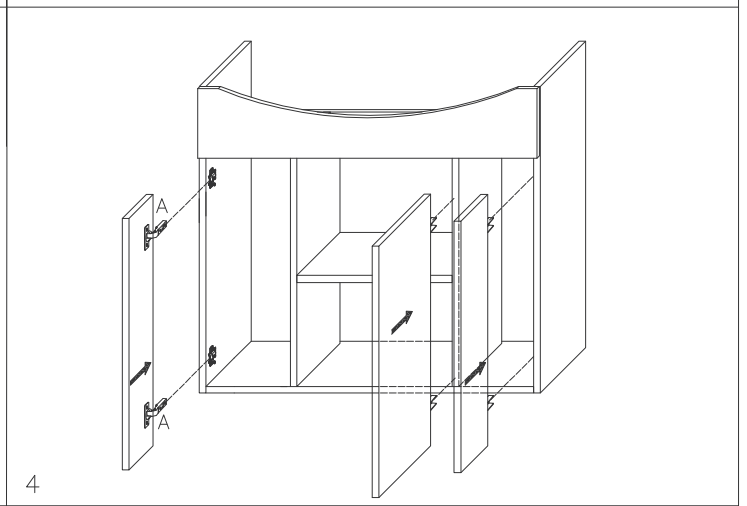
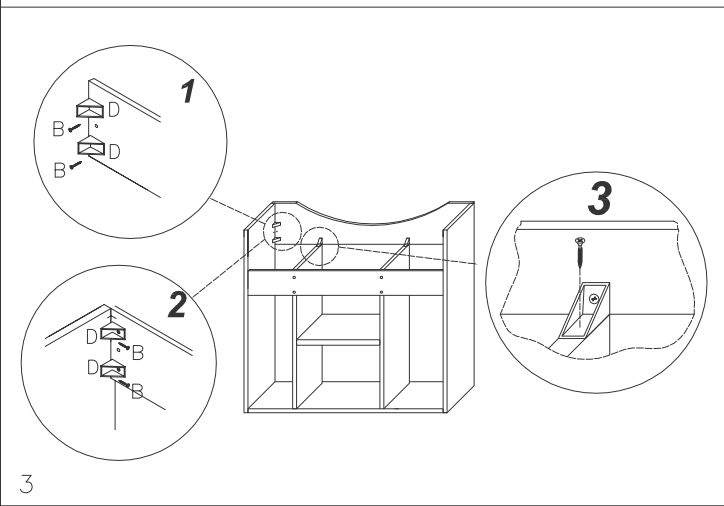
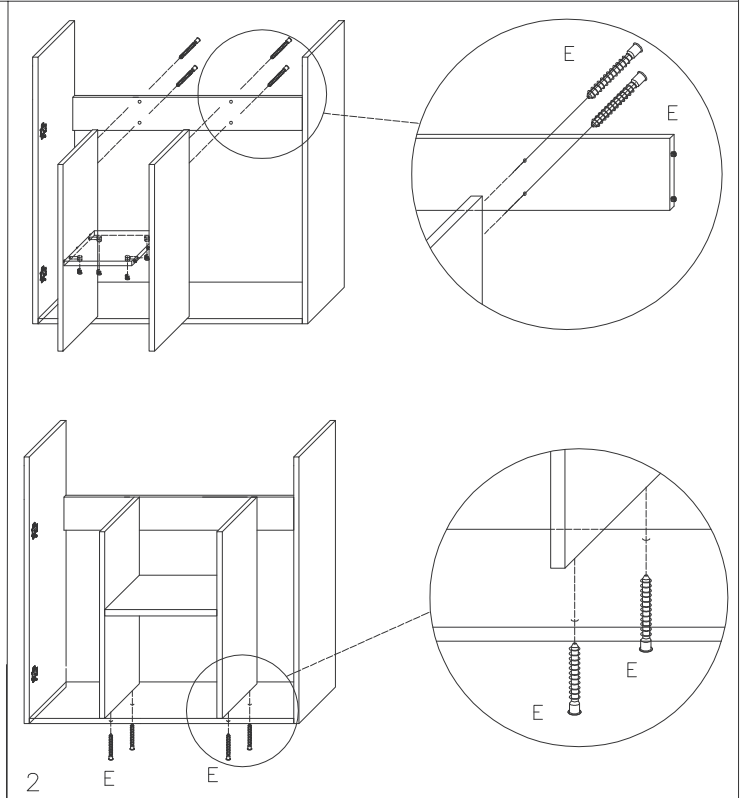
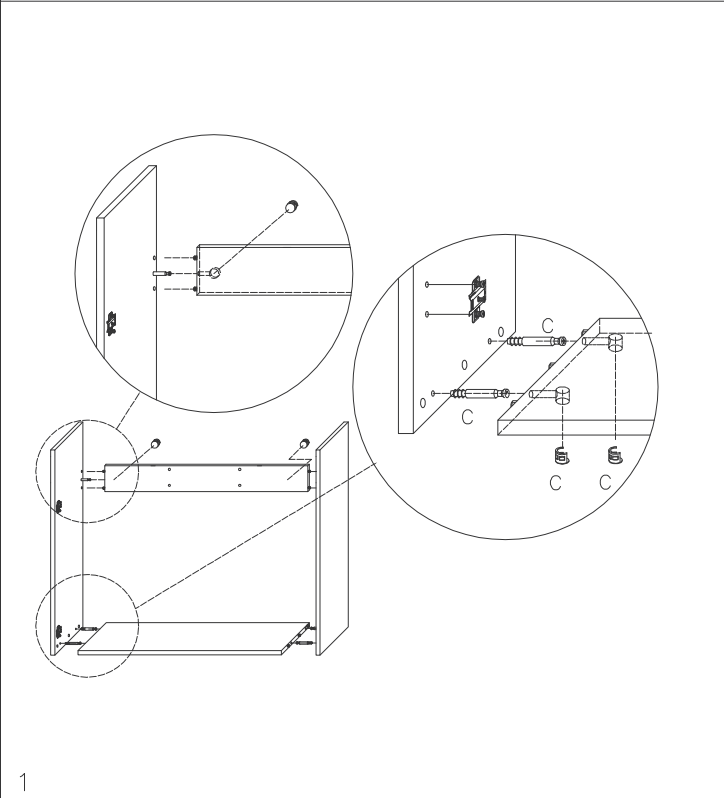
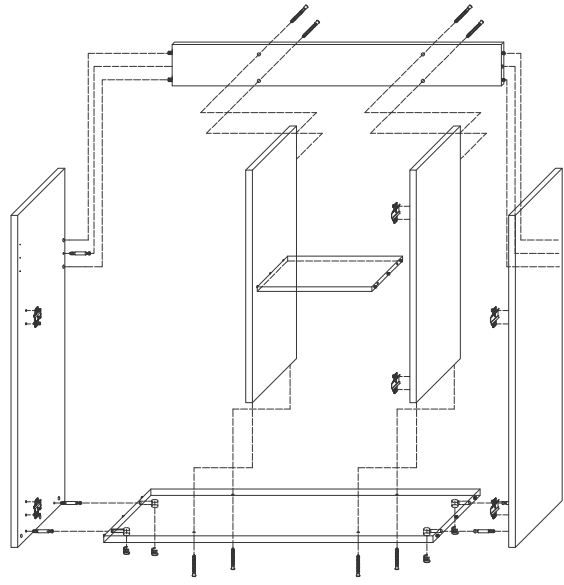
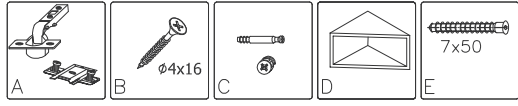
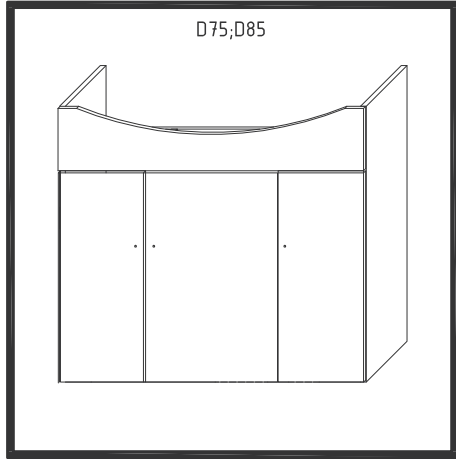


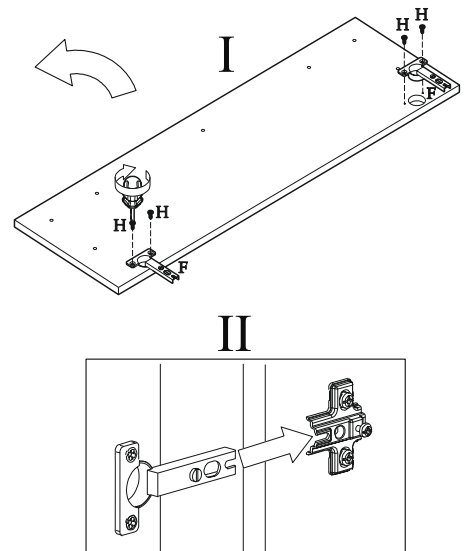
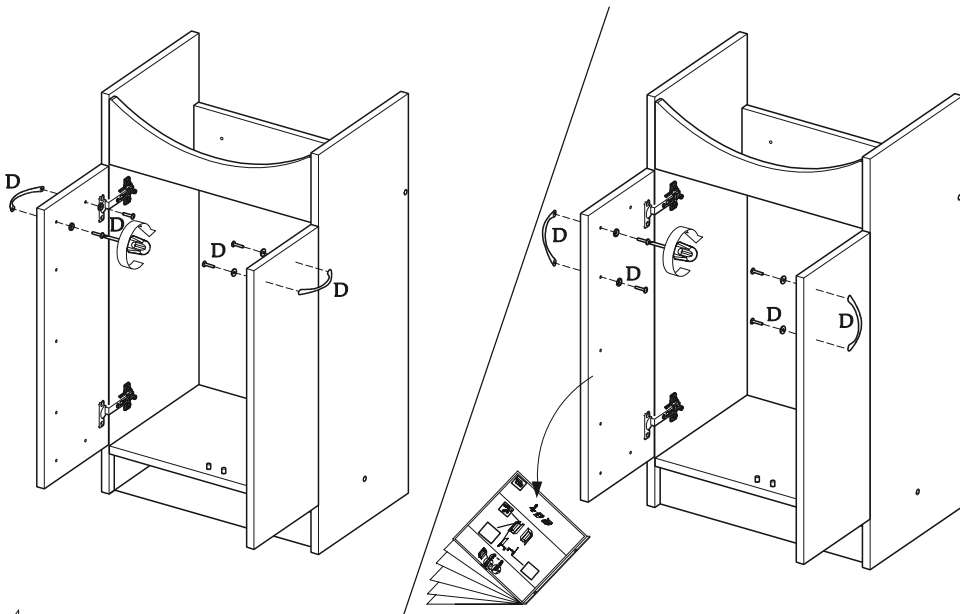
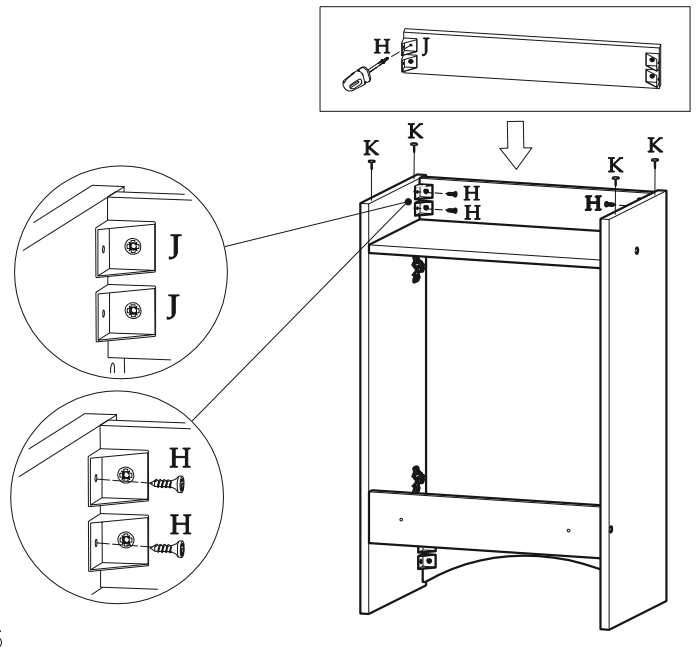
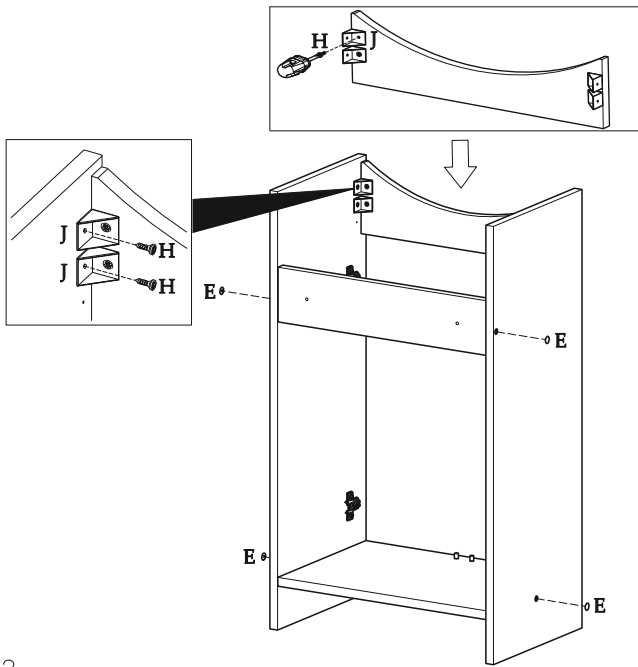
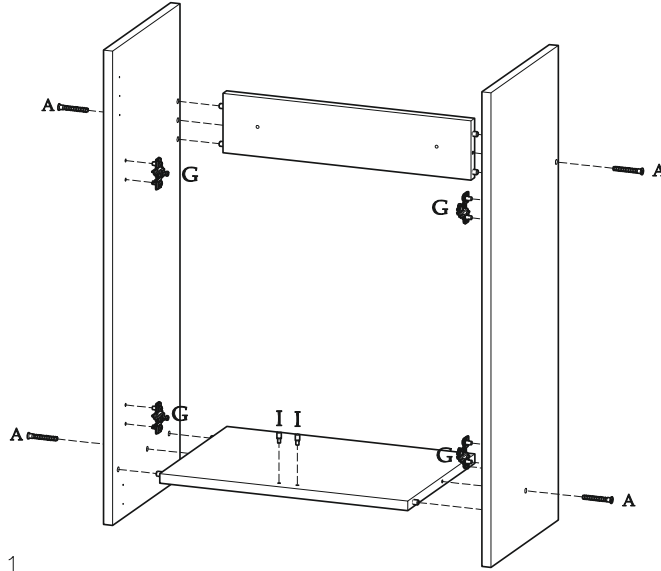
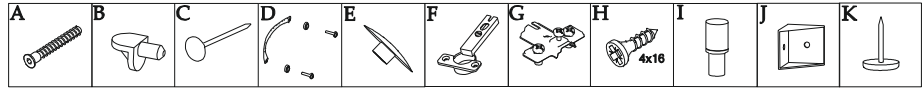
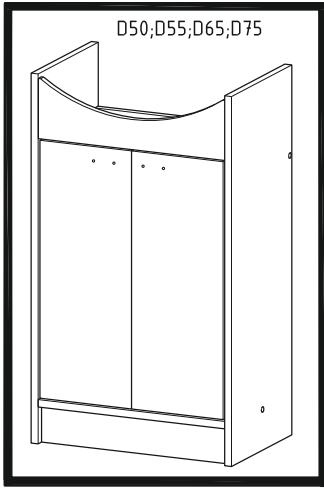
D40;D45;D50;D55;D65;D75;D85

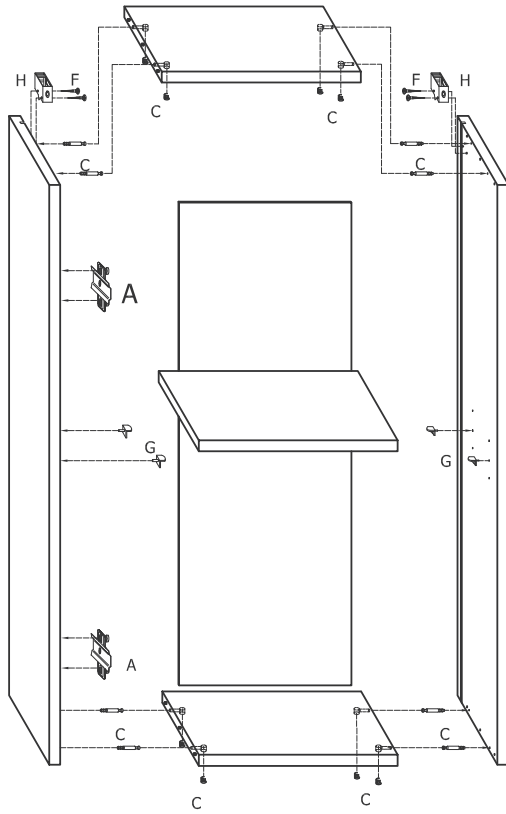
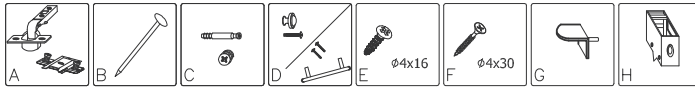
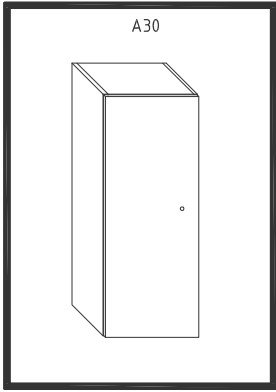


D40;D45;D50;D55;D65

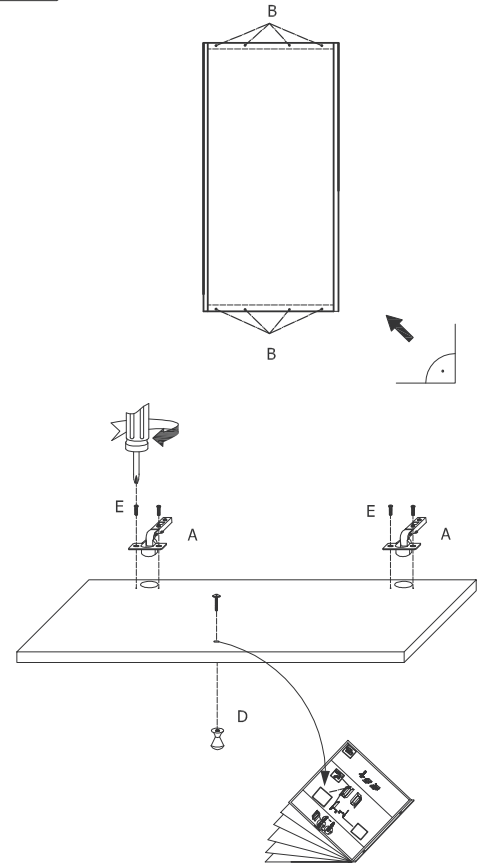




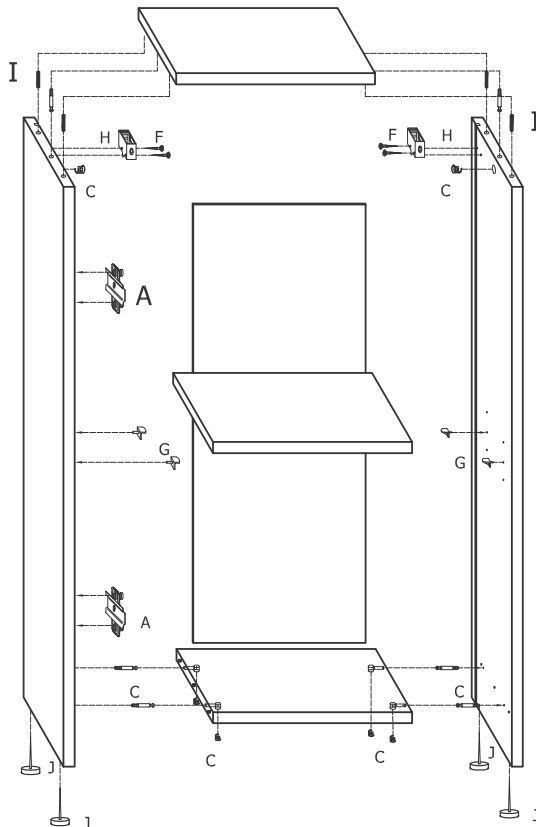
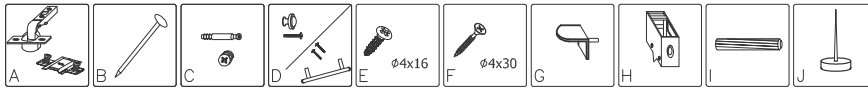
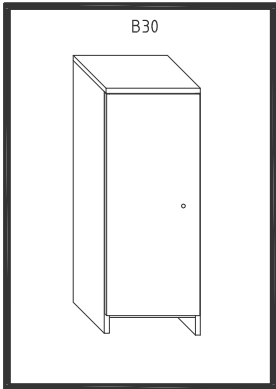




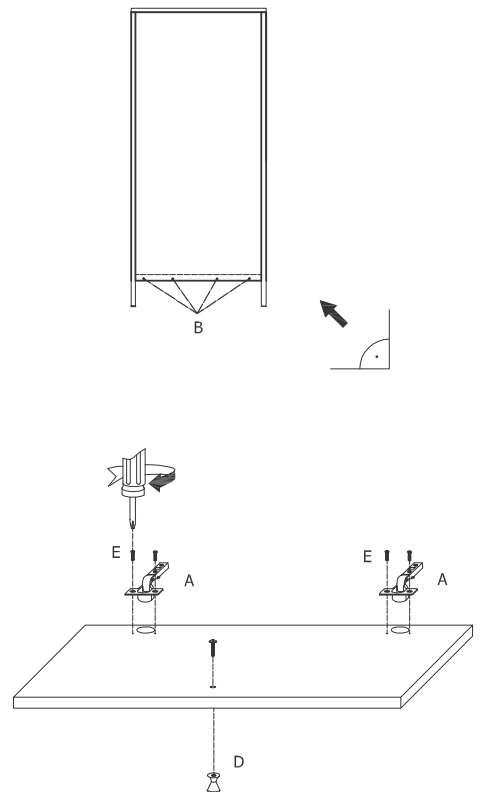
1



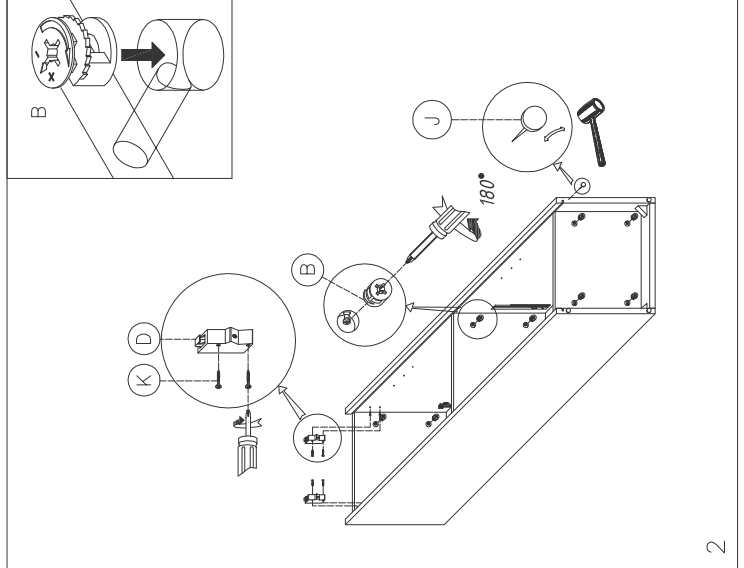
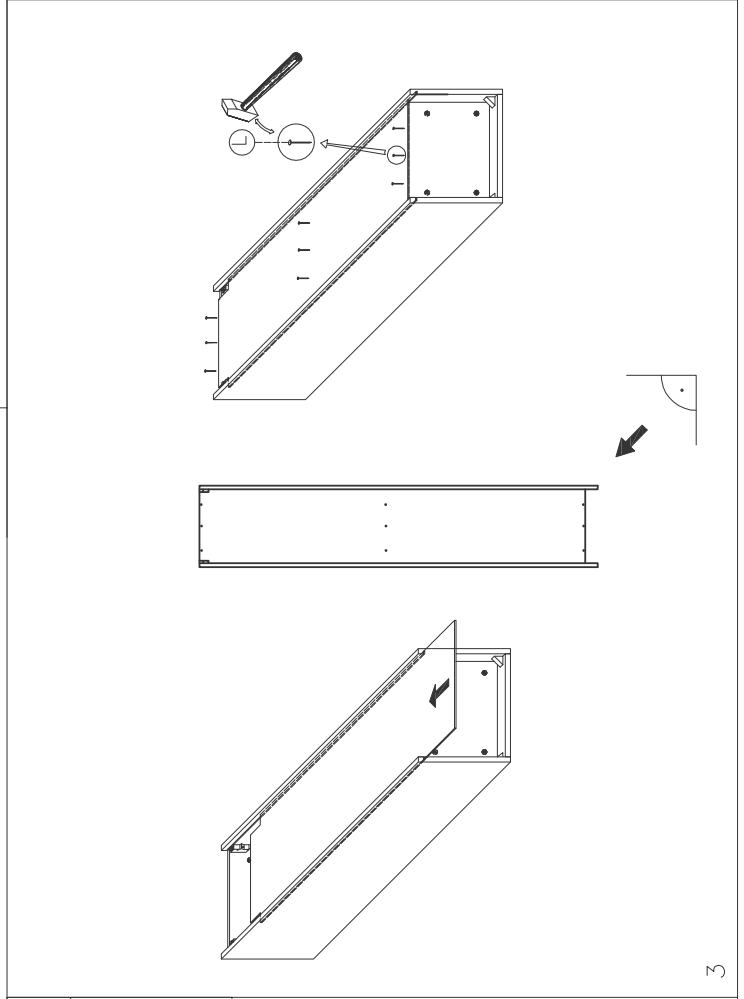
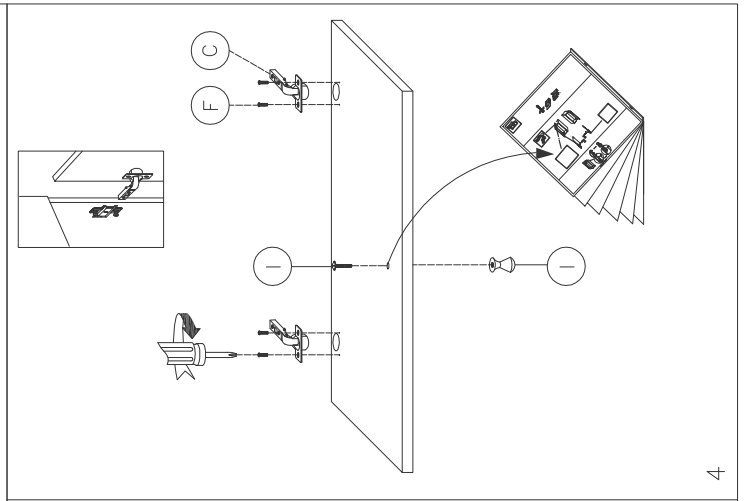
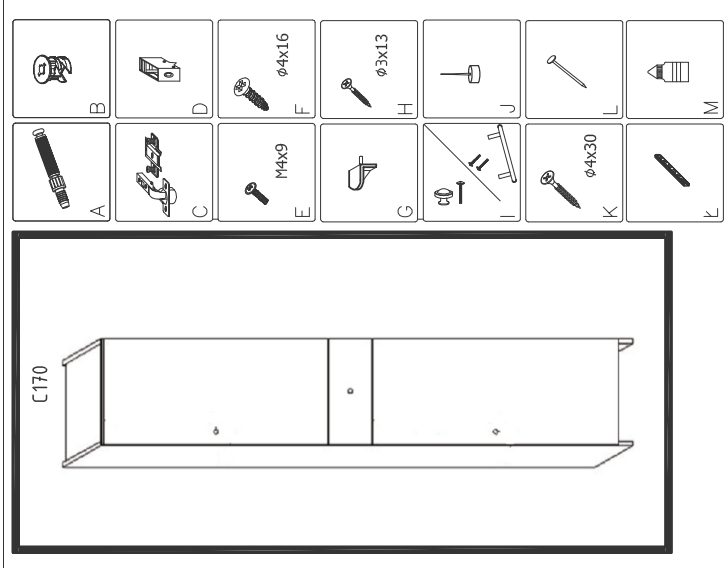
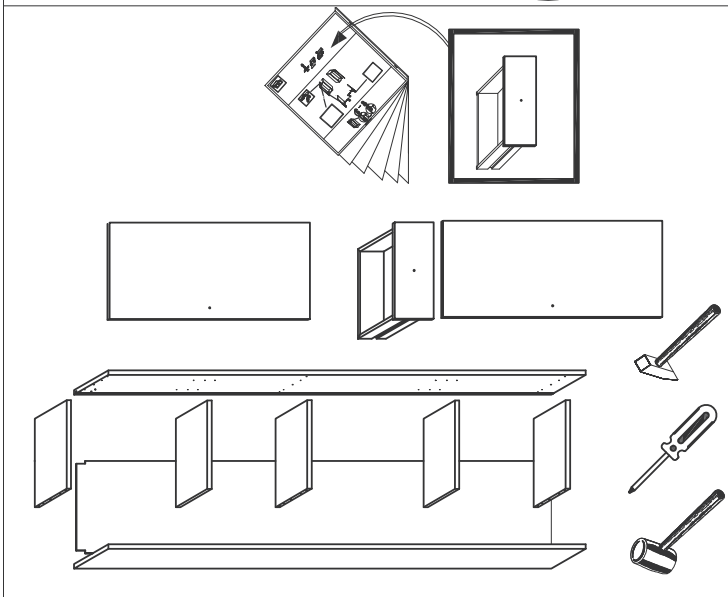
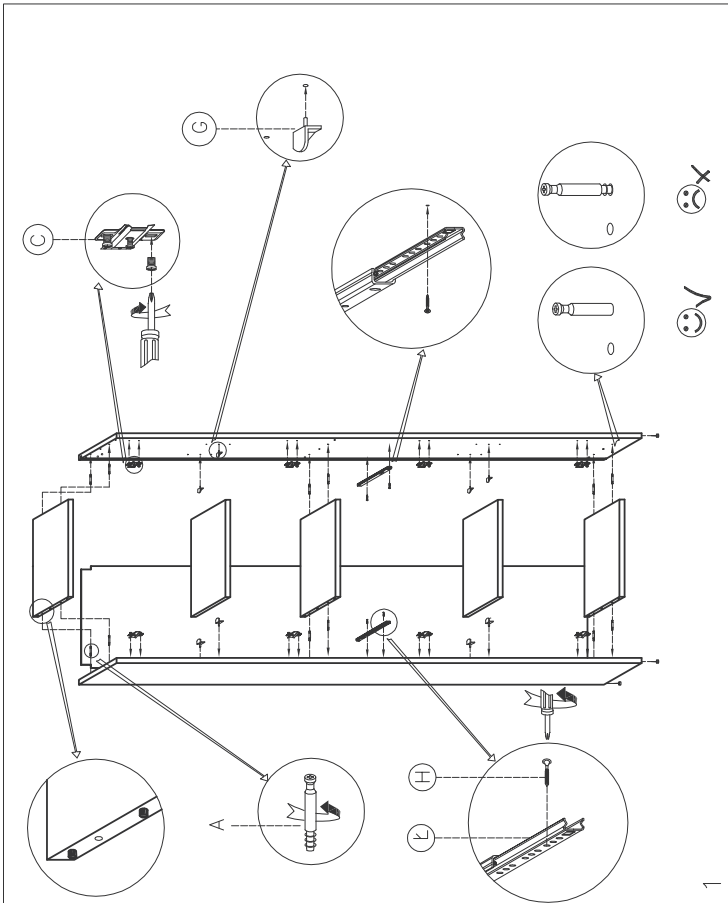
2

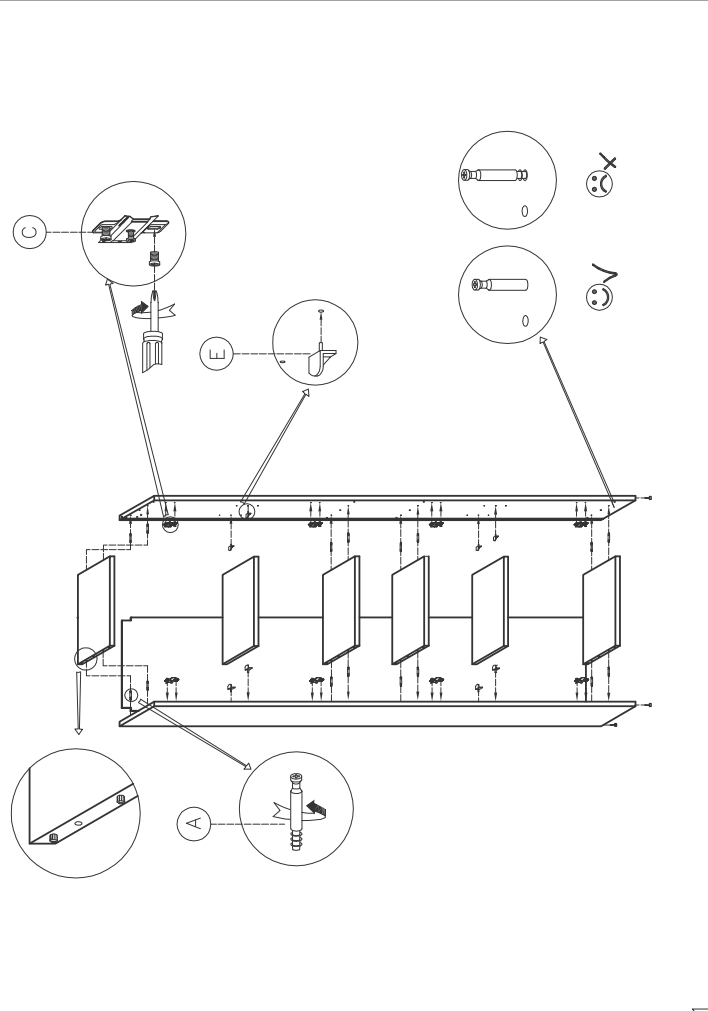


1

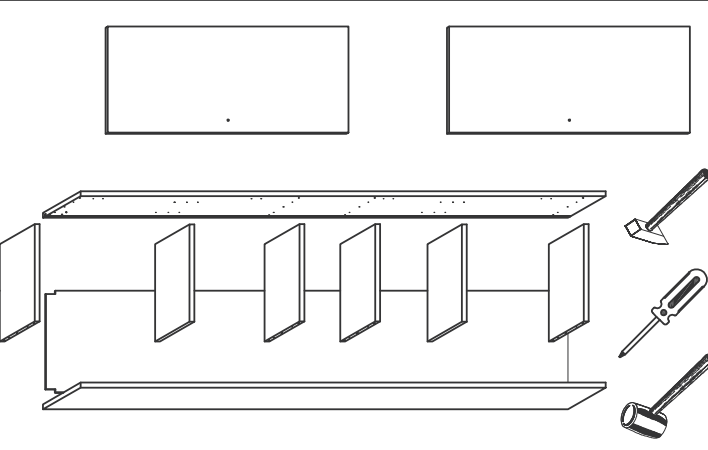



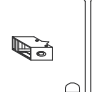

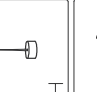
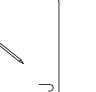

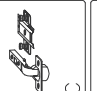



2

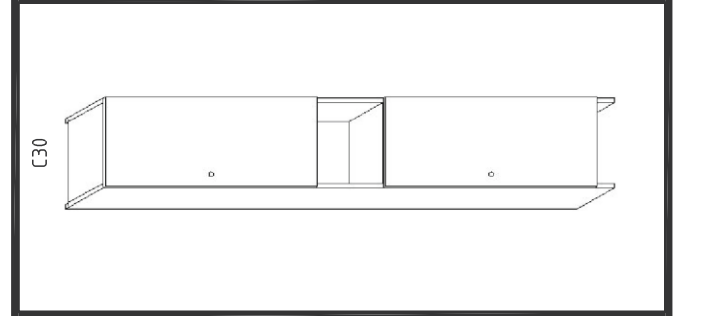




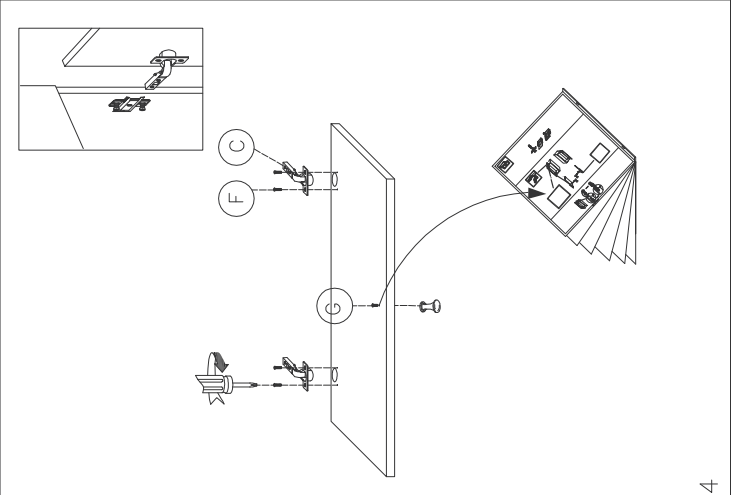
1



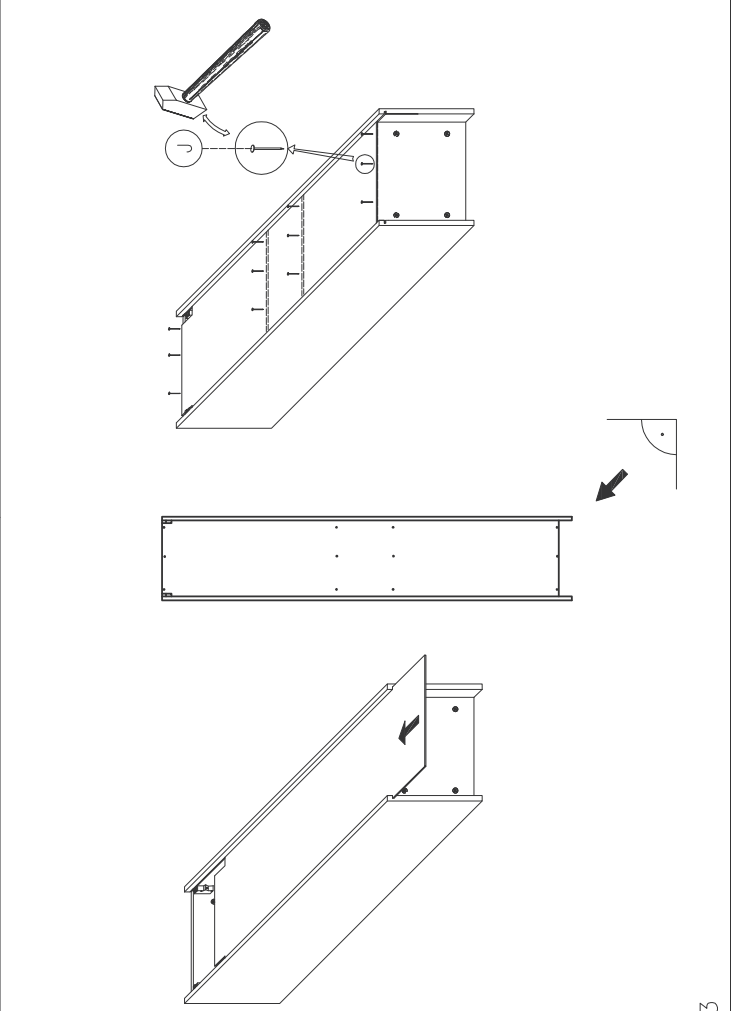
				
				



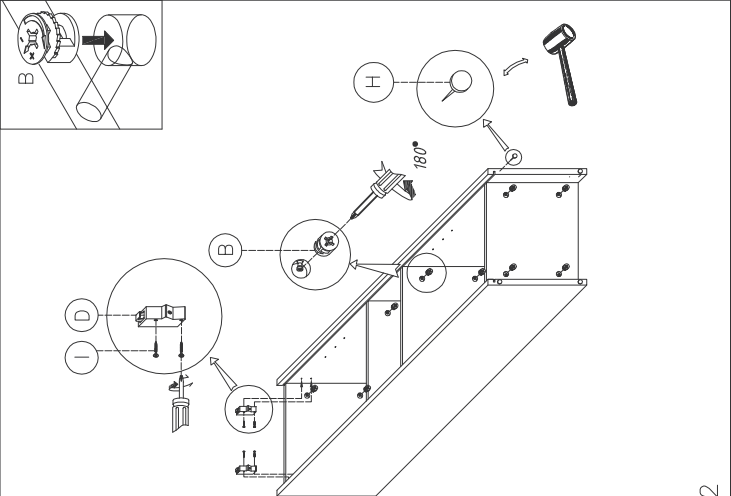
C30



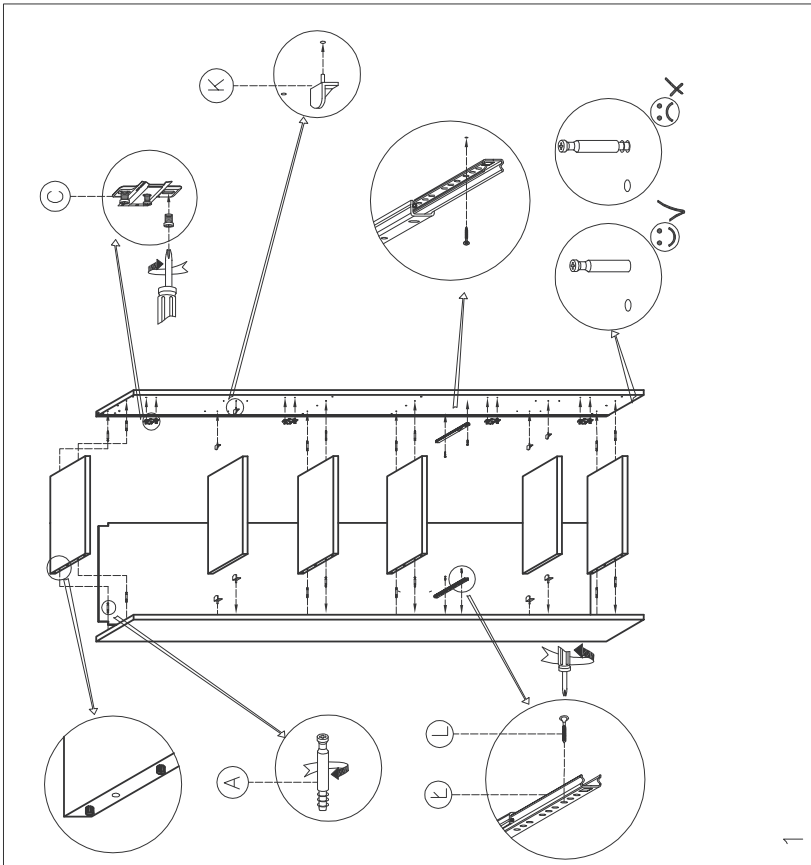
4



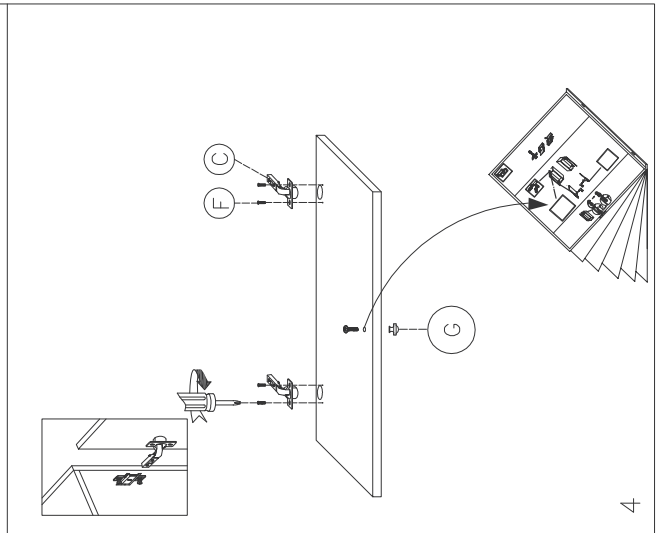
3



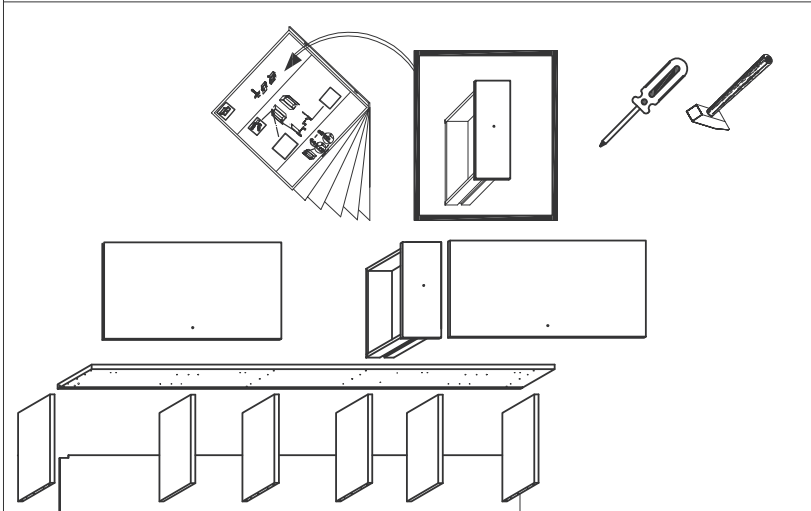
2



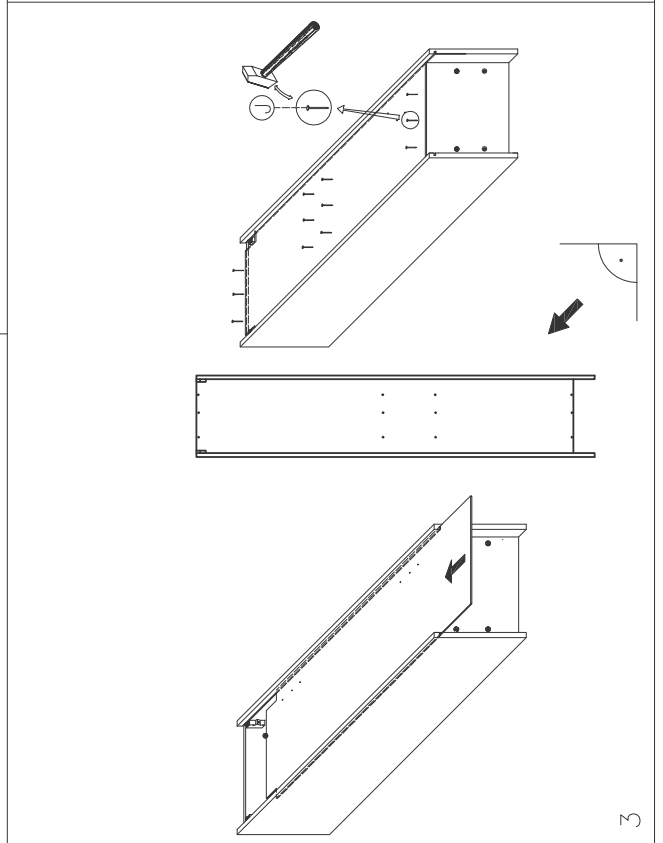
1



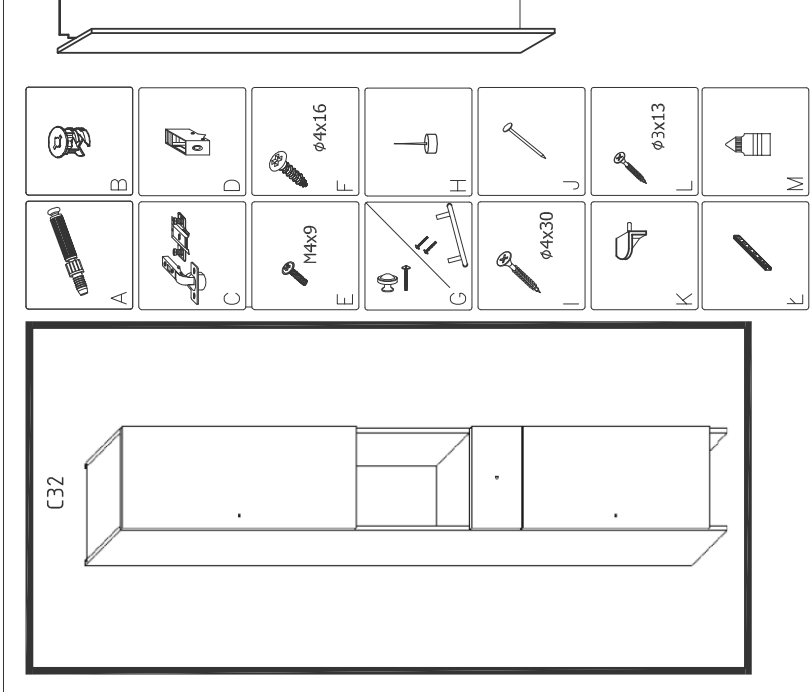
4



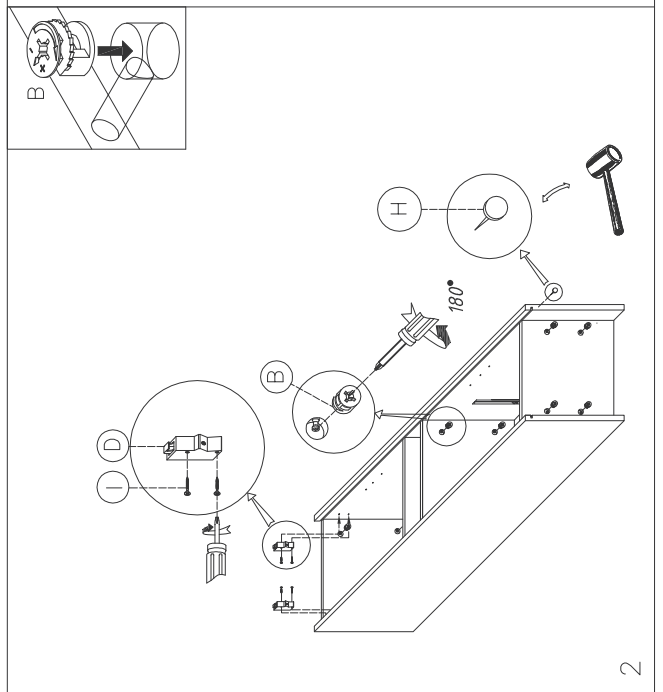
3



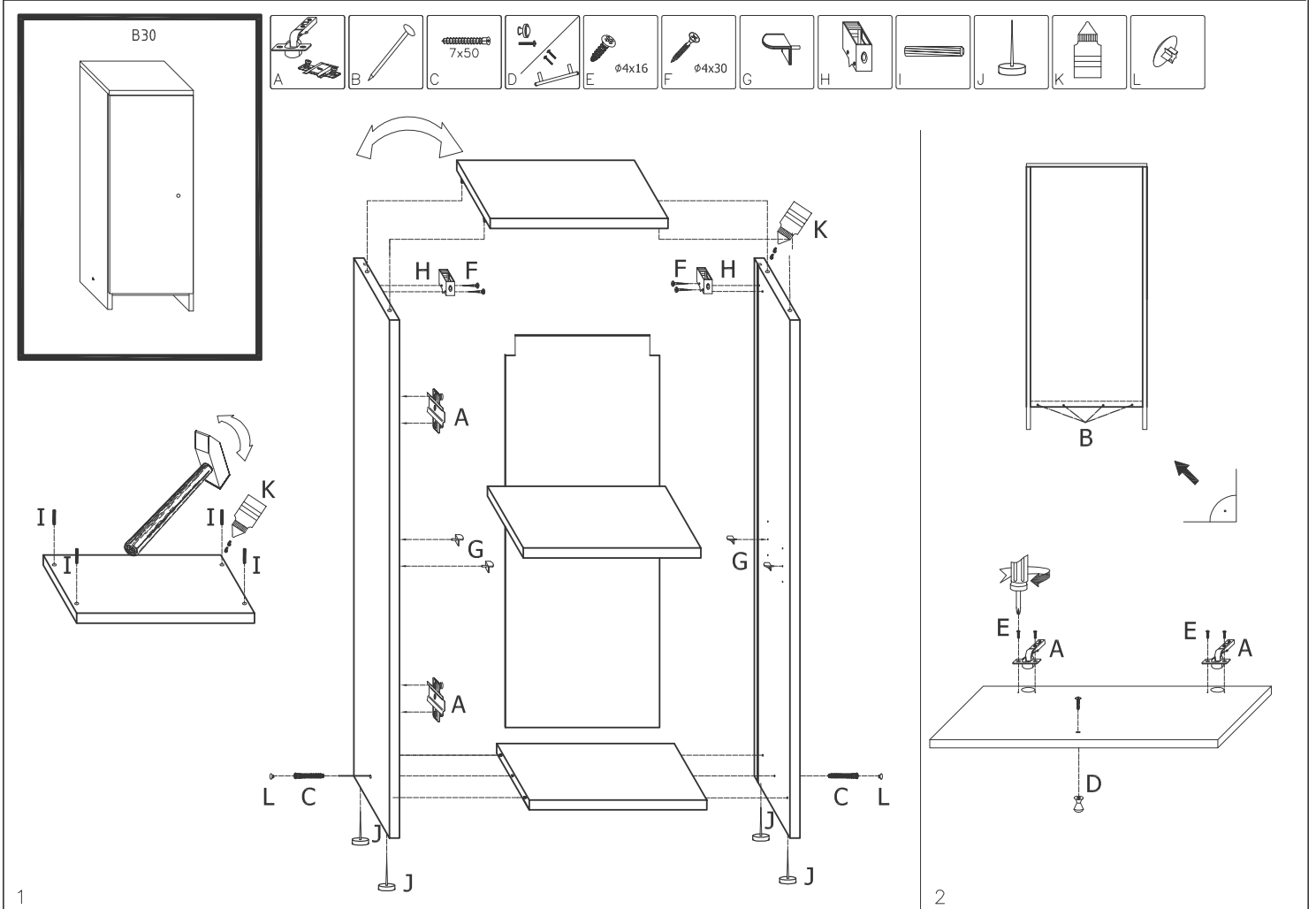
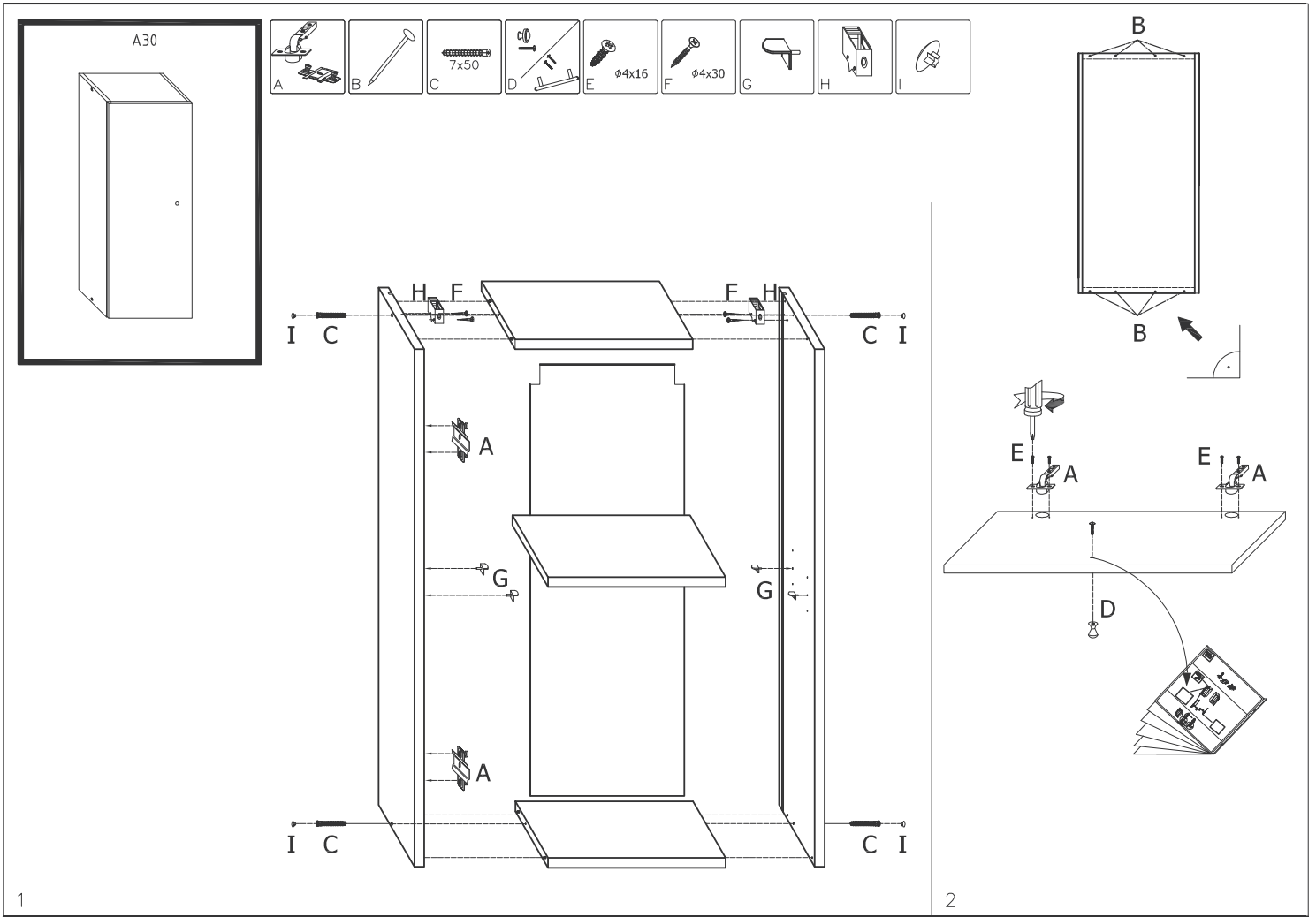
2

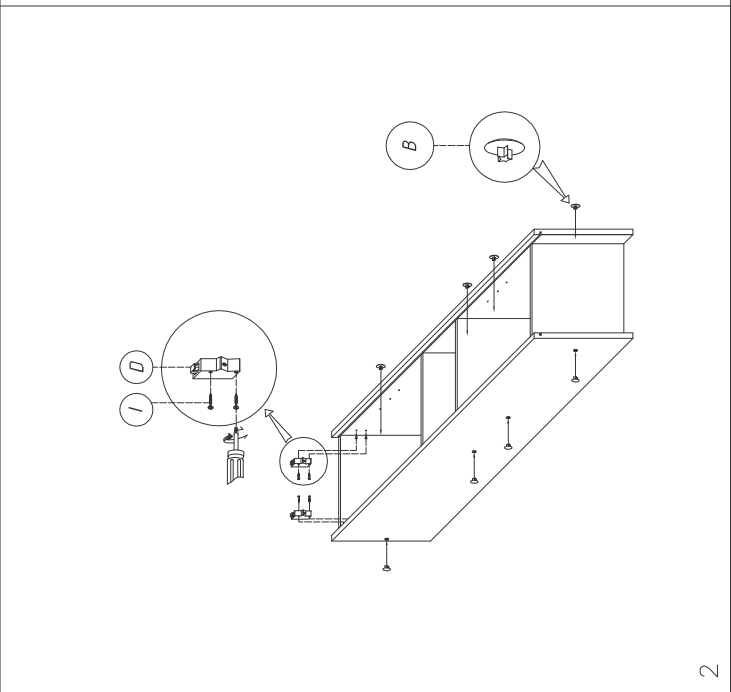
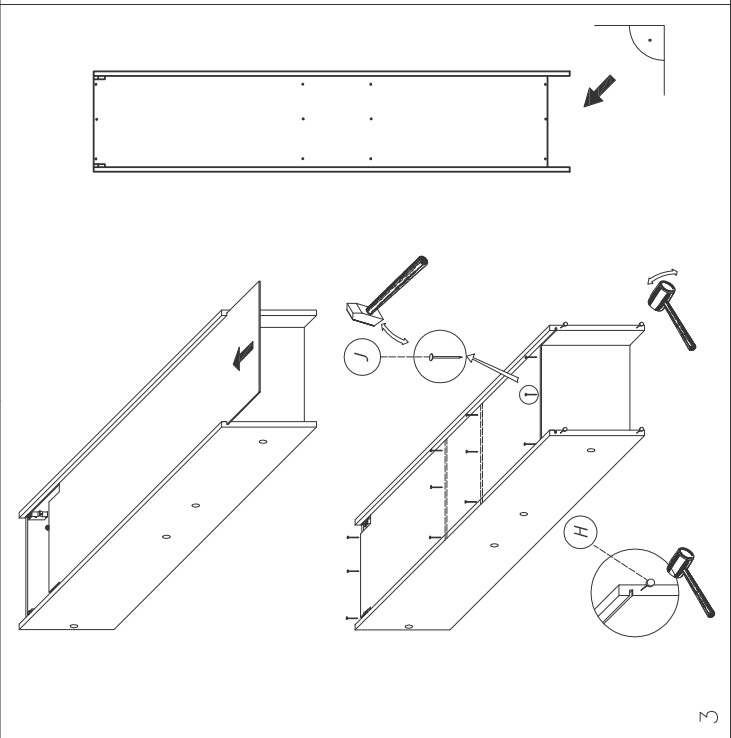
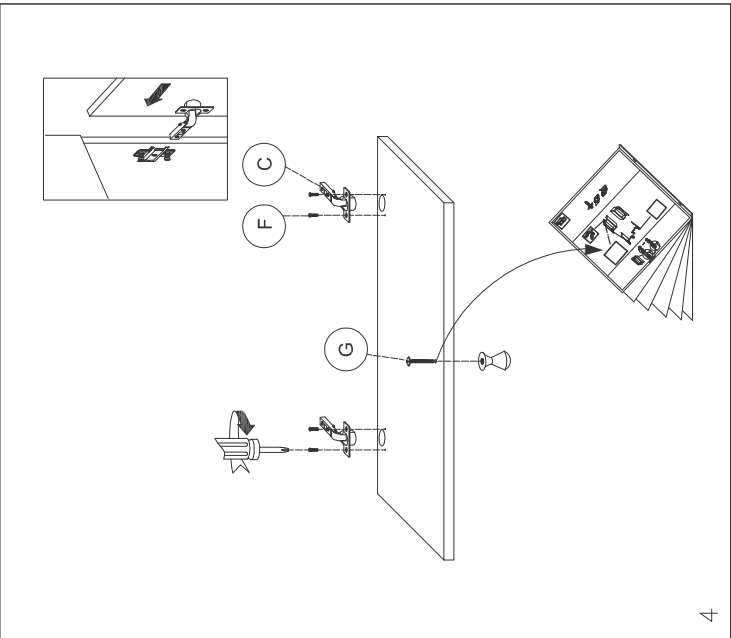
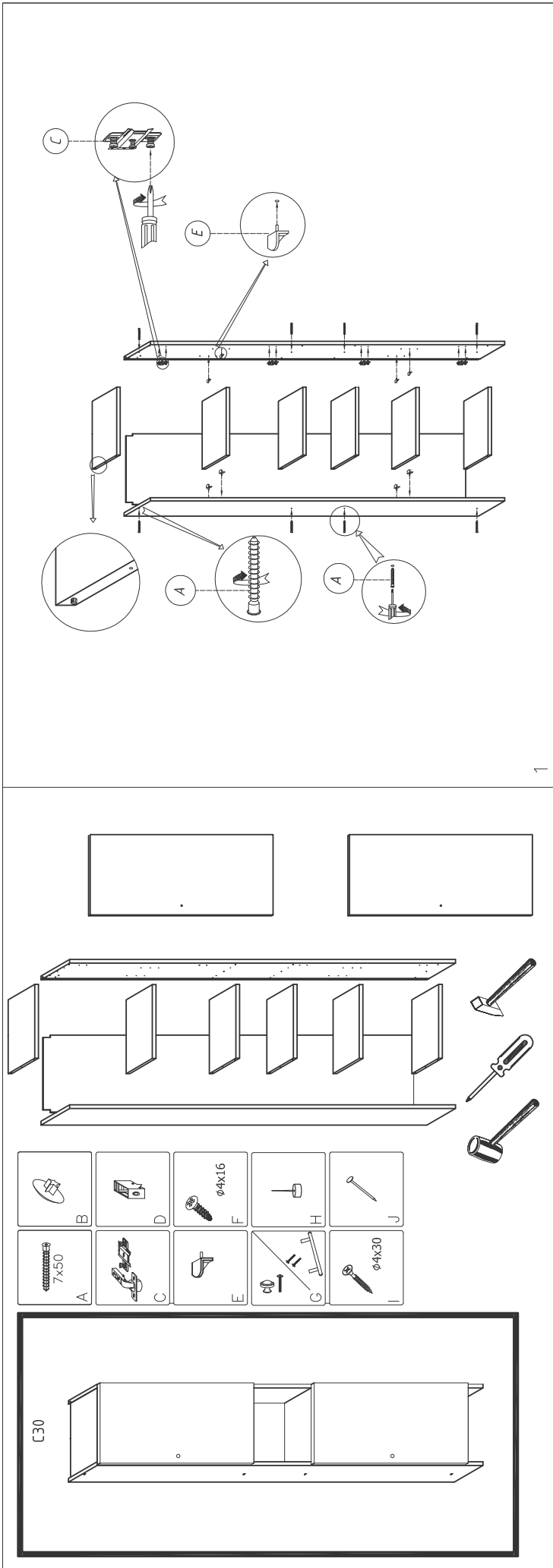


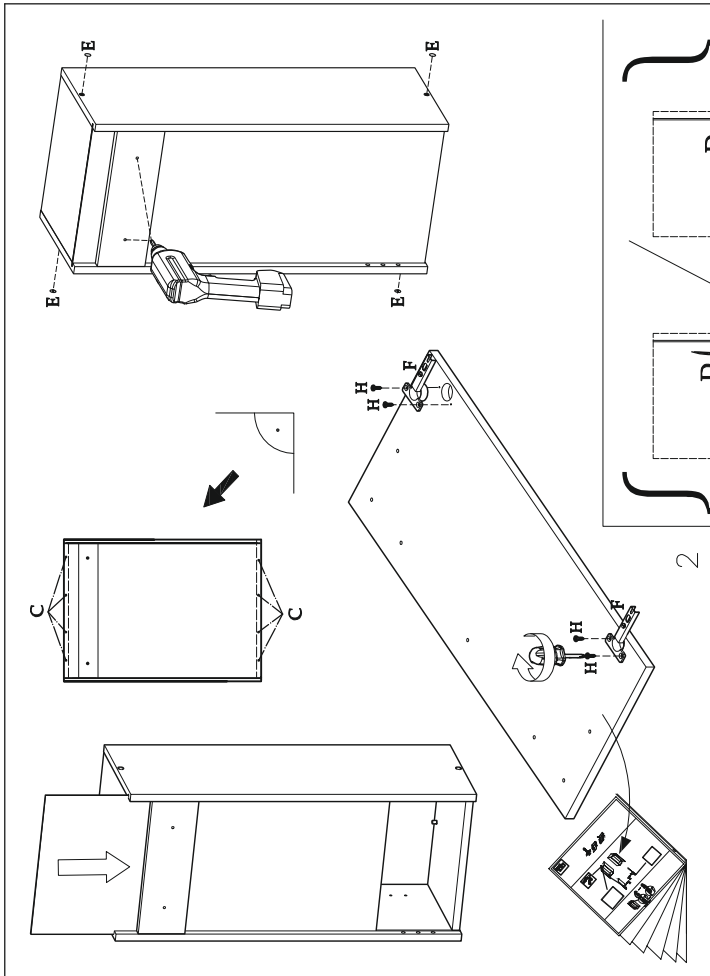
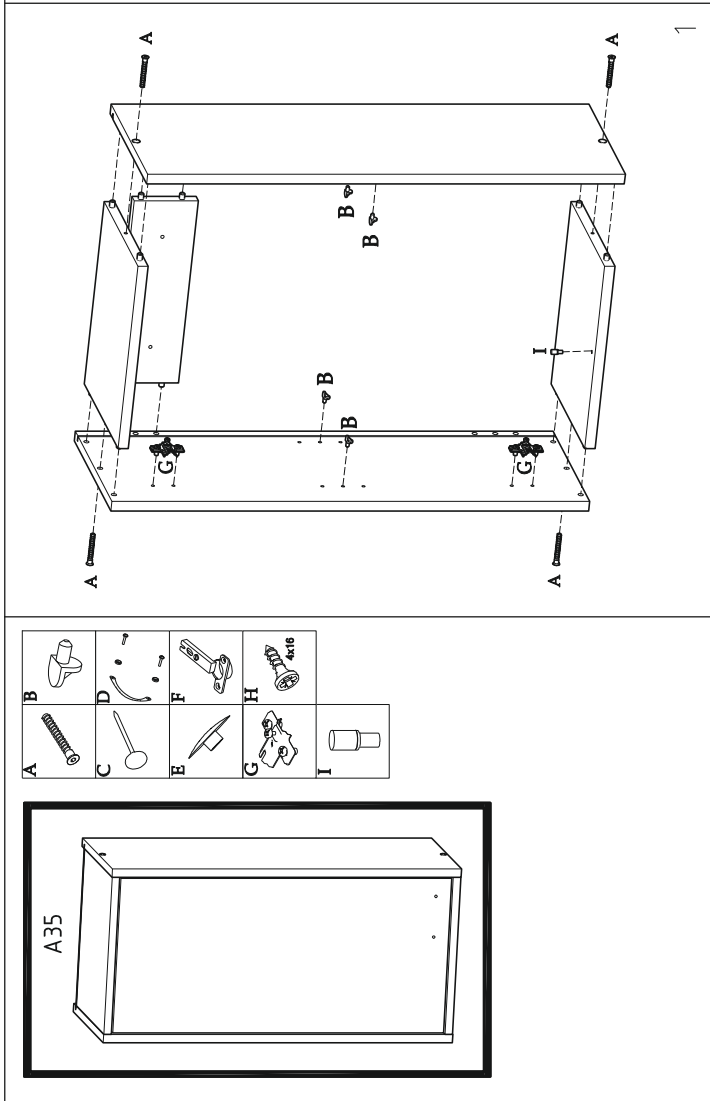

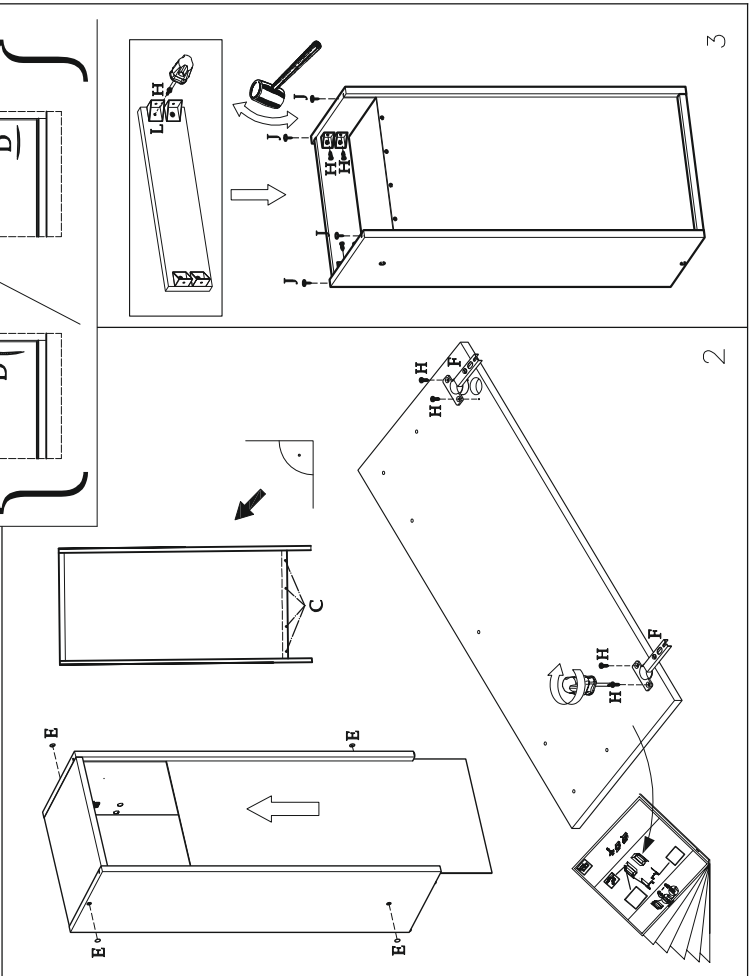
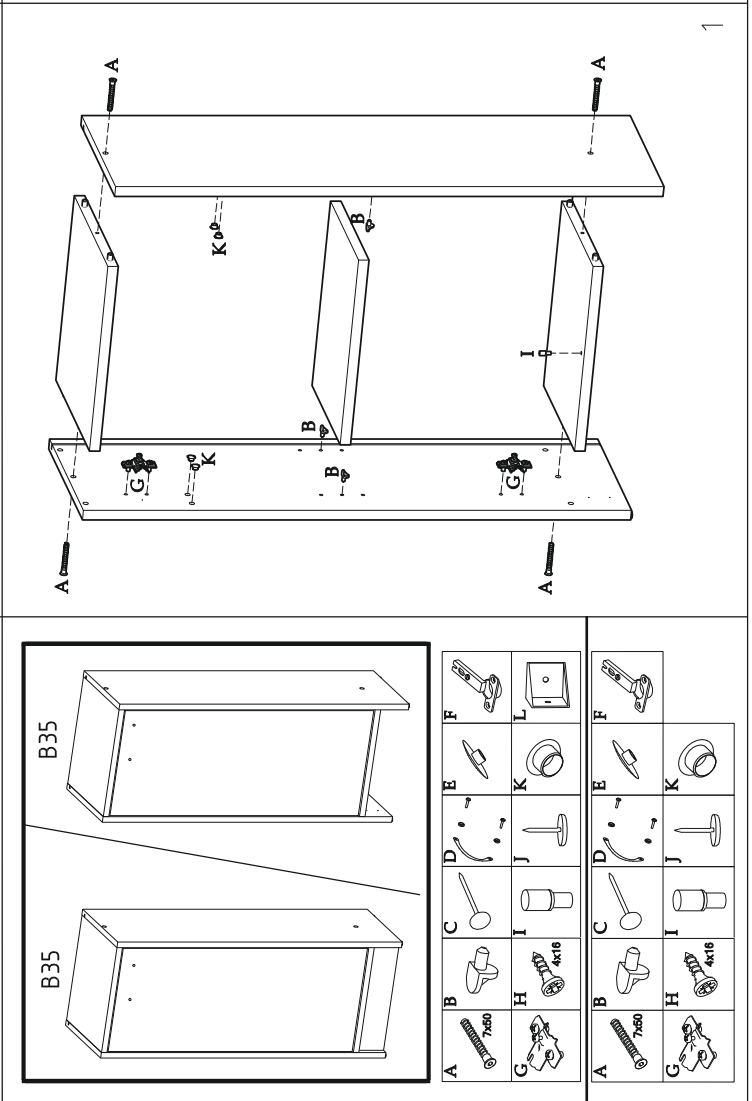

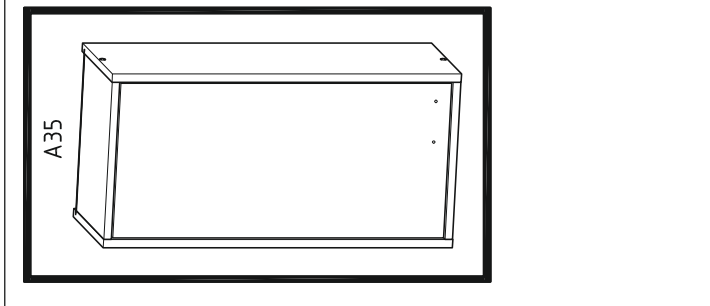
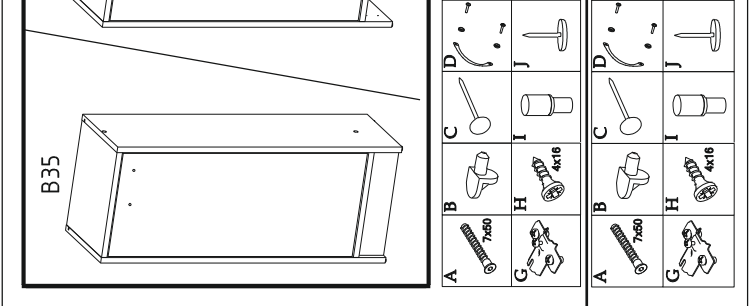
2

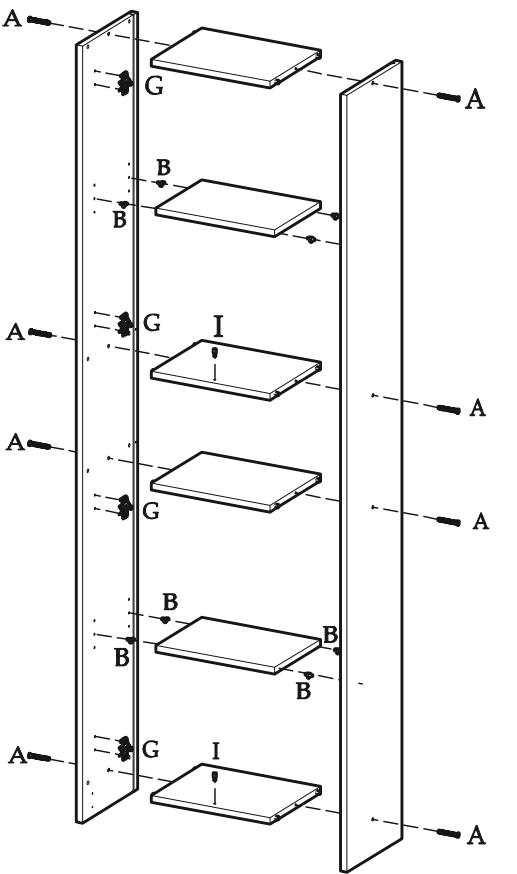
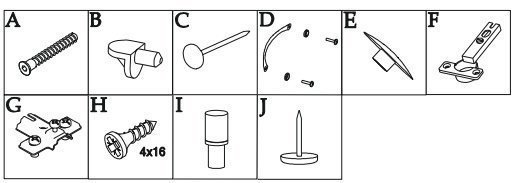
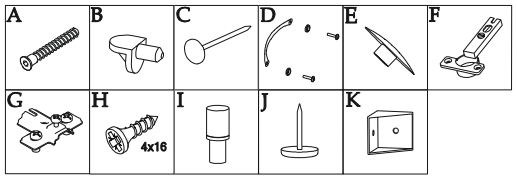
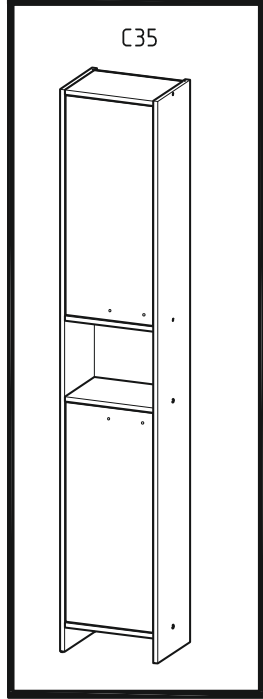
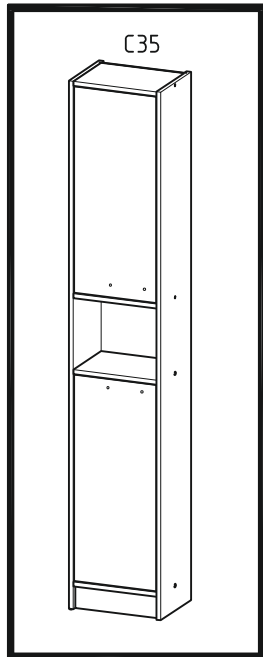


2

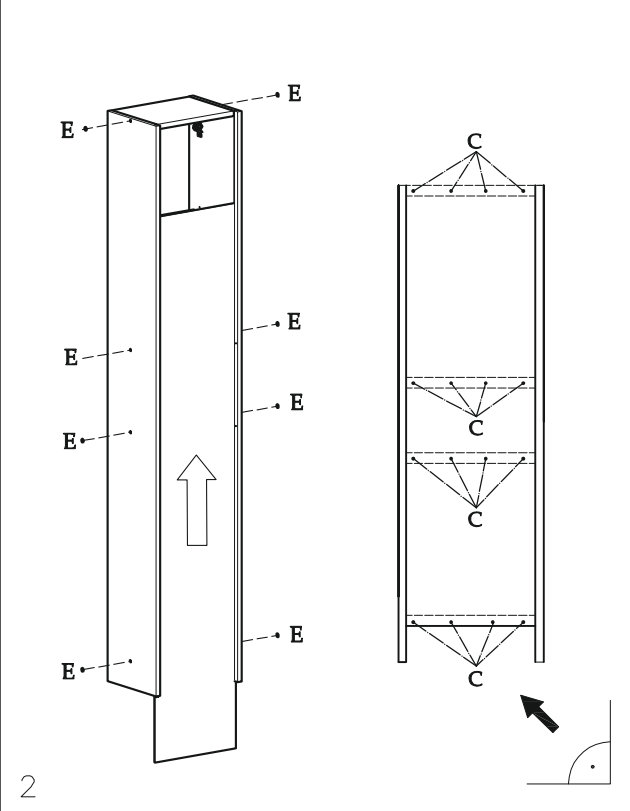




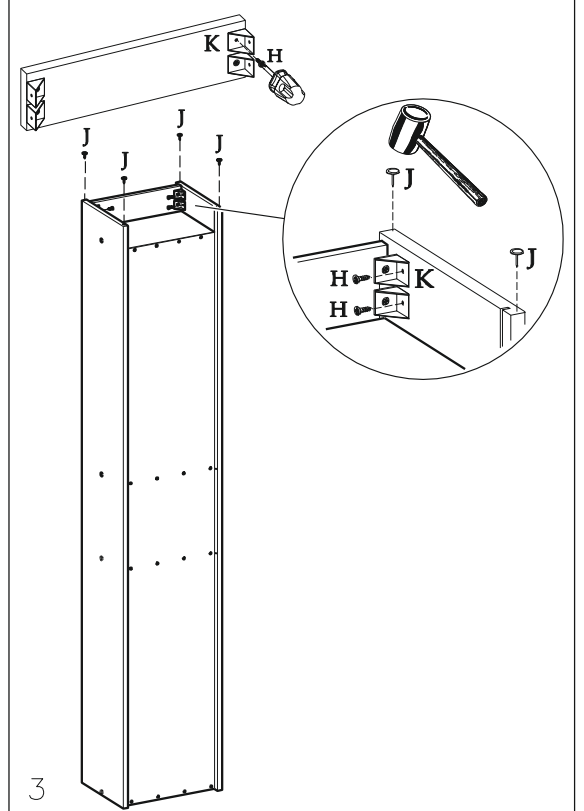
 <p>1</p>	 <p>2</p>	 <p>3</p>																																									
 <p>1</p>	 <p>2</p>	 <p>3</p>																																									
<table border="1"> <tr> <td>A</td> <td>B</td> <td>D</td> <td>F</td> <td>H</td> </tr> <tr> <td></td> <td></td> <td></td> <td></td> <td></td> </tr> <tr> <td>C</td> <td>E</td> <td>G</td> <td>I</td> <td></td> </tr> <tr> <td></td> <td></td> <td></td> <td></td> <td></td> </tr> </table>	A	B	D	F	H						C	E	G	I							 <p>A35</p>	<table border="1"> <tr> <td>A</td> <td>B</td> <td>D</td> <td>F</td> <td>L</td> </tr> <tr> <td></td> <td></td> <td></td> <td></td> <td></td> </tr> <tr> <td>C</td> <td>E</td> <td>G</td> <td>I</td> <td></td> </tr> <tr> <td></td> <td></td> <td></td> <td></td> <td></td> </tr> </table>	A	B	D	F	L						C	E	G	I							 <p>B35</p>
A	B	D	F	H																																							
C	E	G	I																																								
A	B	D	F	L																																							
C	E	G	I																																								



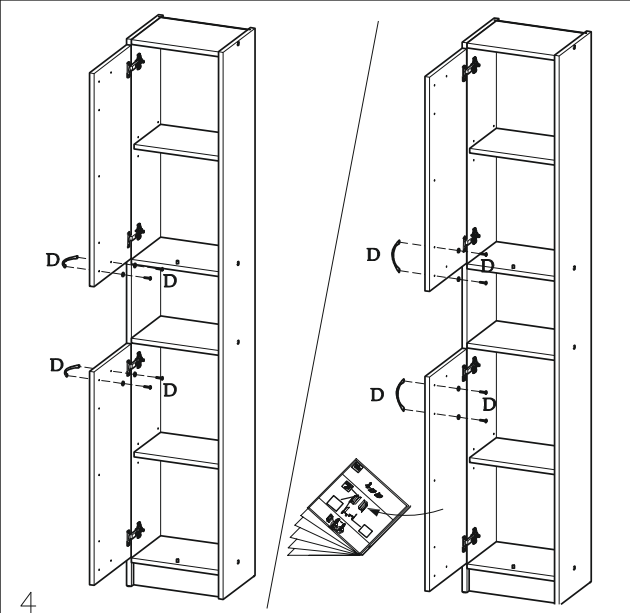
1



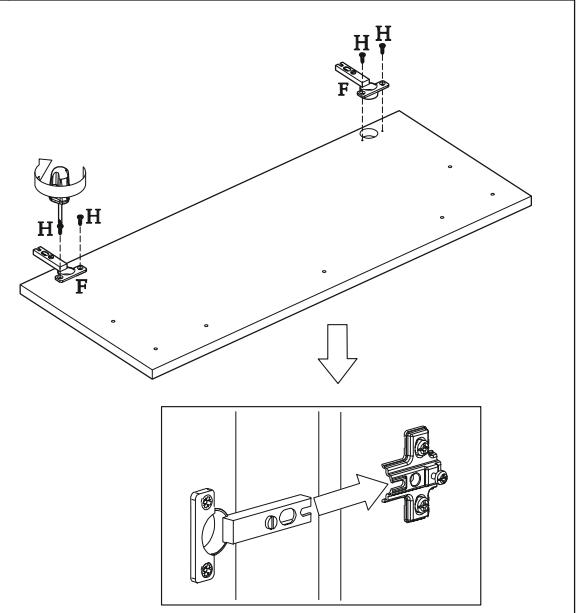
2



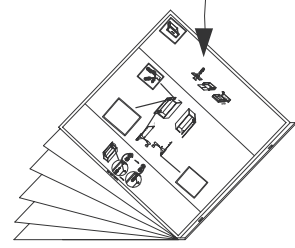
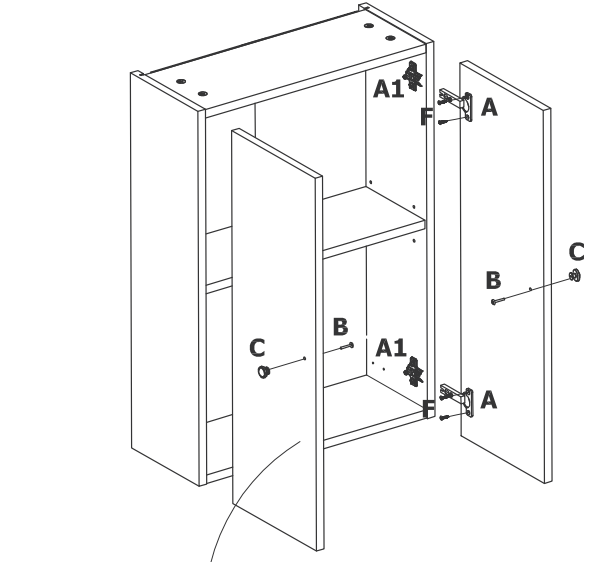
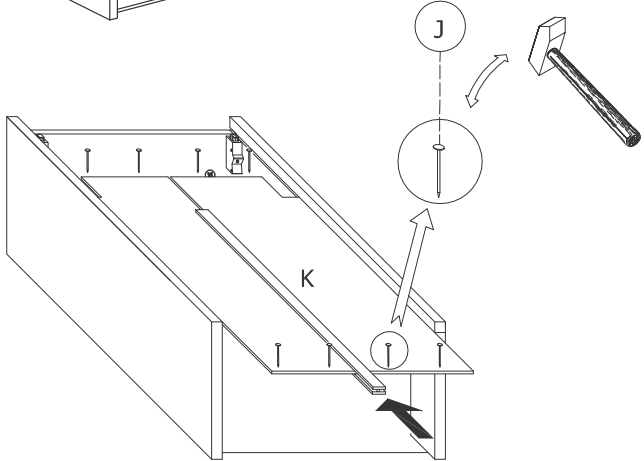
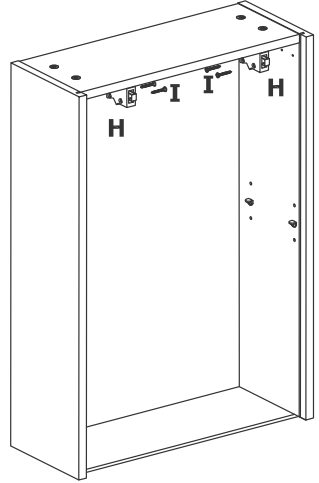
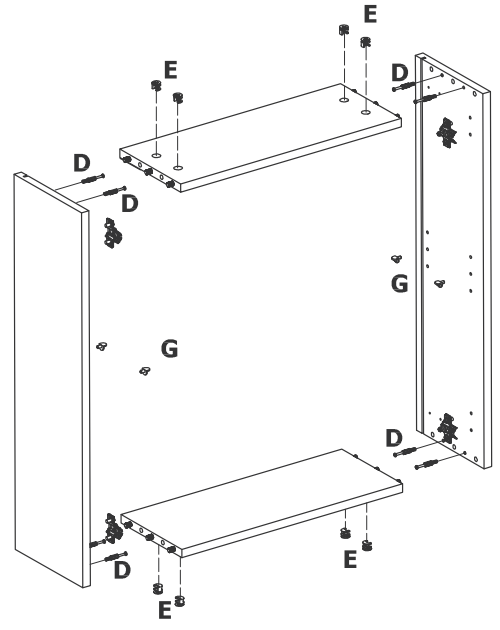
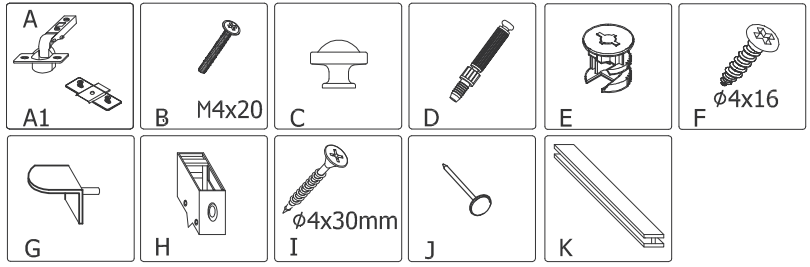
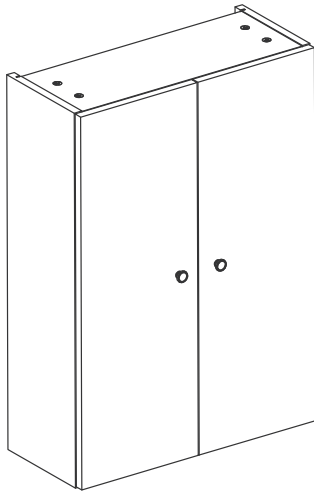
3

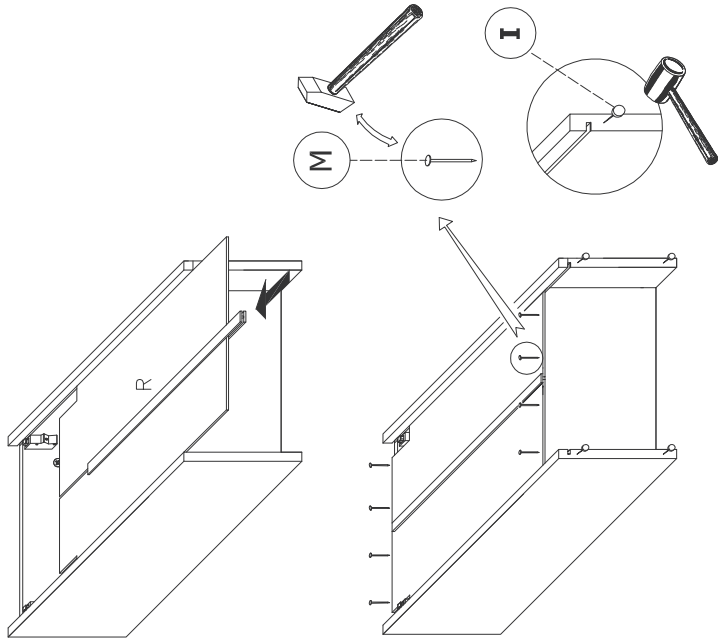


4

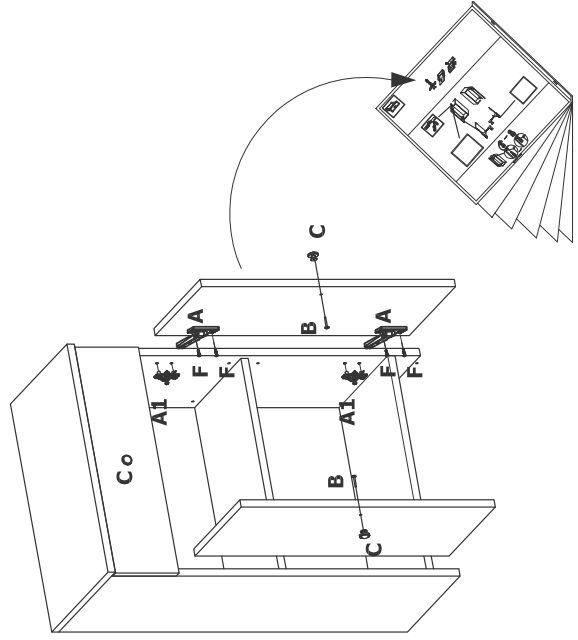


A40;A50;A60

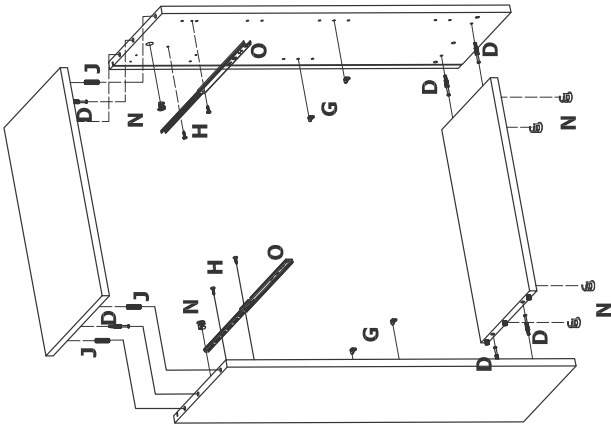




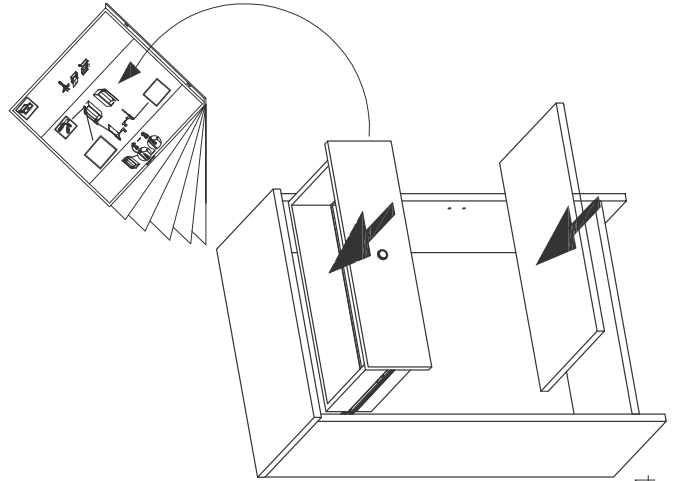
2



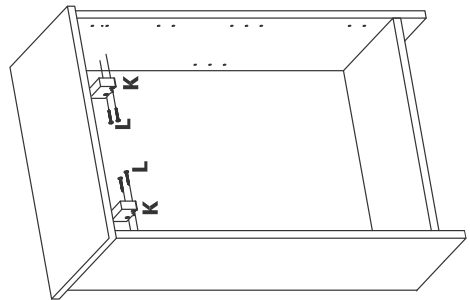
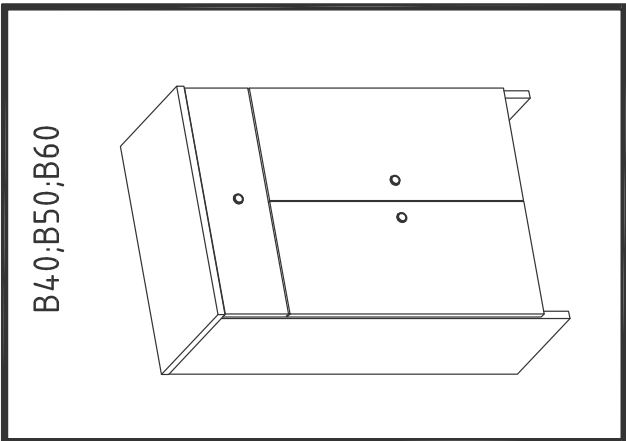
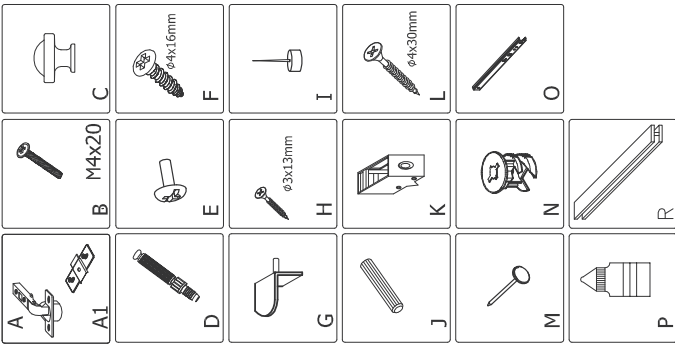
5



1

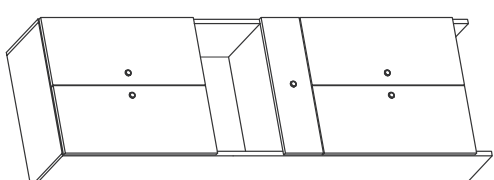














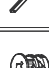



4













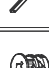





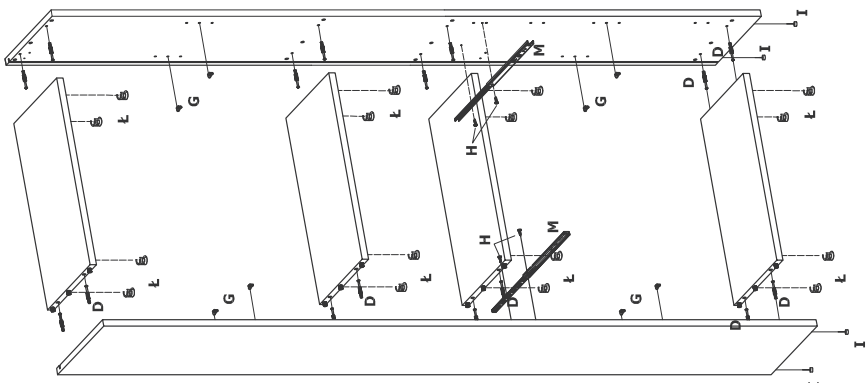
3

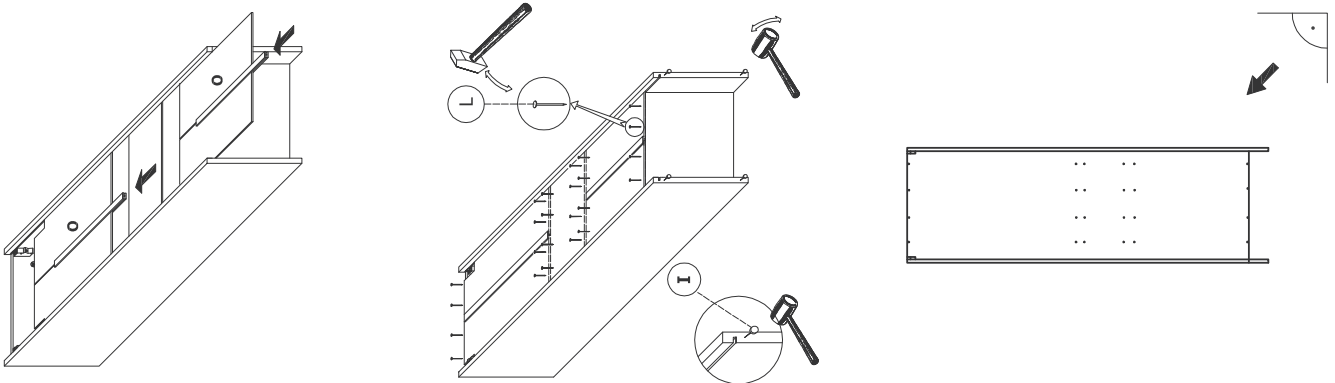
C40,C50,C60

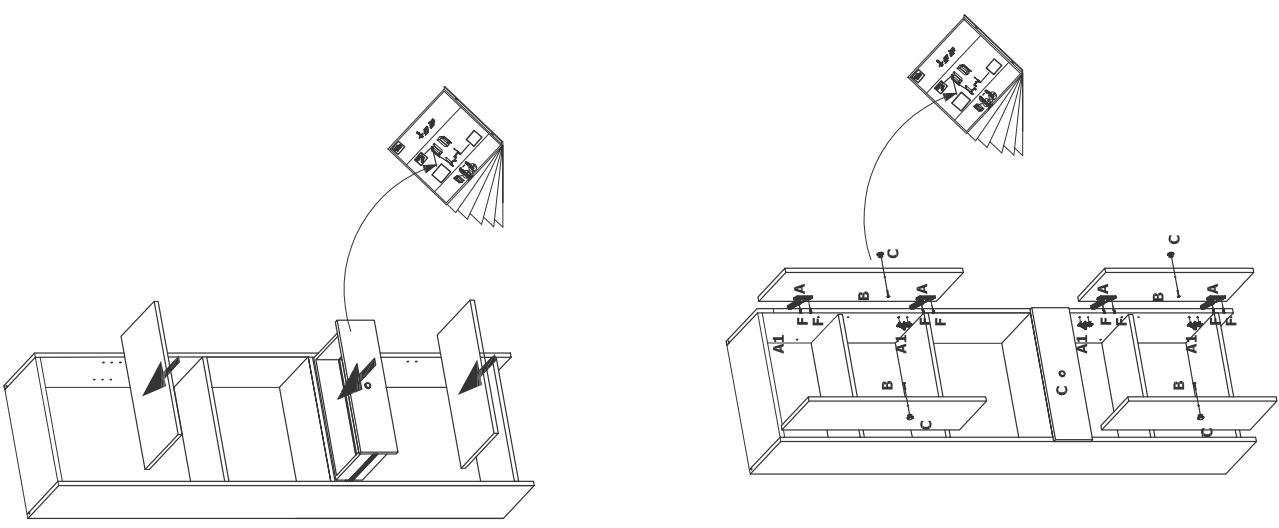






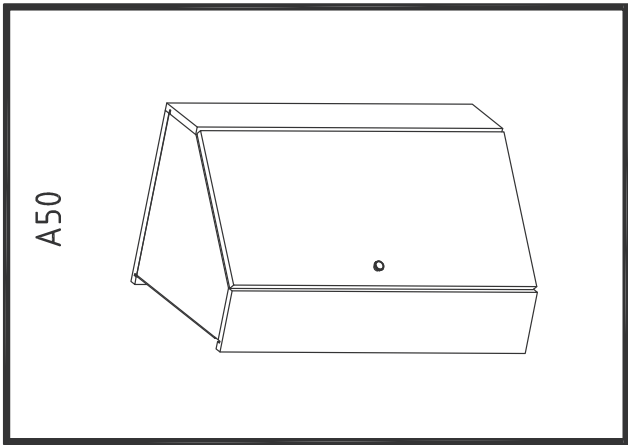


1

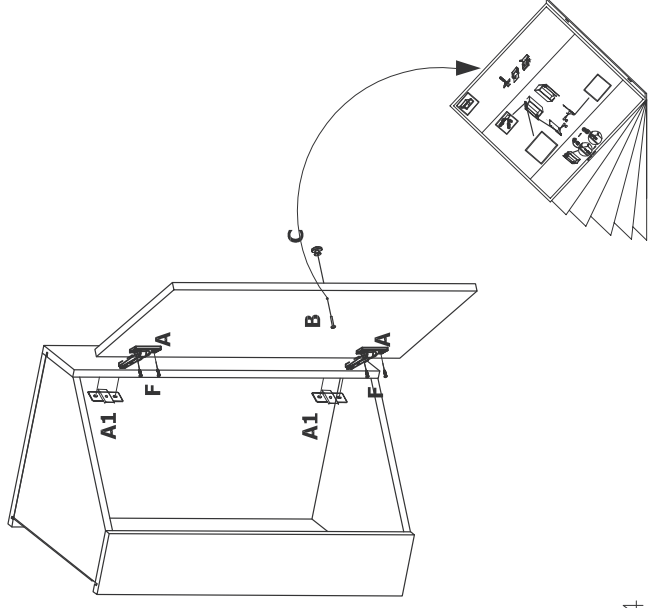
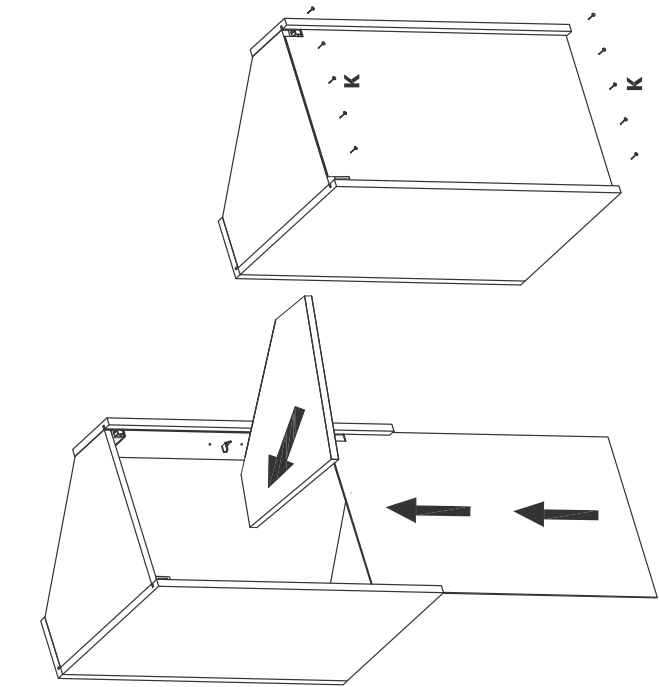
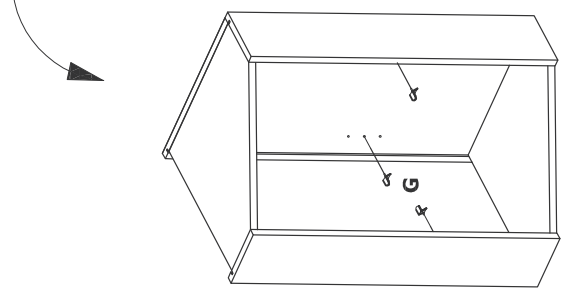
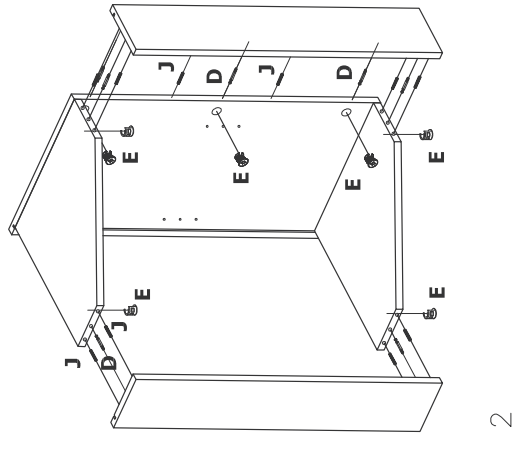
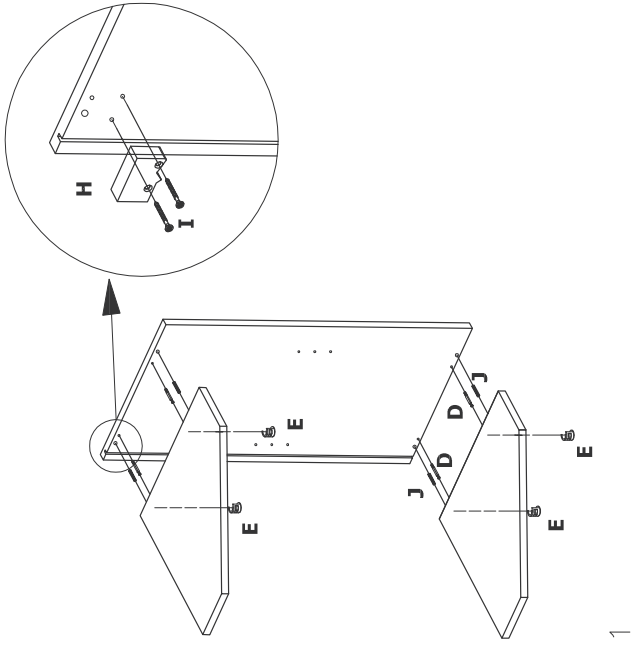
2

3

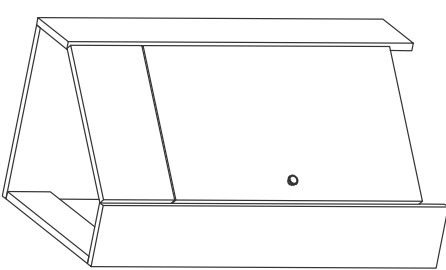
17

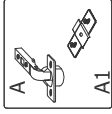

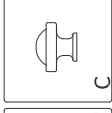
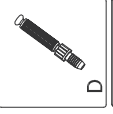

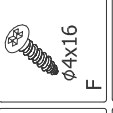
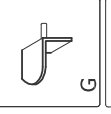

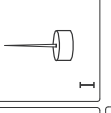
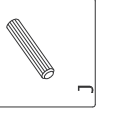
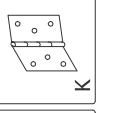


- | | | |
|--|--|--|
| | | |
| | | |
| | | |
| | | |

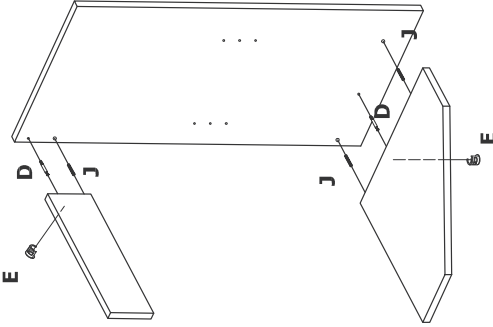


D50

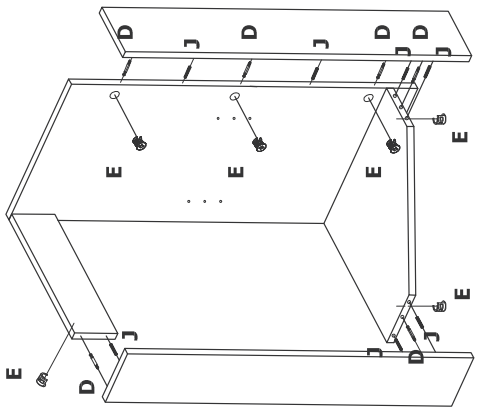


 A1	 B M4x20	 C
 D	 E	 F φ4x16
 G	 H φ3x13	 I
 J	 K	

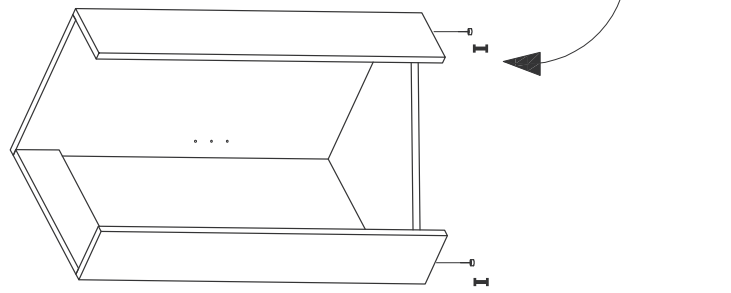
1



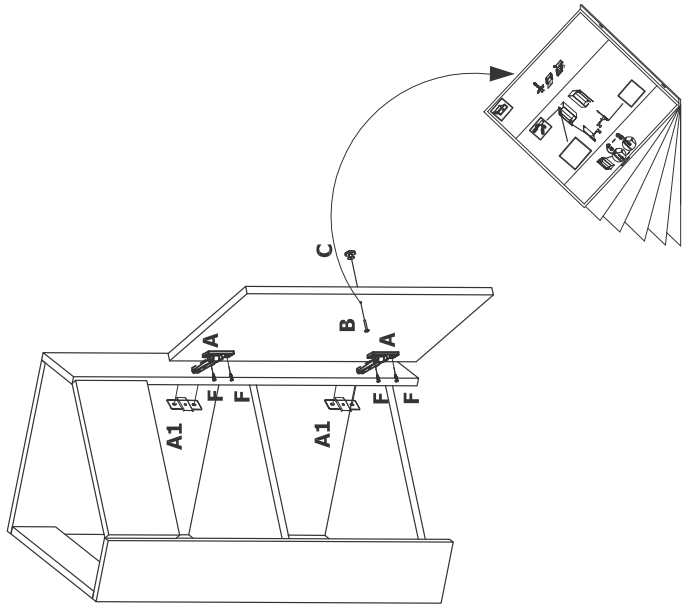
2

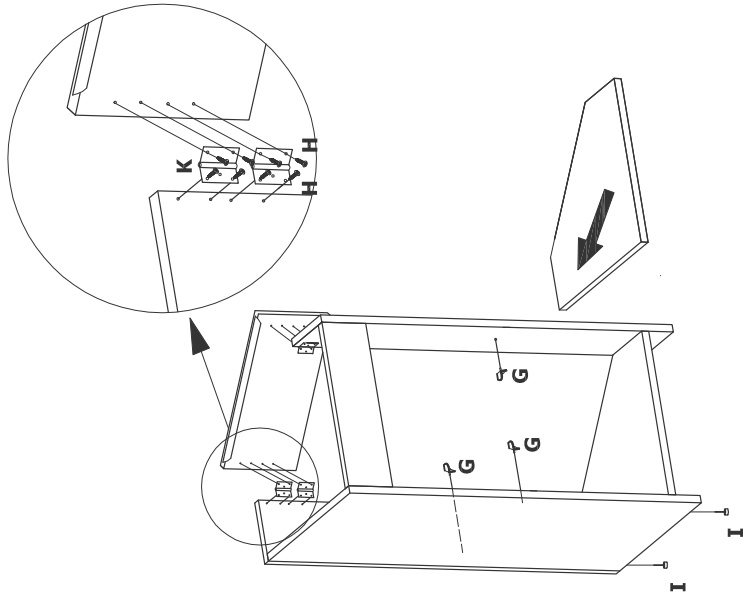


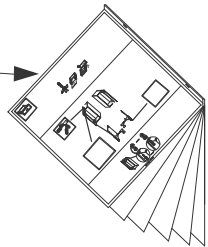
3

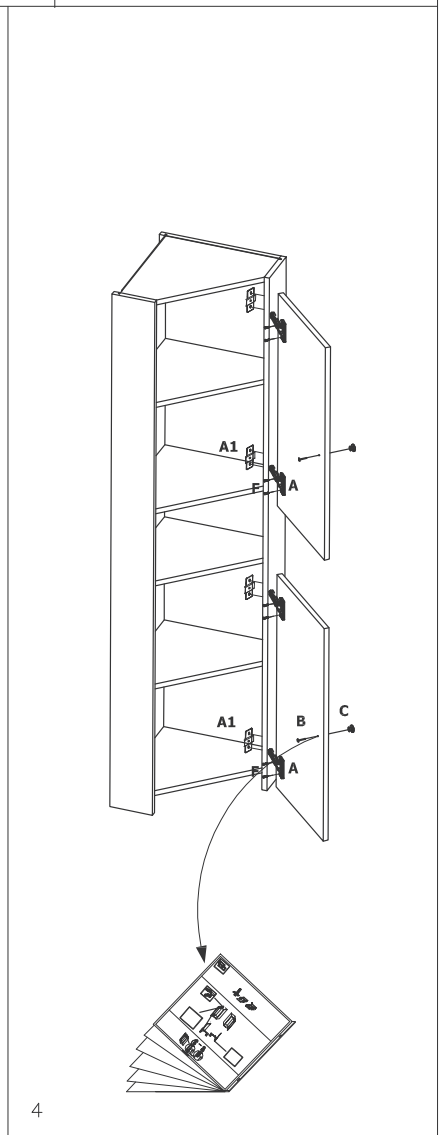
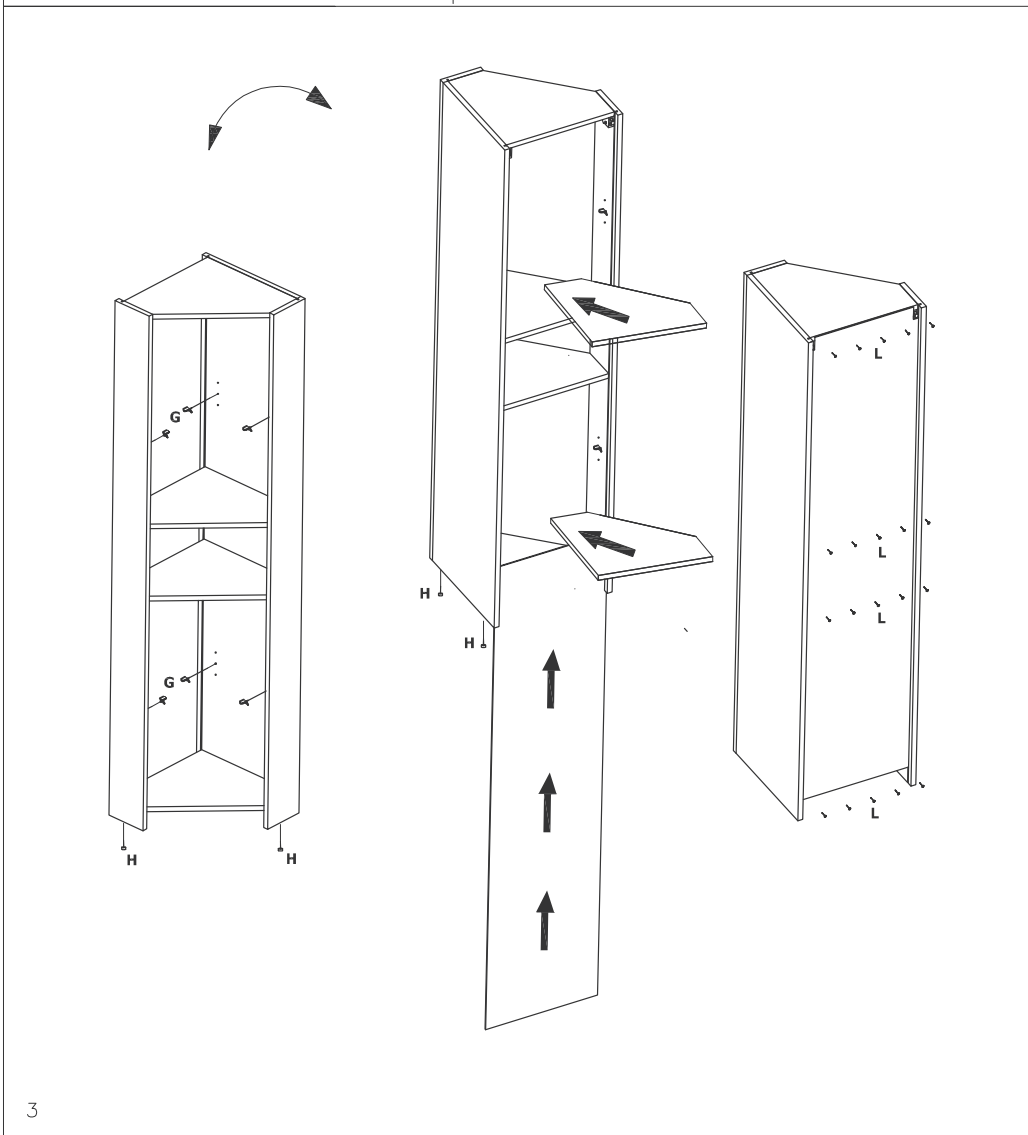
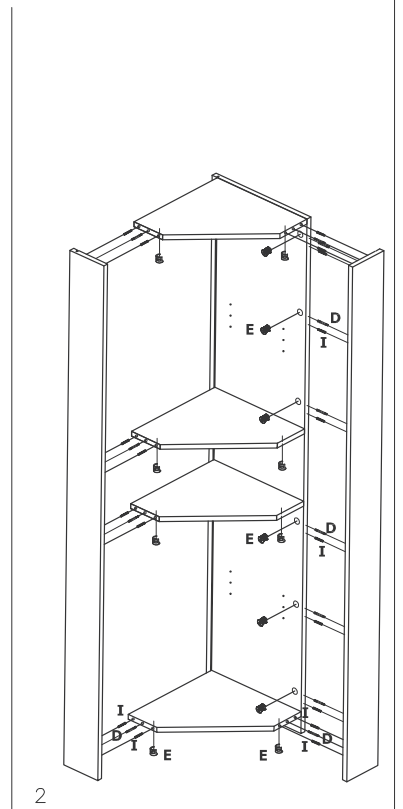
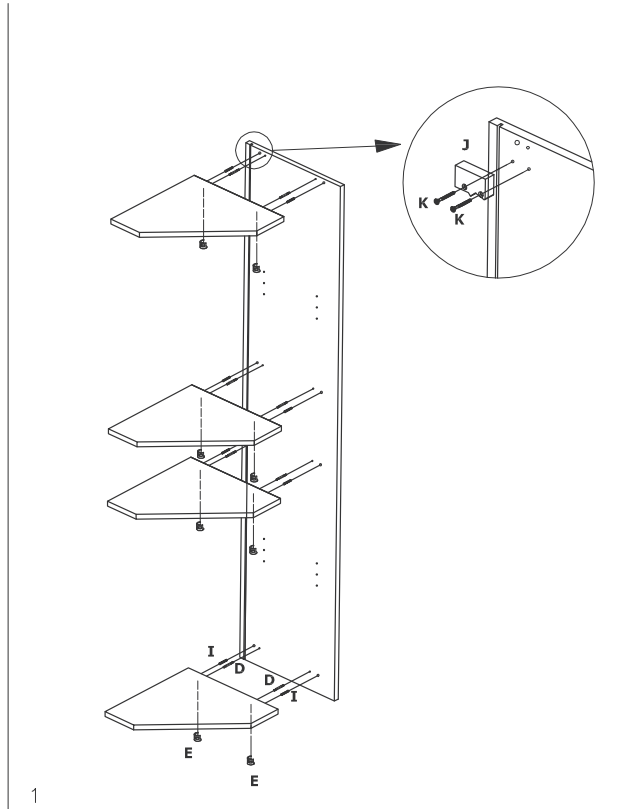
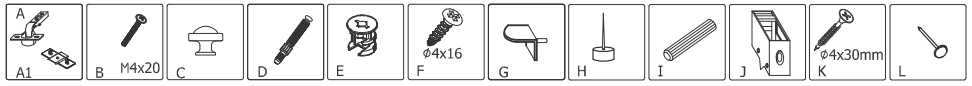
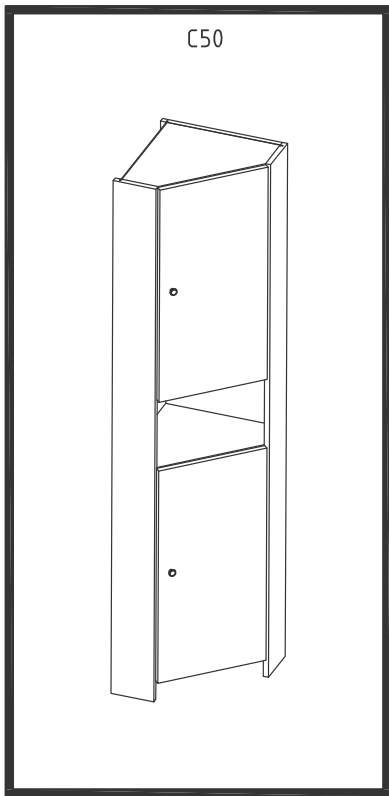


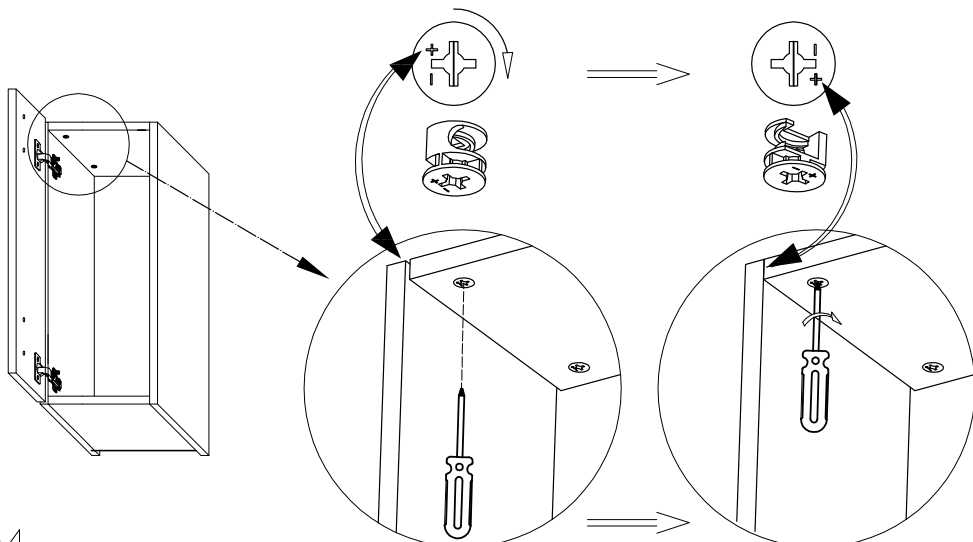
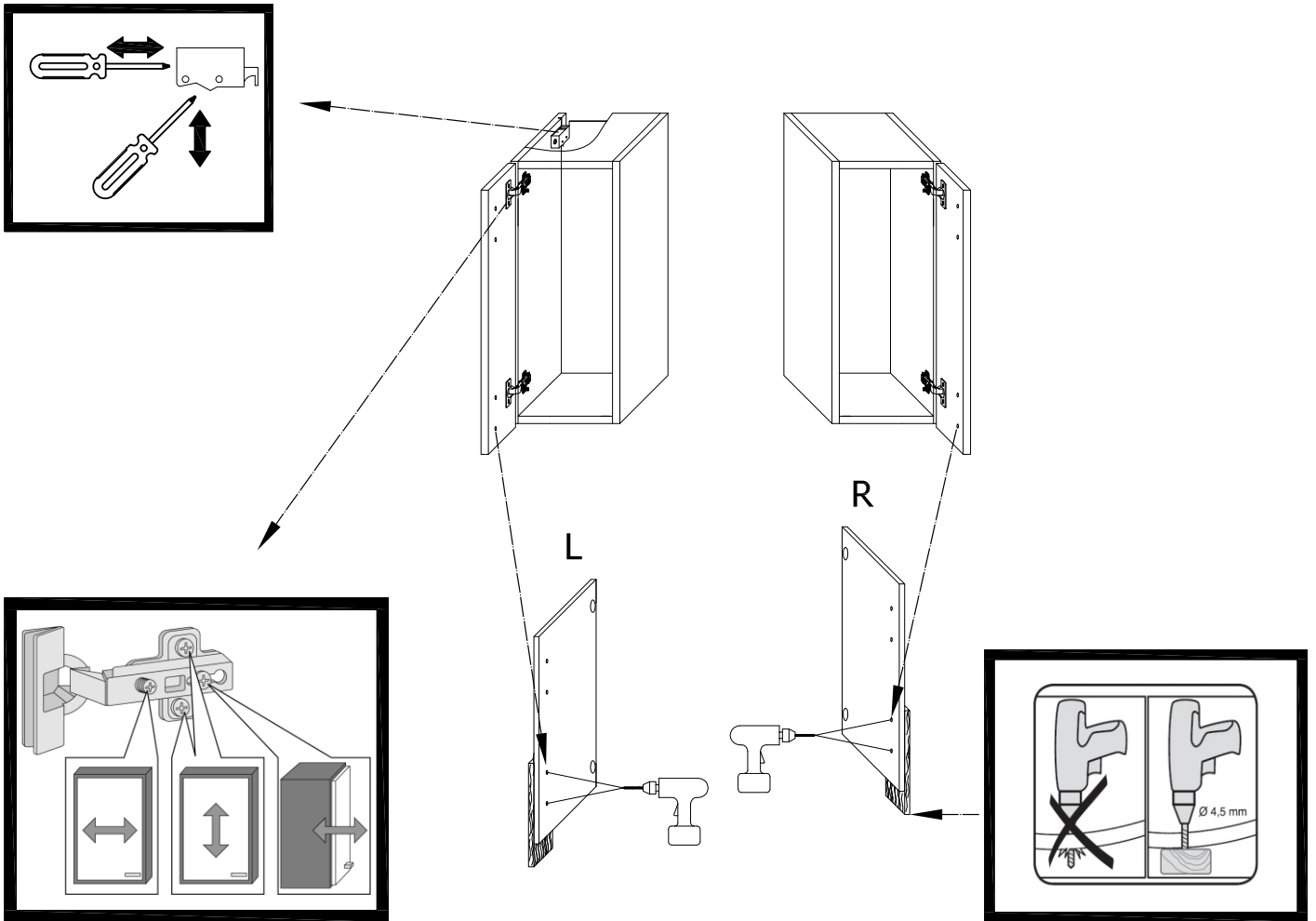
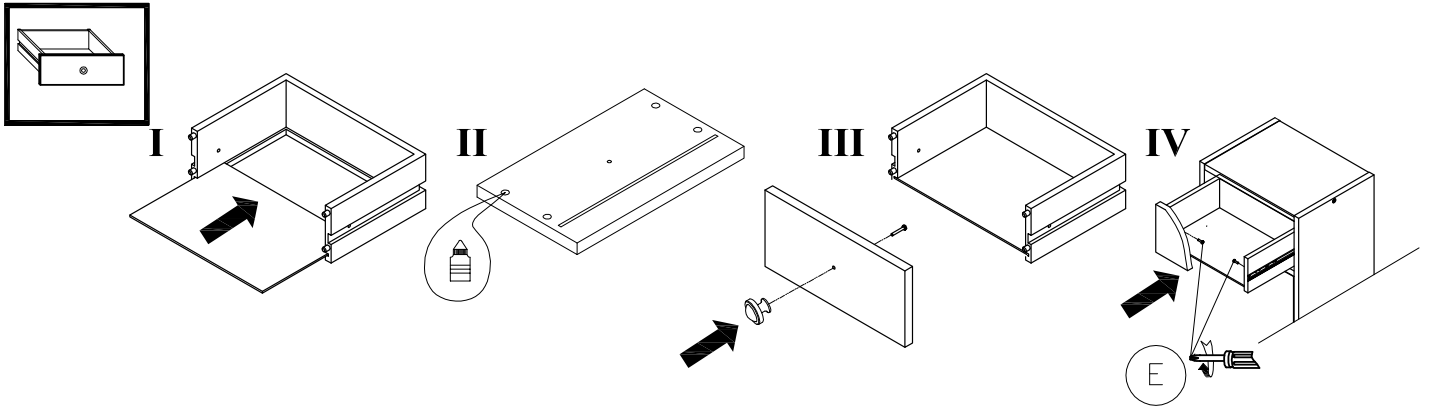
4











WS-INS-0004