

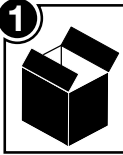
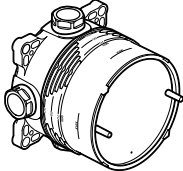

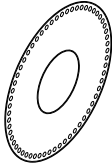



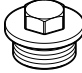



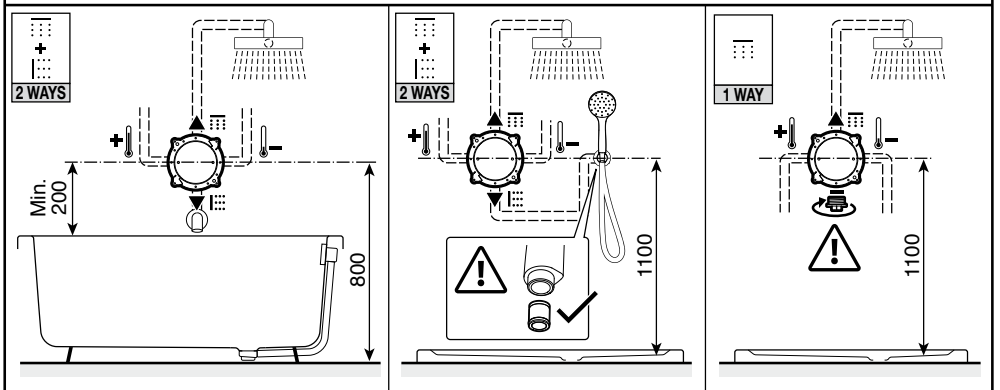
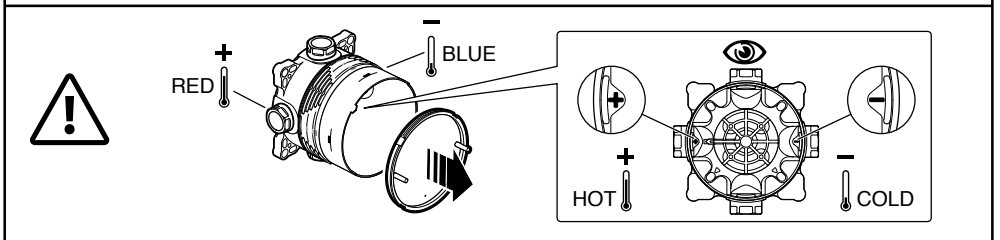
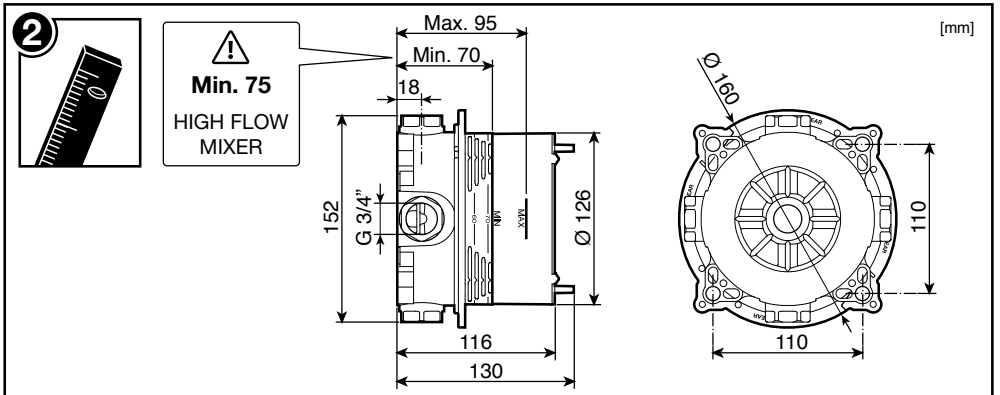
Roca

BOX UNIVERSAL

A525869403



	 x1	 x1	 x1	 x1
	 x2	 x1	 x1	 x1

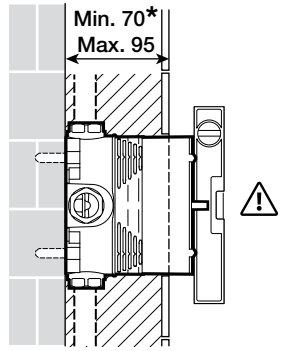
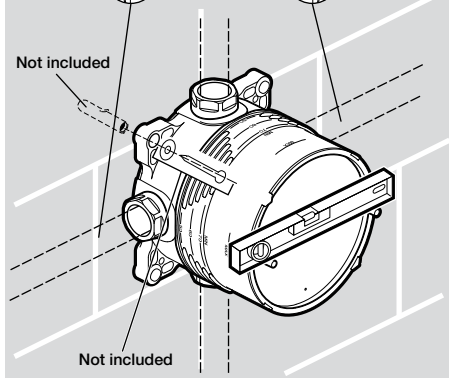




A

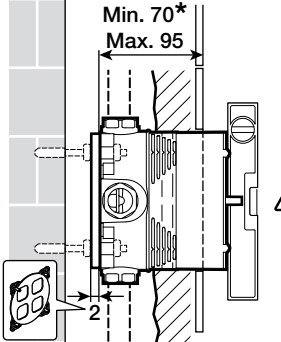
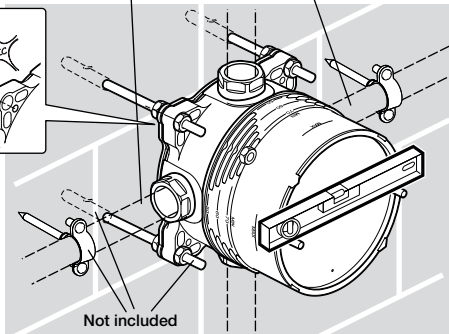
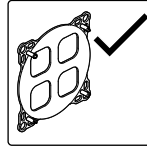


[mm]



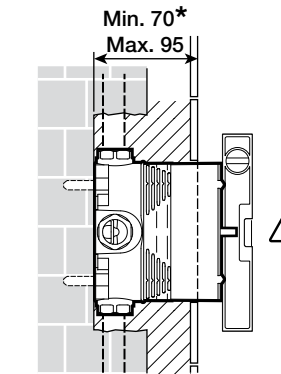
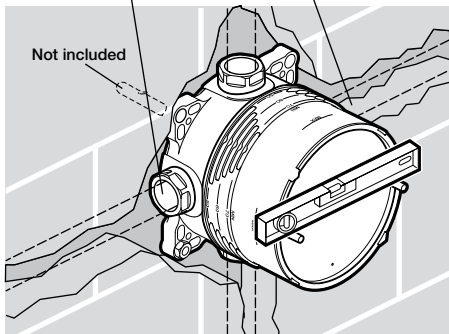
* Min. 75 only in HIGH FLOW
A5A9A4A... / A5A9B4A...

B

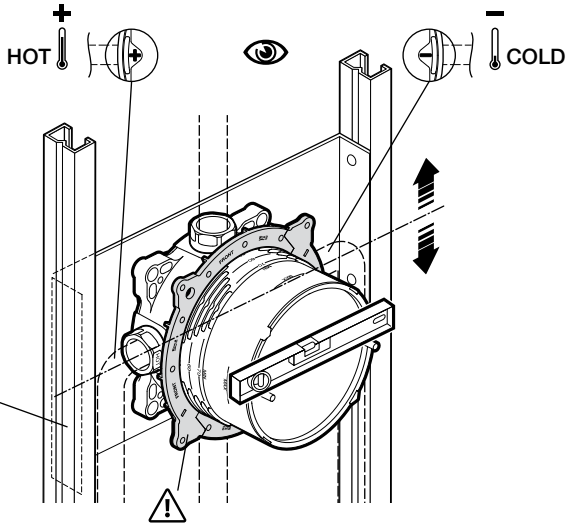


* Min. 75 only in HIGH FLOW
A5A9A4A... / A5A9B4A...

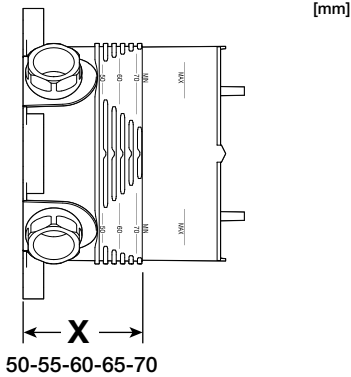
C



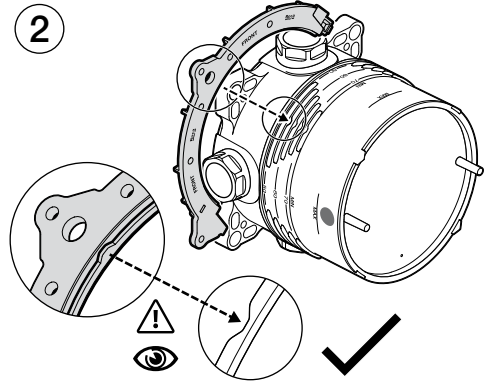
* Min. 75 only in HIGH FLOW
A5A9A4A... / A5A9B4A...



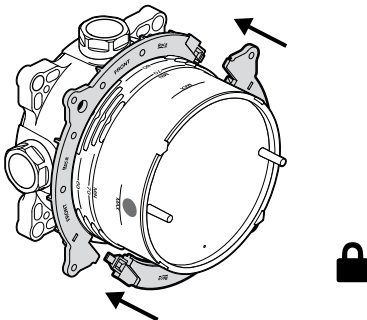
1



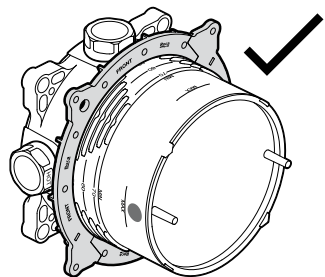
2

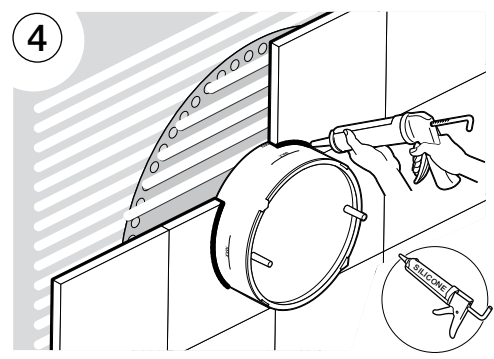
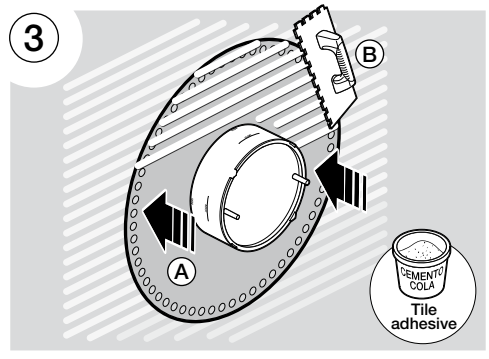
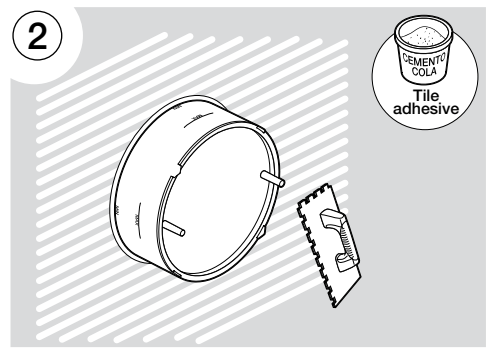
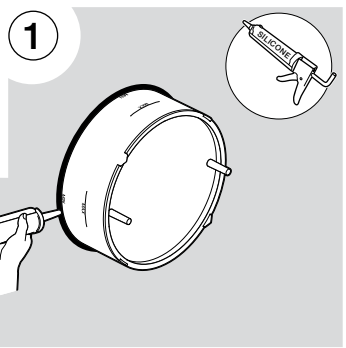
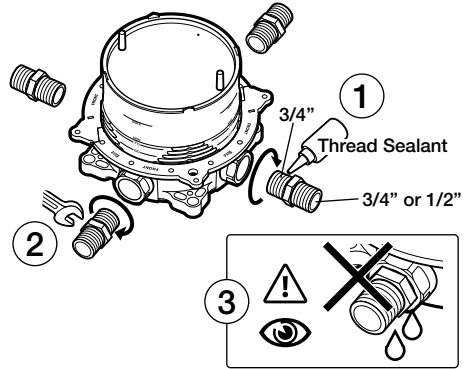
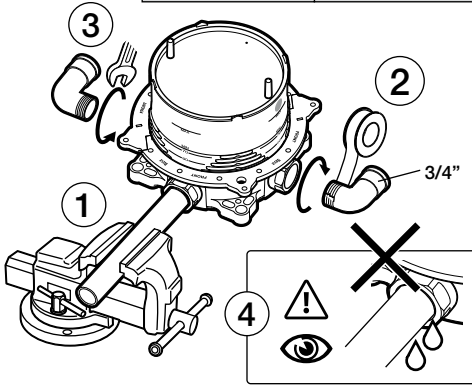
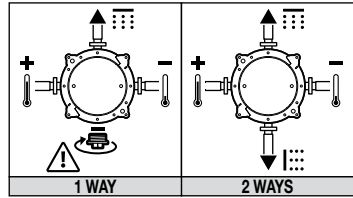
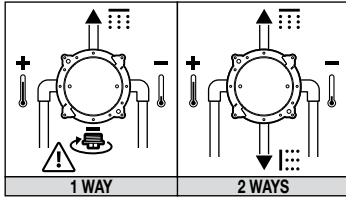


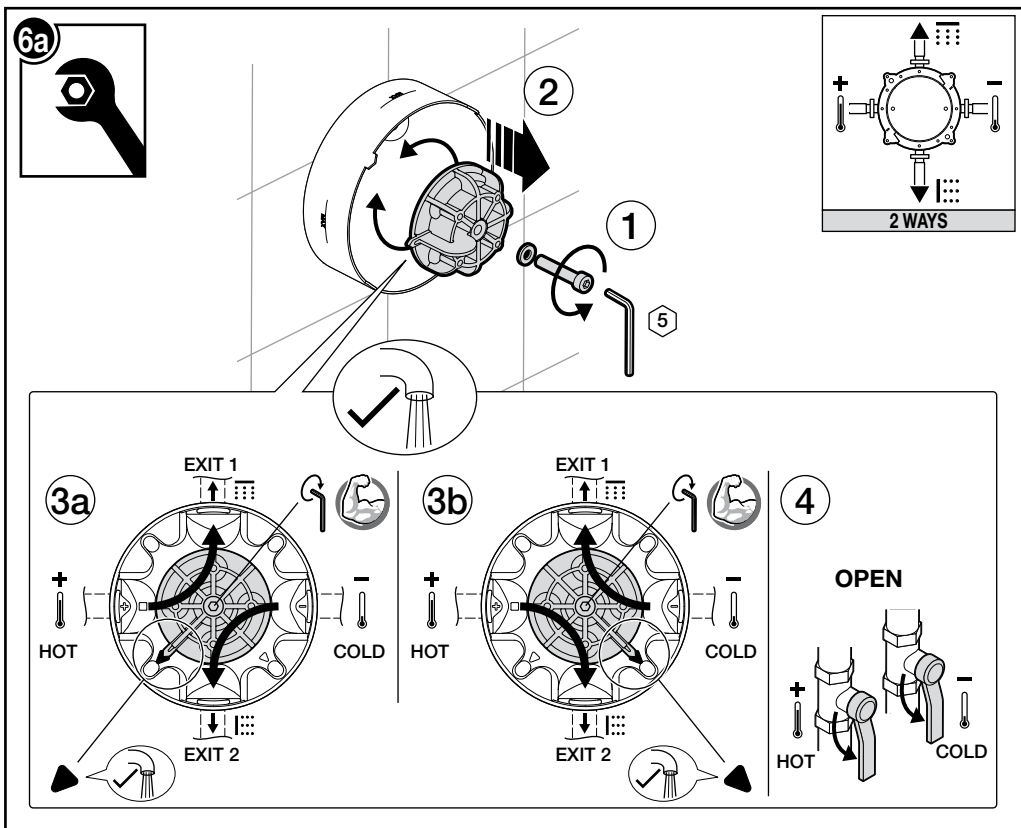
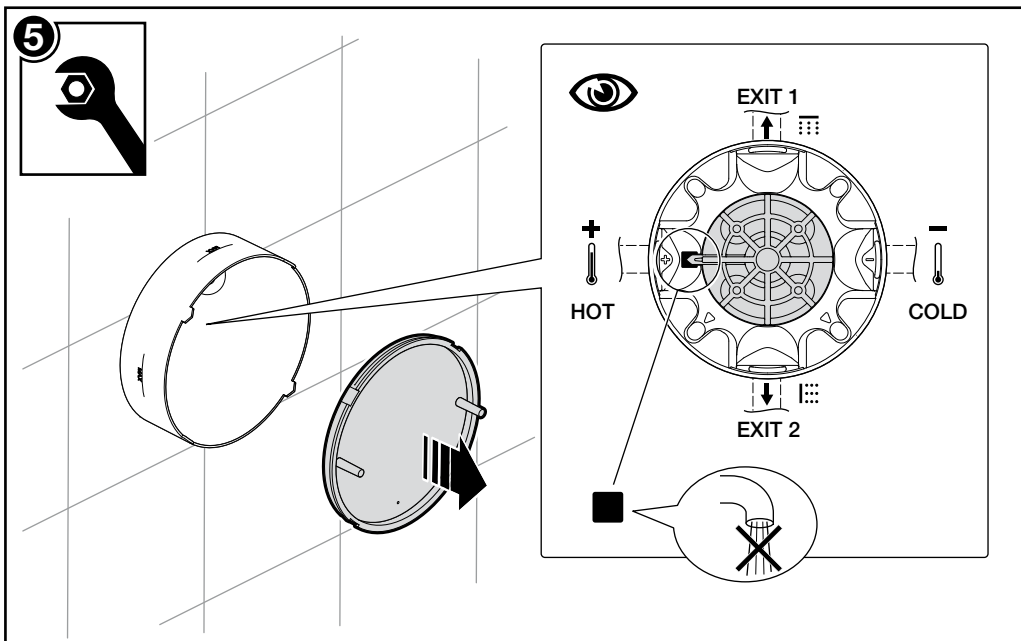
3

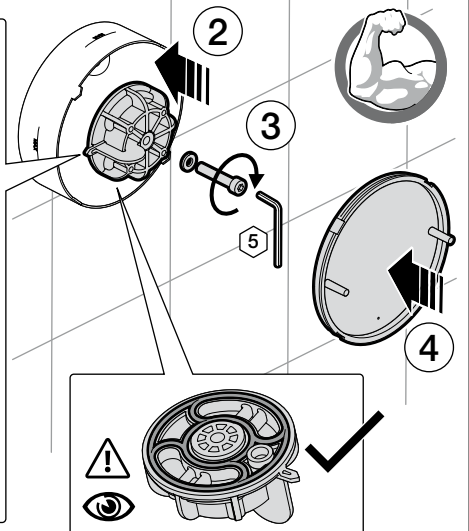
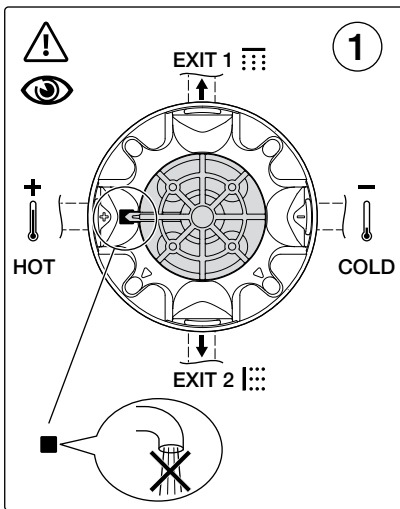
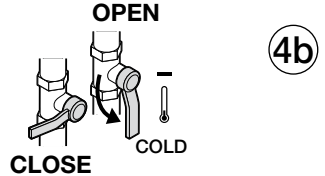
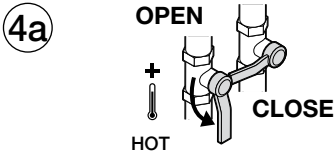
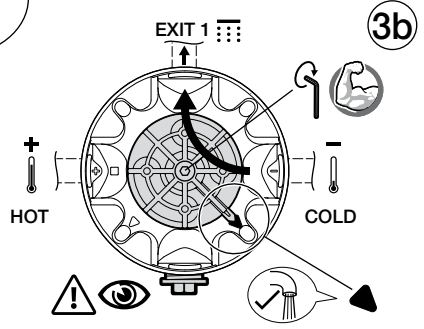
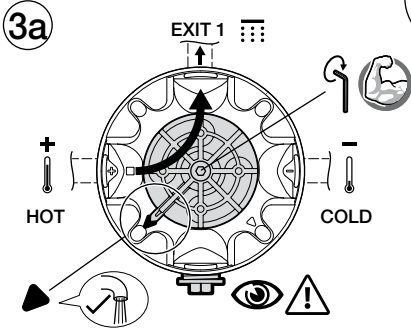
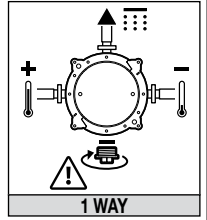
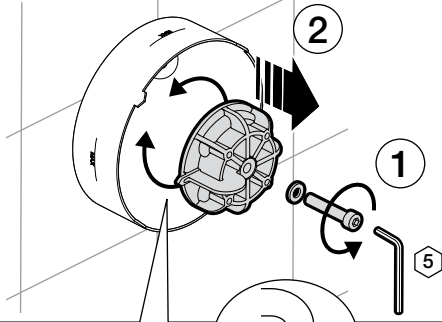


4



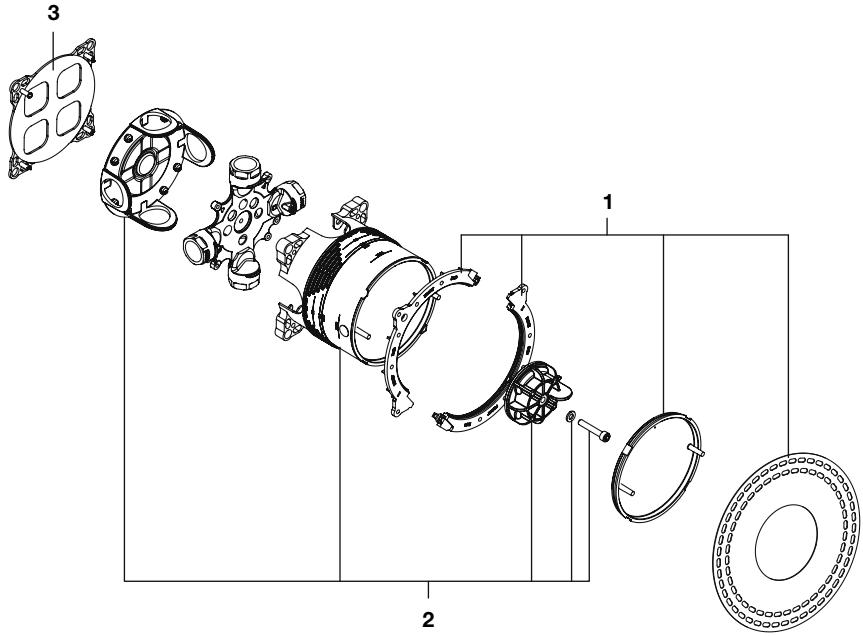






















- 1 AG0120000R
- 2 AG0119900R
- 3 AG0198400R



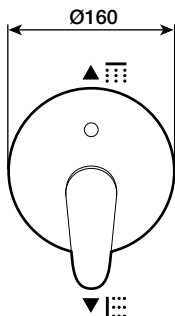
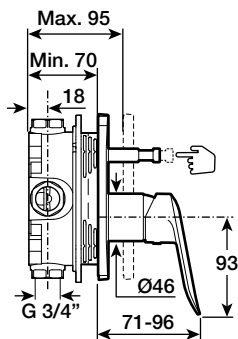
 P 	P bar	 MAX 10	TEST  16
 P 	P bar	MIN 1  5 MAX	3  
  T	°C	 -80 MAX.	 -65 -50 

LOGICA

A5A0B27...



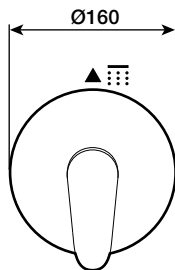
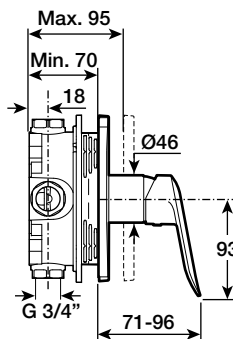
2 WAYS



A5A2B27...



1 WAY

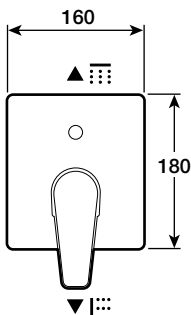
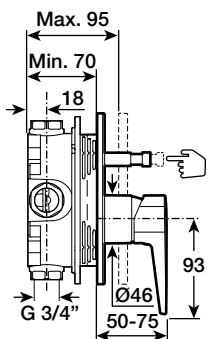


ESMAI

A5A0B31...



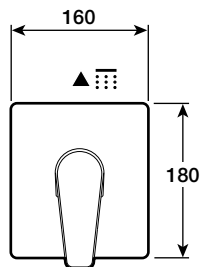
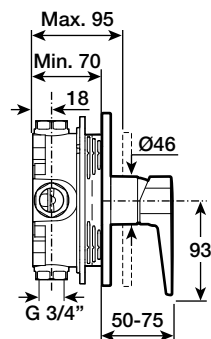
2 WAYS



A5A2B31...



1 WAY

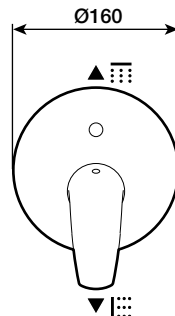
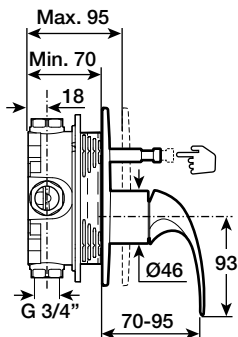


M2

A5A0B68...



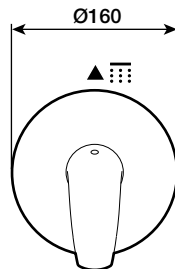
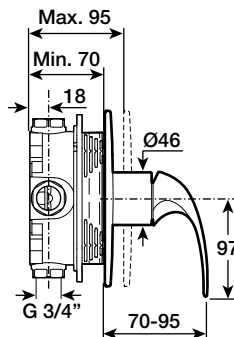
2 WAYS



A5A2B68...

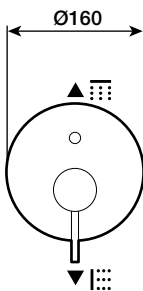
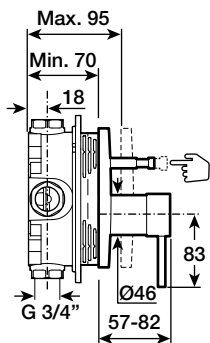


1 WAY

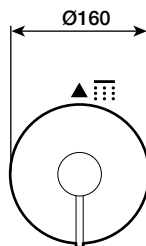
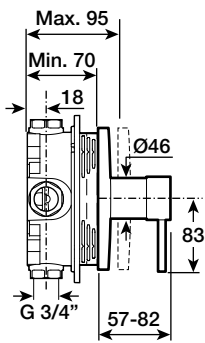


LANTA

A5A0B11...

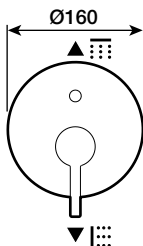
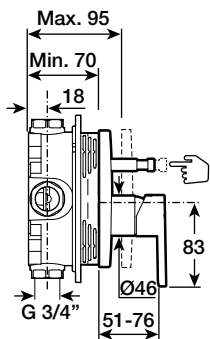


A5A2B11...

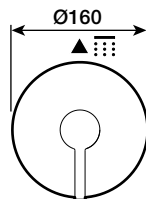
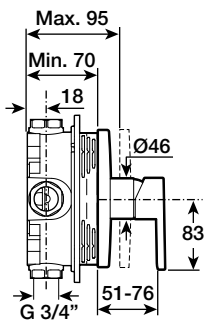


NAIA

A5A0B96...

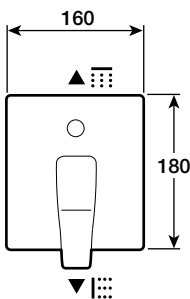
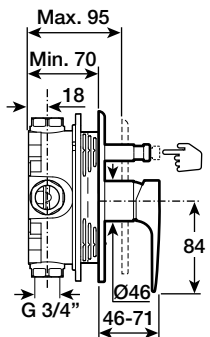


A5A2B96...

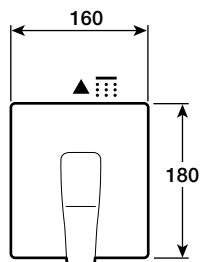
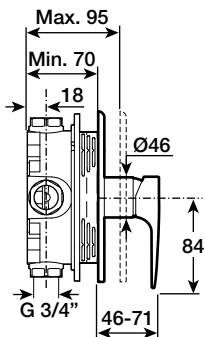


THESIS

A5A0B50...

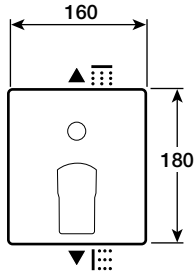
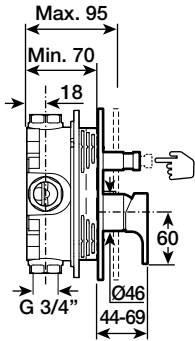


A5A2B50...

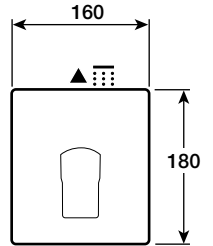
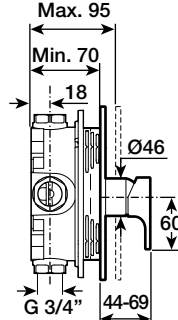


L90

A5A0B01...

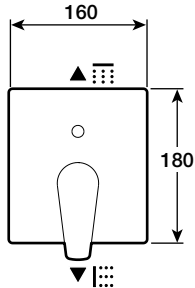
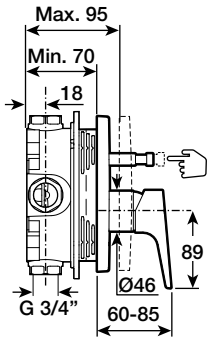


A5A2B01...

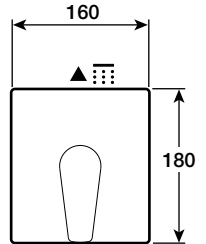
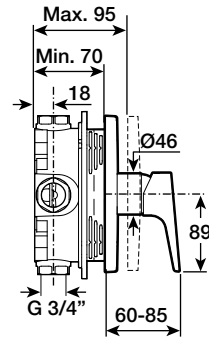


ATLAS

A5A0B90...

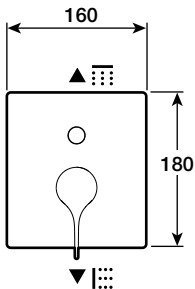
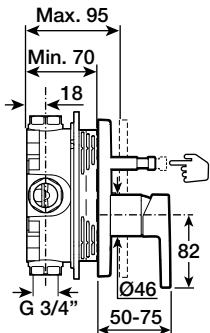


A5A2B90...

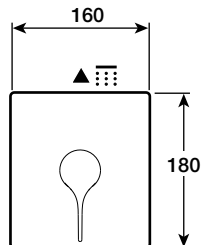
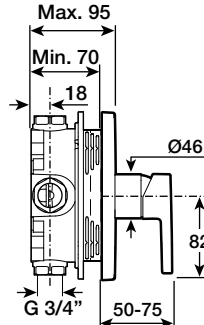


INSIGNIA

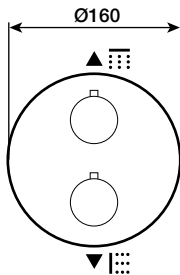
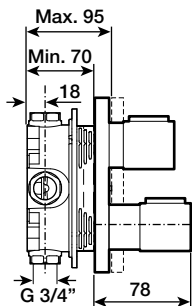
A5A0B3A...



A5A2B3A...



T1000



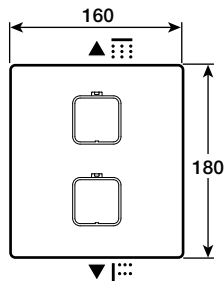
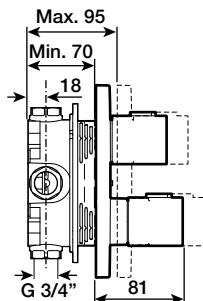
A5A0C09...



A5A2C09...



T1000 SQUARE



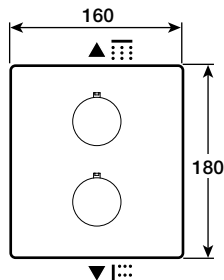
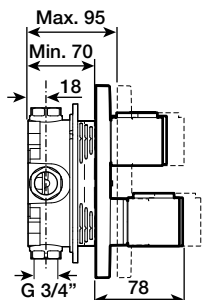
A5A0C1A...



A5A2C1A...



T2000



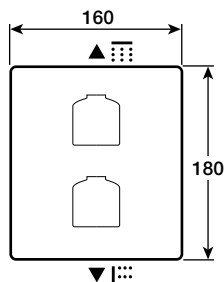
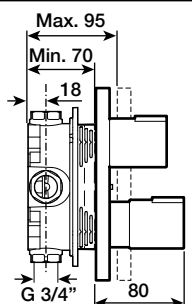
A5A0C88...



A5A2C88...



L90-T



A5A0C01...



A5A2C01...

