

## Talis S

Single lever bath mixer for exposed installation with centre distance 15.3 cm

Surfaces: **Chrome** Article Number: **72401000**



### Description

#### product features

- 2 functions
- projection 166 mm
- centre distance: 153 mm
- spray type mixer: normal spray
- flow rate for bath spout at 3 bar: 19 l/min
- flow rate of hand shower at 3 bar: 12 l/min
- ceramic cartridge
- temperature limitation adjustable
- diverter with automatic resetting
- intrinsically safe against backflow
- with silencer
- suitable for continuous flow water heaters
- connection dimension: DN15

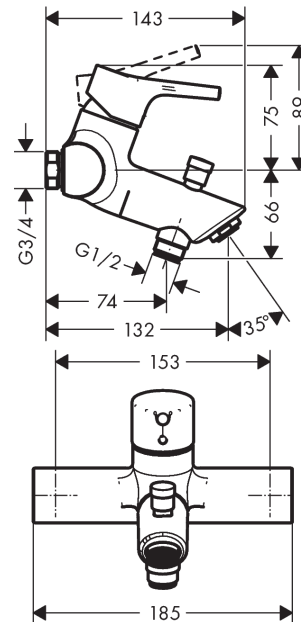
### Technology



### Product image



### Scale drawing



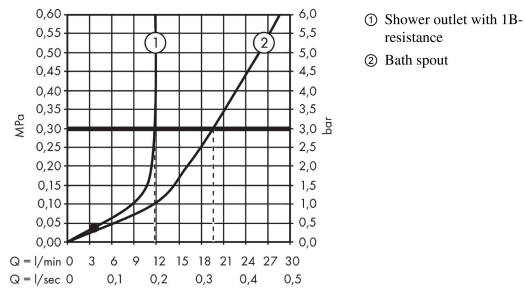
**Talis S**

**Single lever bath mixer for exposed installation with centre distance 15.3 cm**

Surfaces: **Chrome** Article Number: **72401000**



**Flowchart**



**Talis S**

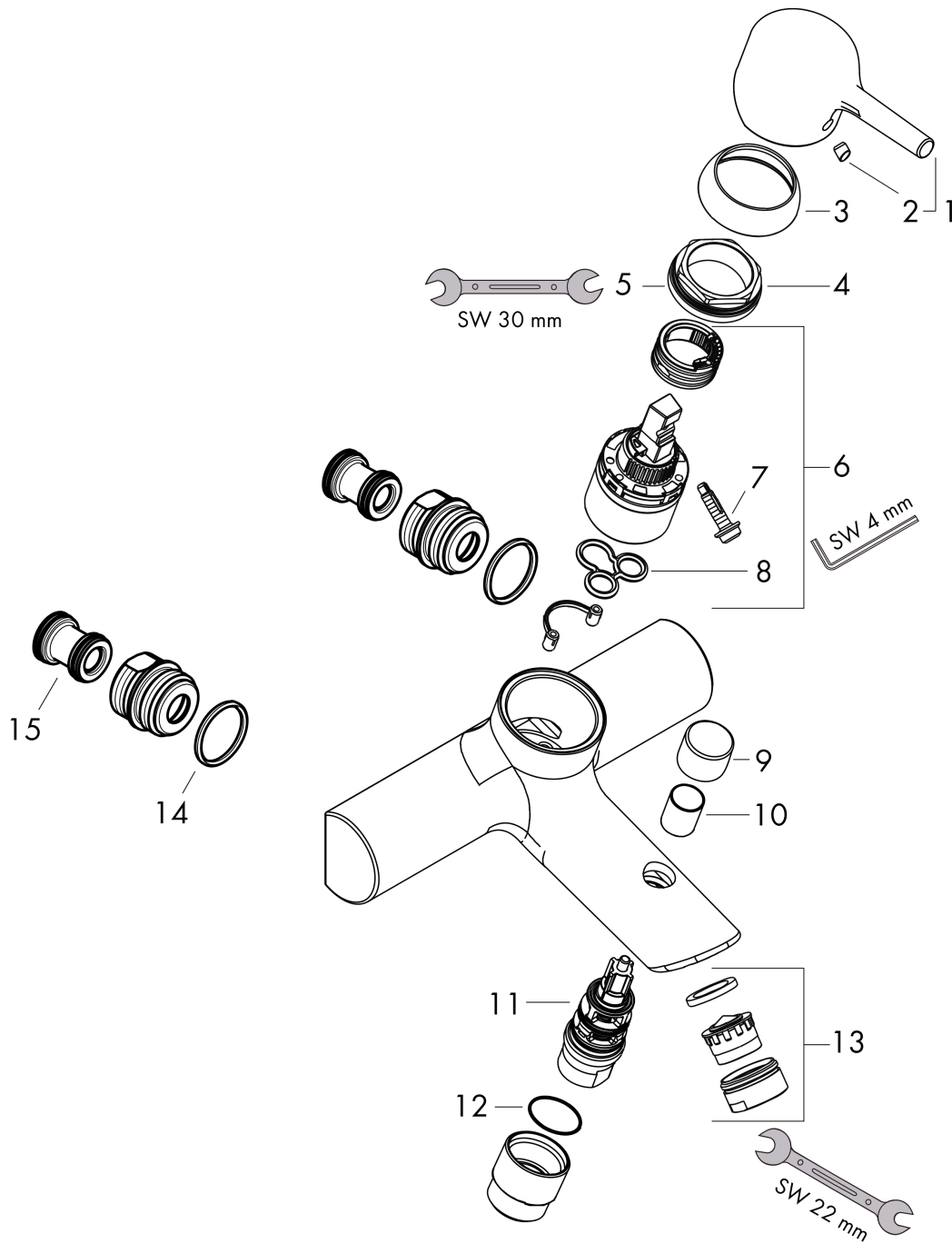
**Single lever bath mixer for exposed installation with centre distance 15.3 cm**

Surfaces: **Chrome** Article Number: **72401000**



**Exploded Drawing**

Year of production: >05/20



**Talis S****Single lever bath mixer for exposed installation with centre distance 15.3 cm**Surfaces: **Chrome** Article Number: **72401000****Spare part list**

Year of production: &gt;05/20

Pos.	Description	Article Number	Price	PU
1	handle	92644000	-	1
2	screw cover	96338000	-	1
3	flange	97406000	-	1
4	nut	97209000	-	1
5	O-Ring 32x2	98193000	-	1
6	cartridge, assy	92730000	-	1
7	locking screw for handle	95140000	-	1
8	seal	95008000	-	1
9	diverter knob	97981000	-	1
10	sleeve	97979000	-	1
11	selector	97978000	-	1
12	O-Ring 14x2,5	98189000	-	1
13	aerator M24x1 (30 l/min)	96512000	-	1
14	O-ring 23x2	98398000	-	1
15	noise reduction	96429000	-	1