

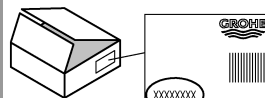
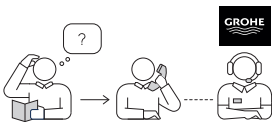
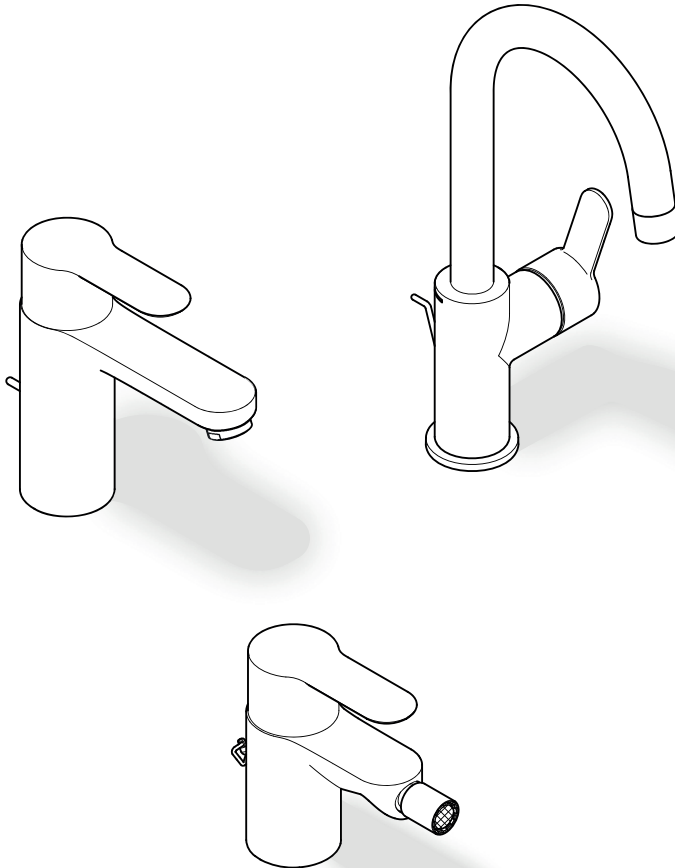
DESIGN + ENGINEERING
GROHE GERMANY

99.1416.131/ÄM 250236/01.22

www.grohe.com

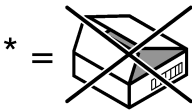
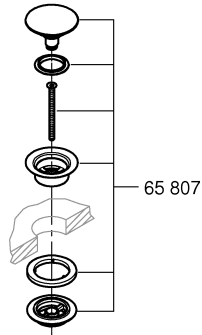
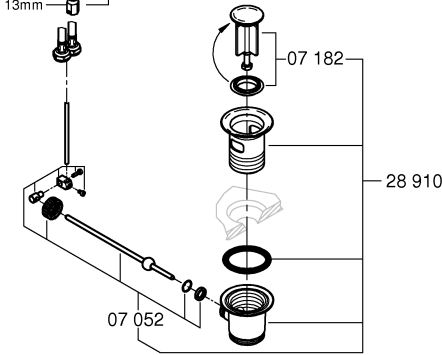
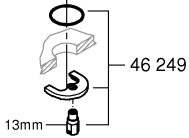
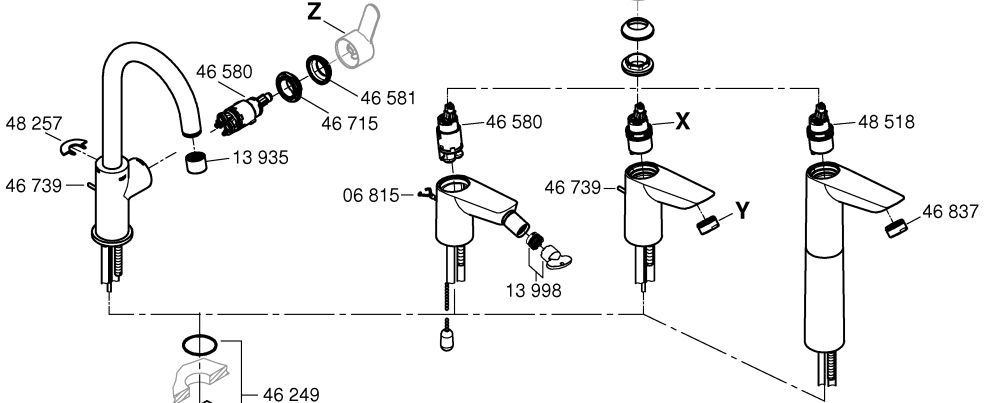
Pure Freude
an Wasser

GROHE
WAVES






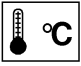

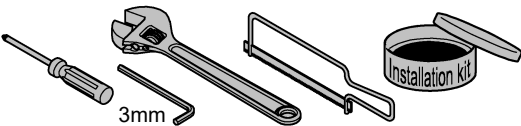






		Eco
X	48 518	48 533
Y	48 159	42 604



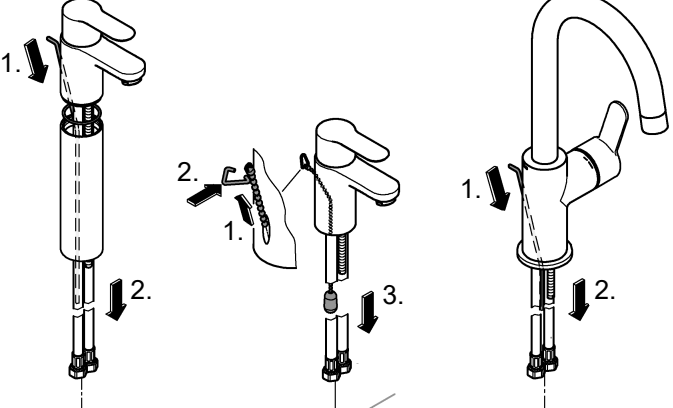
*19 017	13mm		07 052 180mm
			*07 341 350mm

i

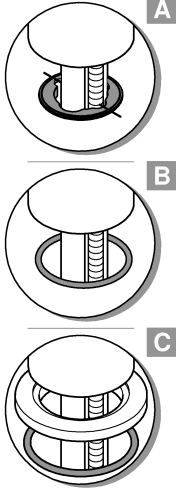
	DIN EN 806 DIN EN 1717 DIN 1988		 bar	
			0,5 max. 10 thumbs up 5 1	max. 70° thumbs up 60°
			 13mm	*19 332
	3mm		*19 017	 32mm




1



1. 2. 3.

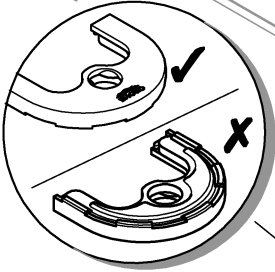


A B C



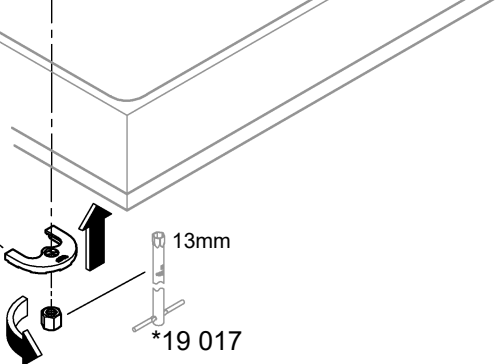
A / B / C

2



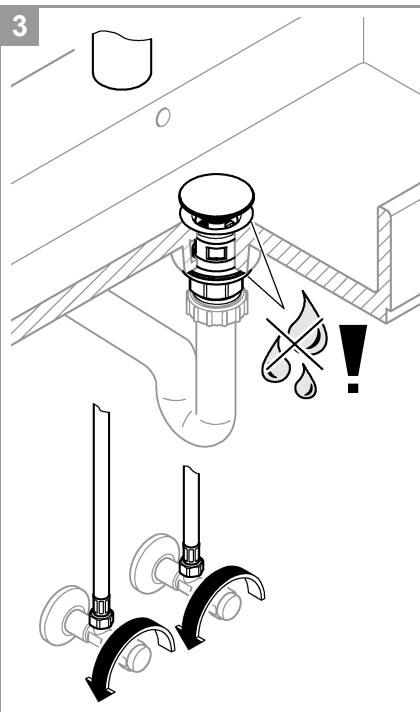
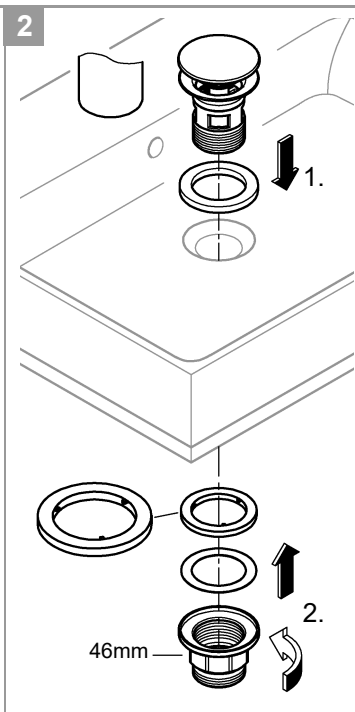
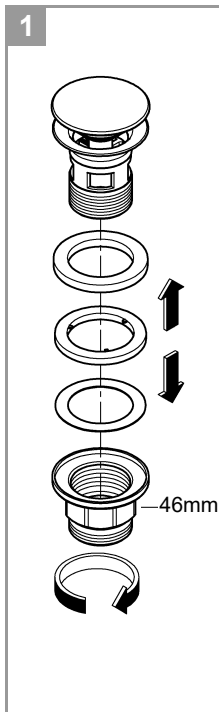
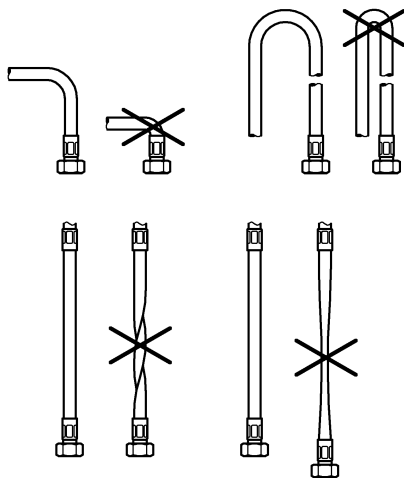
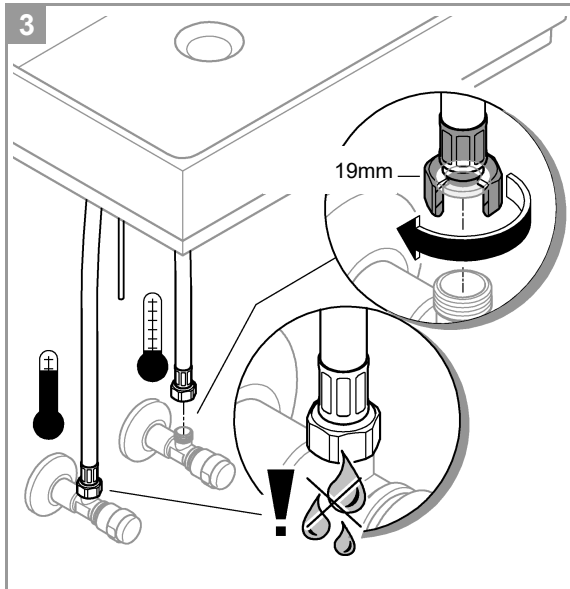
✓

✗



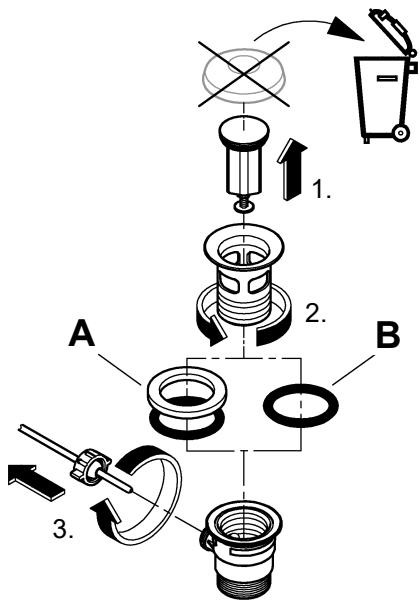
13mm

*19 017

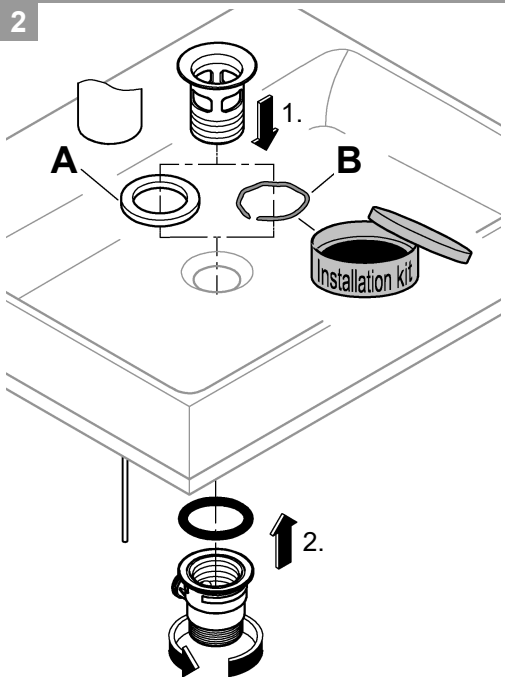




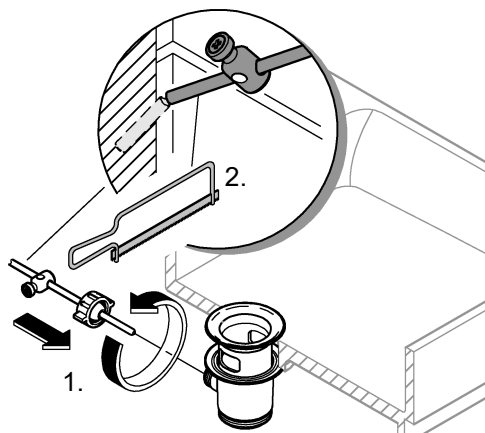
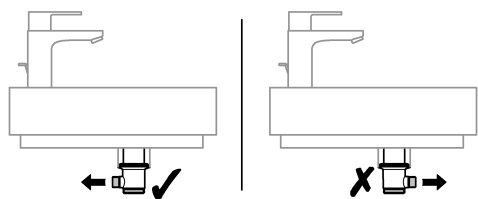
1



2



3



4

