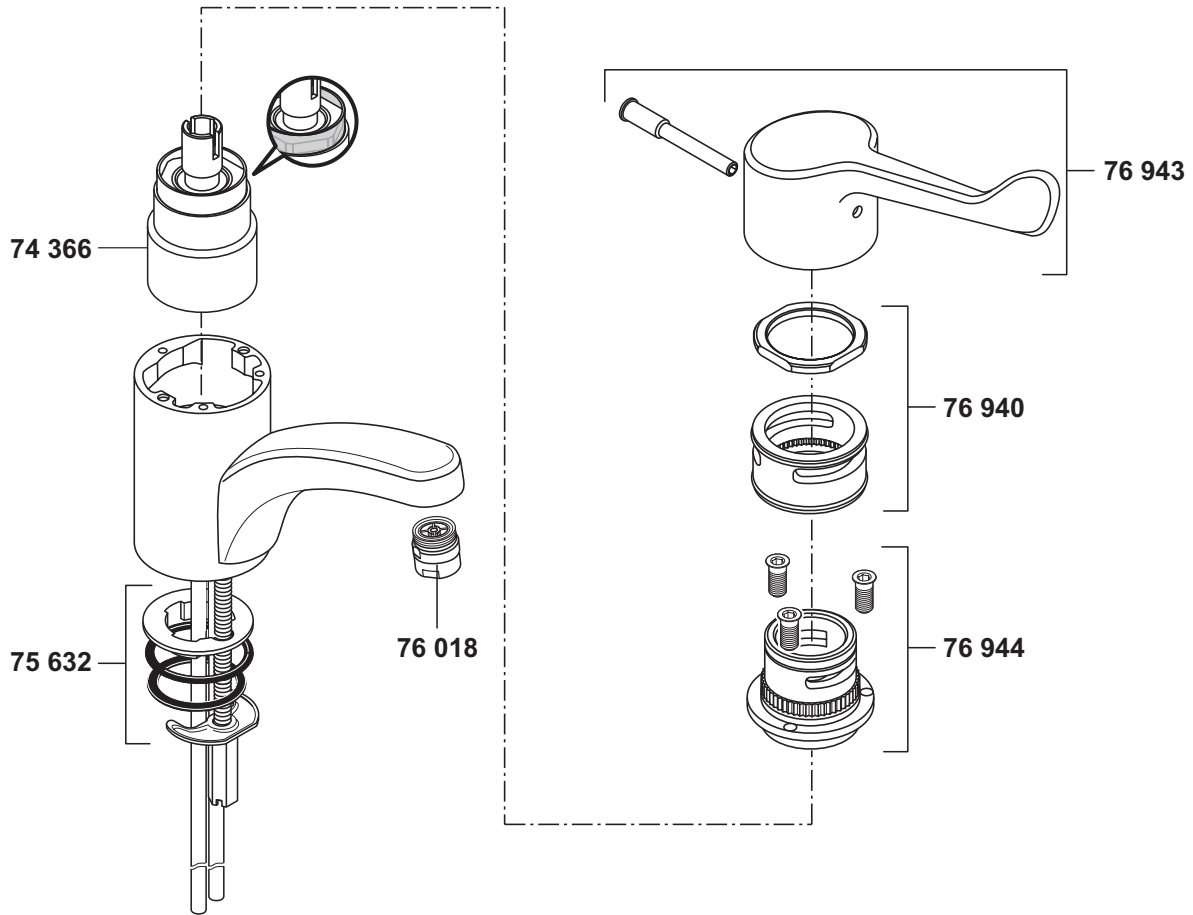


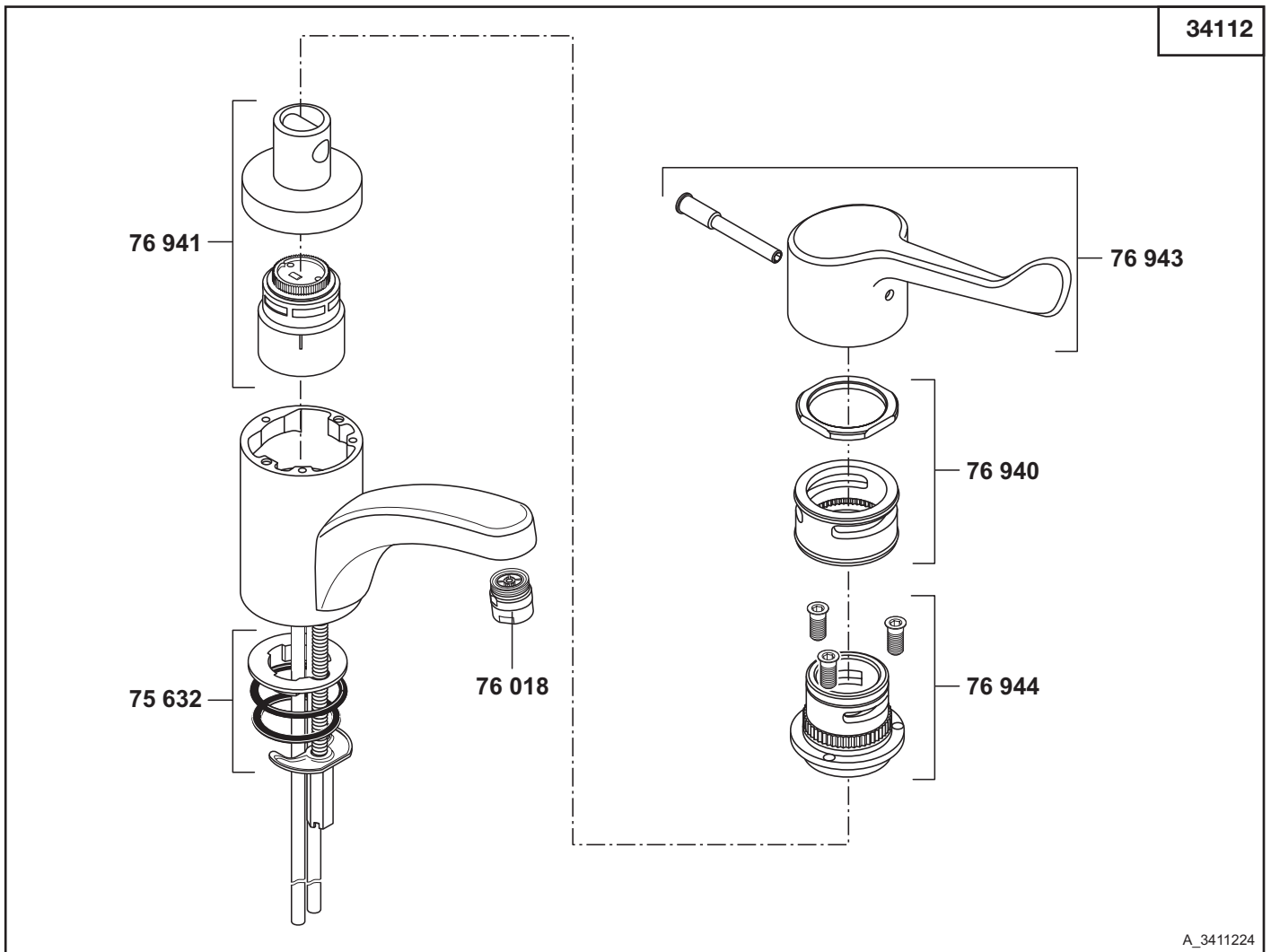
KLUDI MEDI-CARE

34112



A_341122A

34112	03/06 → Waschtisch-Einhandmischer DN 8	single lever basin mixer DN 8	ééngreeps wastafelmengkraan
74 366	Kartusche, KLUDI MEDI-CARE	cartridge, KLUDI MEDI-CARE	cartouche, KLUDI MEDI-CARE
75 632	Befestigungssatz	assembling set	bevestigingsset
76 018	Care-Strahlregler	care flow straightener	Care-mondstuk
76 940	Desinfektionskranz	disinfecting rim	desinfectiering
76 943	KLUDI MEDI-CARE, Klinik-Armhebel	KLUDI MEDI-CARE, arm lever for hospital purpose	KLUDI MEDI-CARE, lange hendel
76 944	Spannhülse	fastening cap	spanhuls



34112	Waschtisch-Einhandmischer DN 8	single lever basin mixer DN 8	ééngreeps wastafelmengkraan
	75 632 Befestigungssatz	assembling set	bevestigingsset
	76 018 Care-Strahlregler	Care flow straightener	Care-mondstuk
	76 940 Desinfektionskranz	disinfecting rim	desinfectiering
	76 941 Kartusche, KLUDI MEDI-CARE	cartridge, KLUDI MEDI-CARE	cartouche, KLUDI MEDI-CARE
	76 943 KLUDI MEDI-CARE, Klinik-Armhebel	KLUDI MEDI-CARE, arm lever for hospital purpose	KLUDI MEDI-CARE, lange hendel
	76 944 Spannhülse	fastening cap	spanhuls