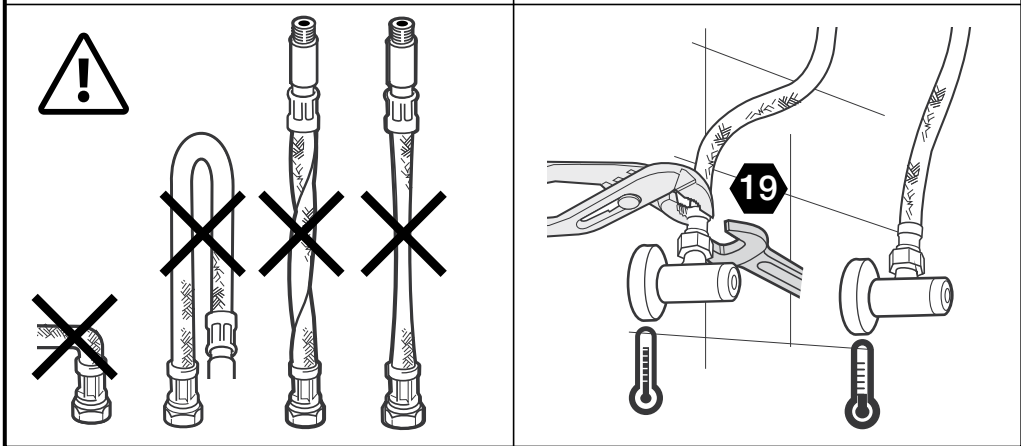
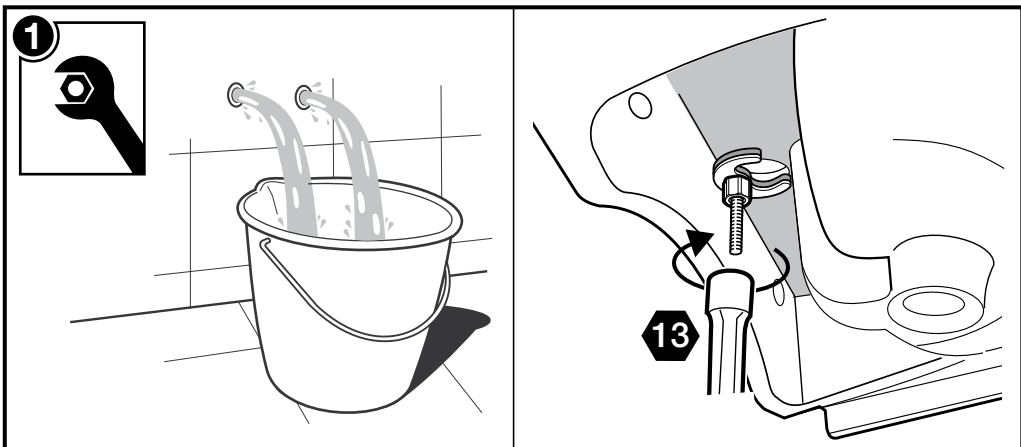















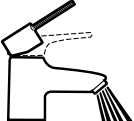
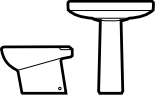
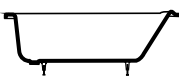


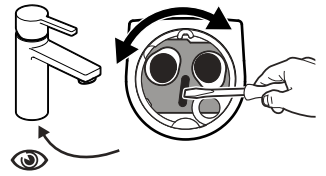
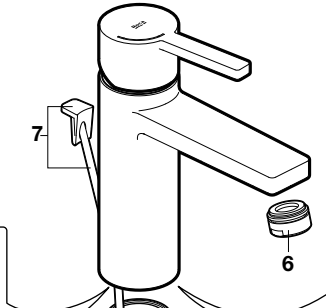
Roca

NAIA





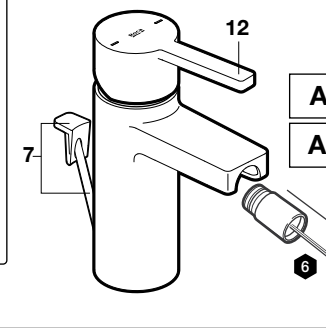
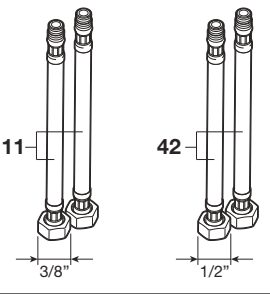
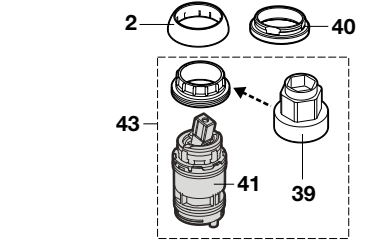
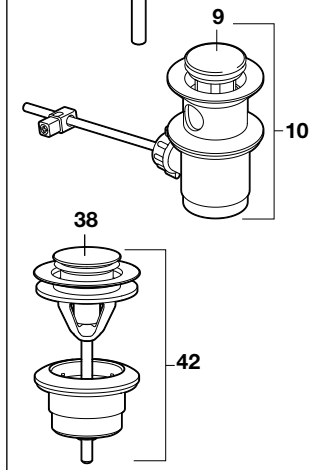
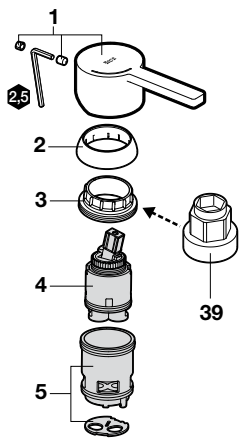
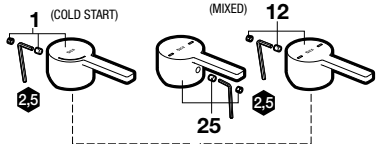
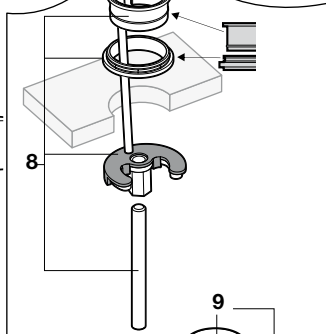
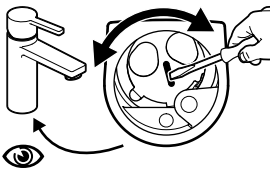
 P 	P bar	 MAX 10	
 P 	P bar	MIN 1  5 MAX	 3 2 
  T	°C	 80 MAX.	 65 50 
 Q (3 bar)	l/min	 5	 20



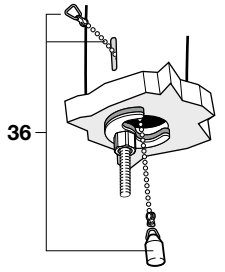
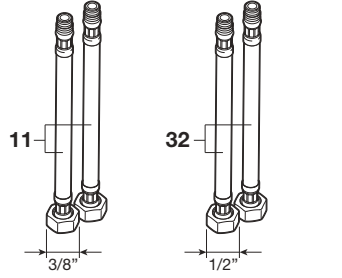
- A5A3096**
- A5A3196**
- A5A3296**
- A5A3A96**

- A5A3096**
- A5A3196**
- A5A3296**
- A5A3A96**

- A5A3096..M**
- A5A3296..M**



- A5A6096**
- A5A6A96**

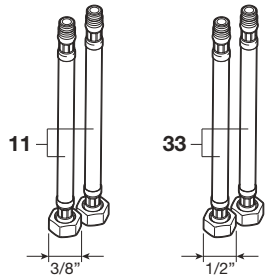
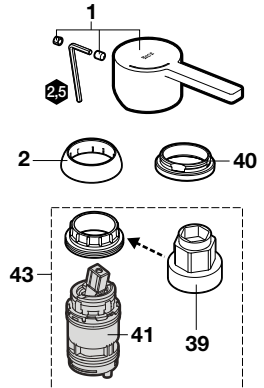
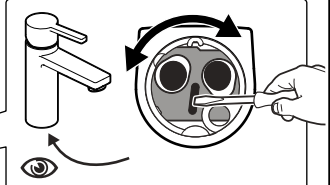
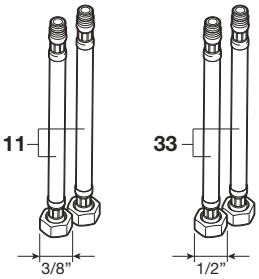
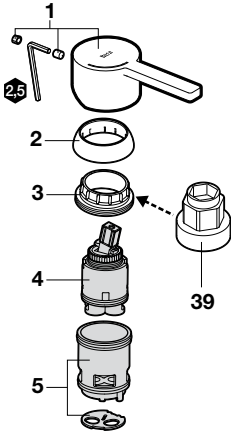
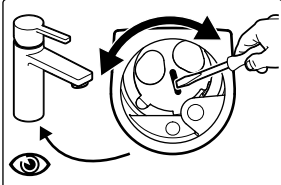
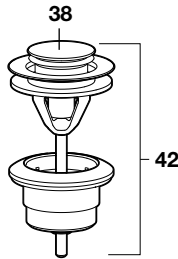
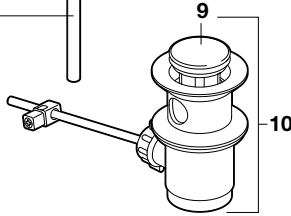
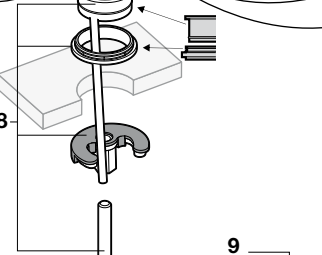
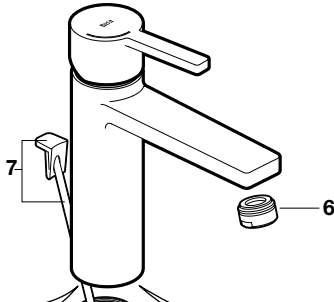


3



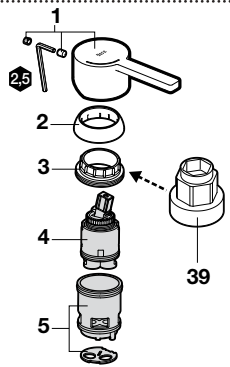
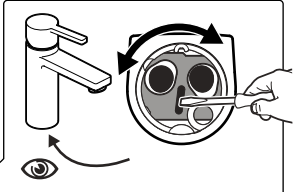
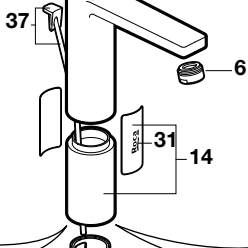
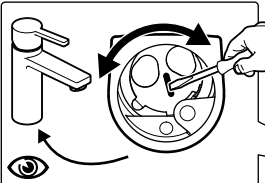
A5A3396

A5A3996

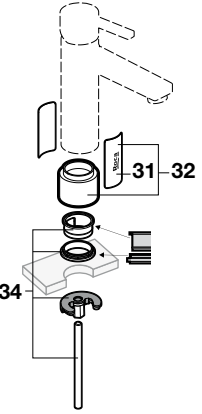




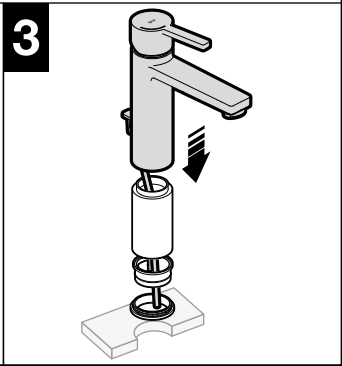
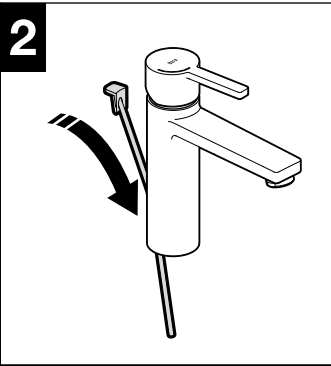
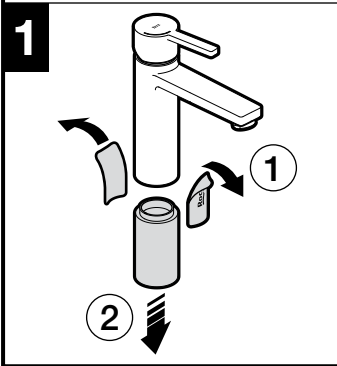
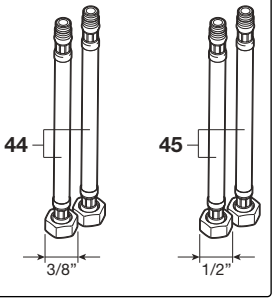
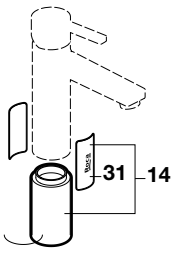
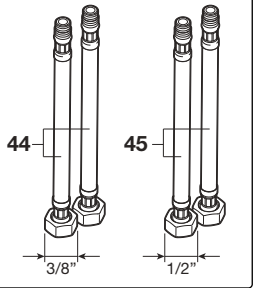
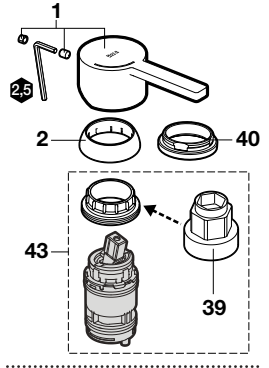
A5A3496



A5A3D96



A5A3796
A5A3B96



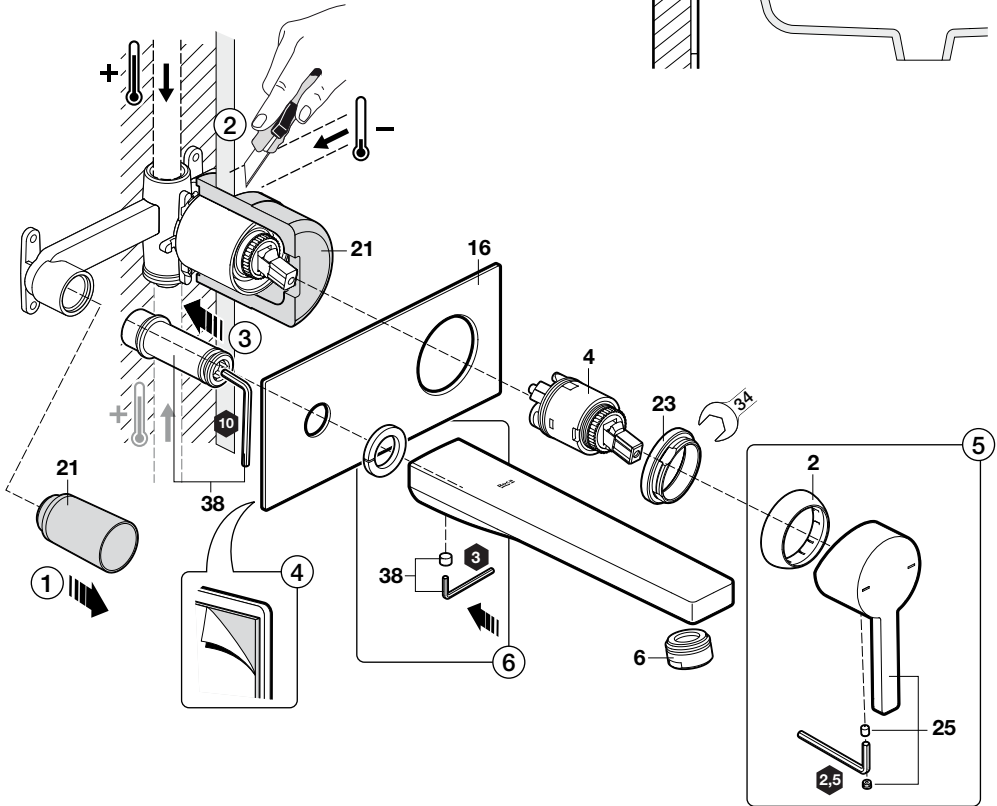
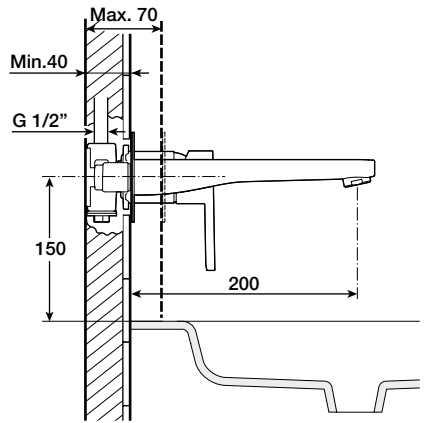
5



A5252206

+

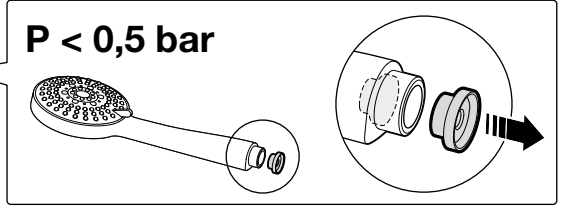
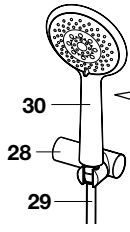
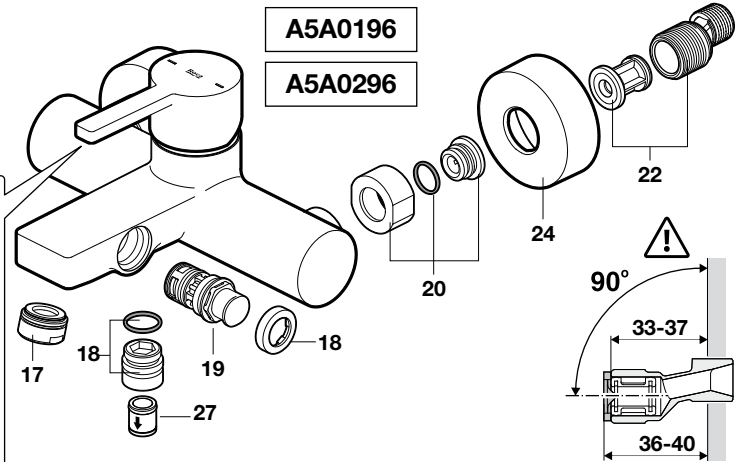
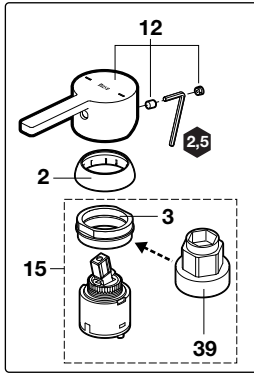
A5A3596





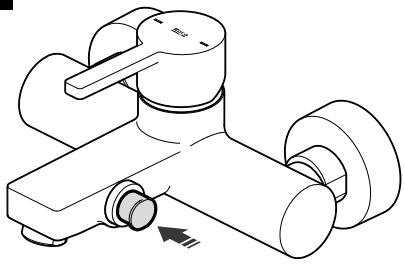
A5A0196

A5A0296



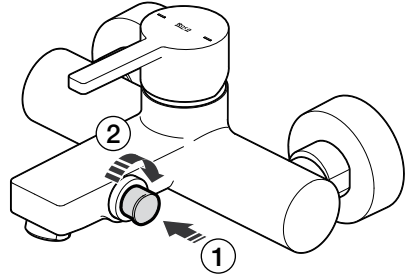
1

P > 0,5 bar

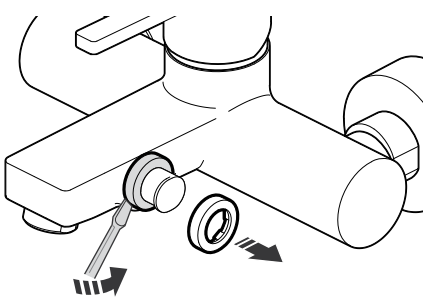


2

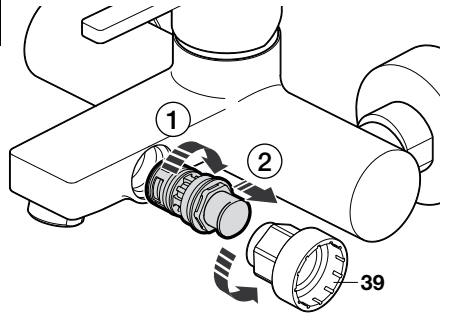
P < 0,5 bar



3



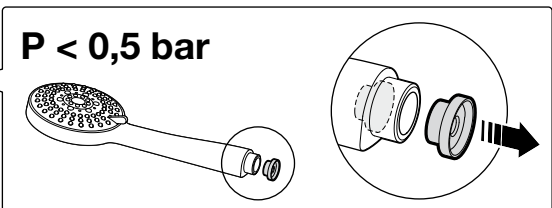
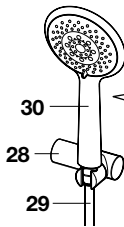
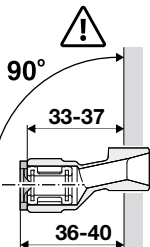
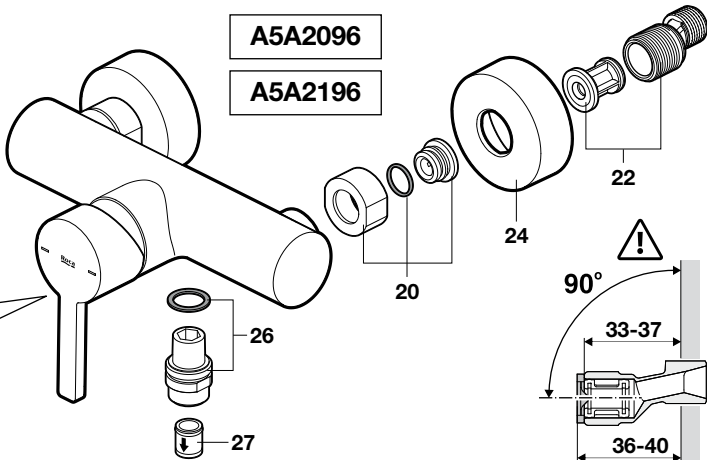
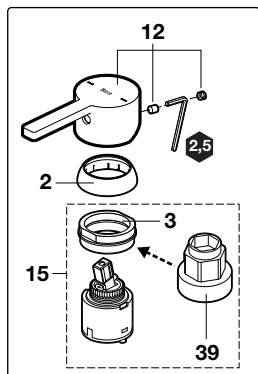
4



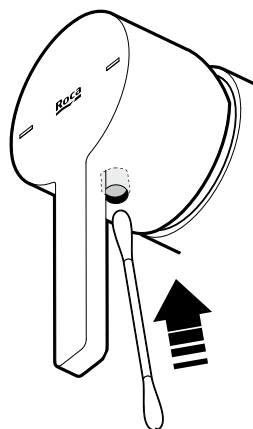


A5A2096

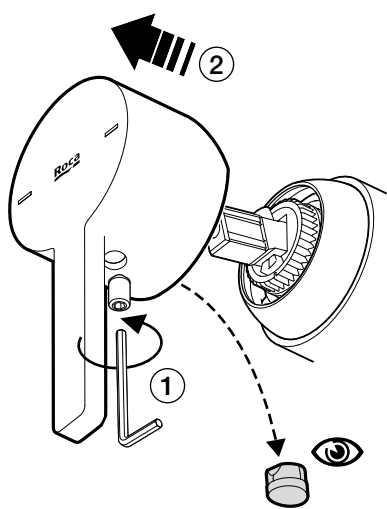
A5A2196



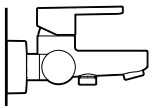
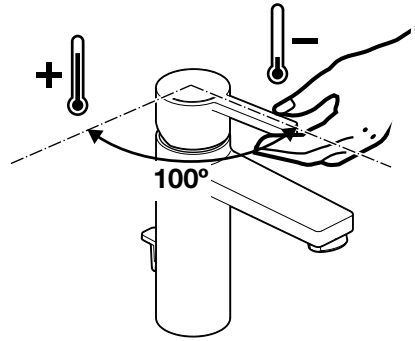
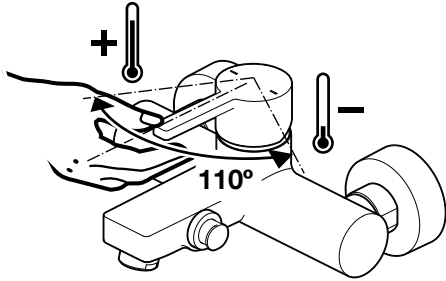
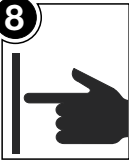
1



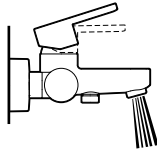
2



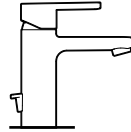
8



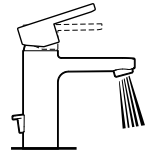
0%



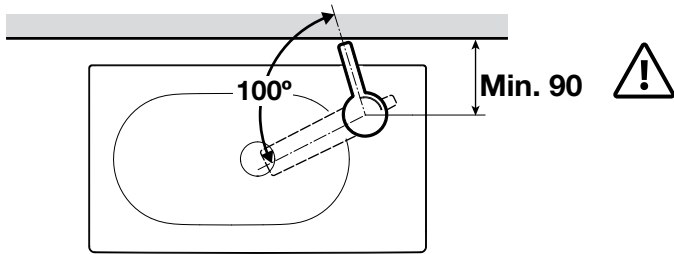
100%



0%



100%



1 - AG01365..R		
2 - AG00853..R		
3 - A525023507		
4 - AG0173300R		
5 - AG0096307R		
6 - AG00466..R		
7 - A525020600		
8 - AG0136603R		
9 - AG0096200R		
10 - AG0075300R		
11 - AG0096409R	L-470	
12 - AG01269..R		
13 - A525003507	CROMO / CHROME	
13 - AG01966..R		
14 - AG01368..R		
15 - AG0110607R		
16 - AG01372..R		
17 - A525003600	CROMO / CHROME	
17 - AG02128..R		
18 - A525024200	CROMO / CHROME	
18 - AG02130..R		
19 - A525023600	CROMO / CHROME	
19 - AG02129..R		
20 - AG02131..R		
21 - AG0001907R		
22 - AG0103908R		
23 - AG0142100R		
24 - AG01168..R		
25 - AG01370..R		
26 - AG00368..R		
27 - A525005507		
28 - AG0003700R		
29 - A525009800		
30 - A5B1B03..0		
31 - AG0117207R		
32 - AG0136700R		
33 - AG0126009R	L-600	
34 - AG0136903R		
35 - AG0033300R		
36 - A525004600		
37 - AG0117300R		
38 - AG0155000R		
39 - A525005407		
40 - AG0163900R		
41 - AG0159300R		
42 - A5054009..		
43 - AG0200700R		
44 - AG0096509R	L-600	
45 - AG0125909R	L-600	

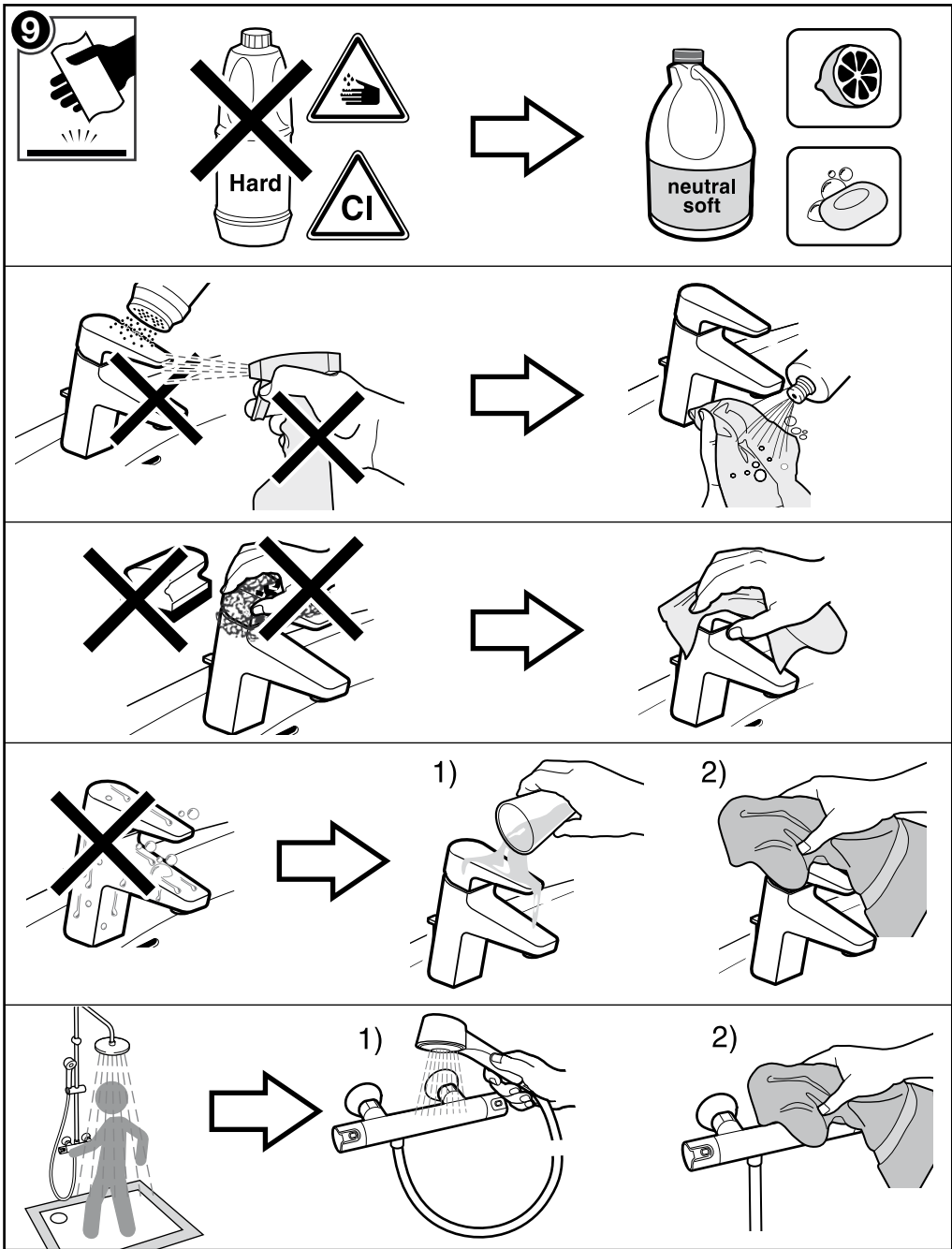
CÓDIGO / CODE

000000 0

ACABADO / FINISH



www.roca.net



AS23097 407p



Roca Sanitario, S.A.
 Avda. Diagonal, 513
 08029 Barcelona
 SPAIN
 www.roca.com

933 LÍNEA DE ATENCIÓN
661 AL CONSUMIDOR
266 ESPAÑA
 SERVICIO TÉCNICO
 ESPAÑA



productsupport.rs@roca.net
 soporteproducto.rs@roca.net