

Technische Daten/ Technical Data

KLUDI NOVA FONTE
 single lever basin mixer 100
 DN 15
 STYLE: PURA

Ref.:
 202880515

Finishes:
 05 chrome

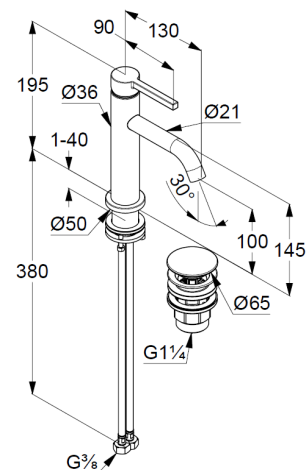
Product description
 Manufacturer KLUDI GmbH & Co. KG
 Typ: KLUDI NOVA FONTE
 single lever basin mixer 100
 Ref.: 202880515

basin mixer
 single lever mixer
 stand assembly
 1-hole mounted
 solid lever, metal
 aerator, S-Pointer M18,5 PCA
 ceramic cartridge
 flow rate at 3 bar 4,5 l/min.
 fixed spout
 flexible hoses G $\frac{3}{8}$ DVGW approved
 shank-fixing
 push open waste G1 $\frac{1}{4}$

Produktabbildung/ Product picture



Maßzeichnung/ Dimensional drawing



Durchfluss/ Flow rate

