

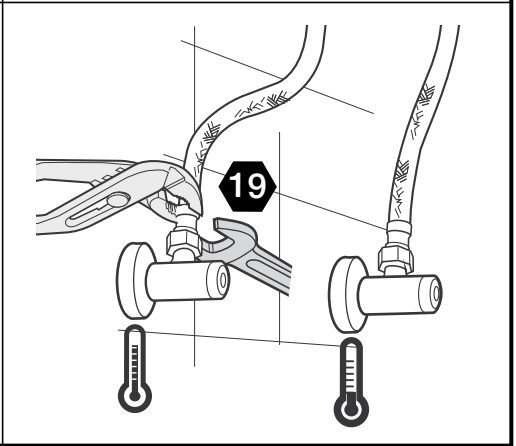
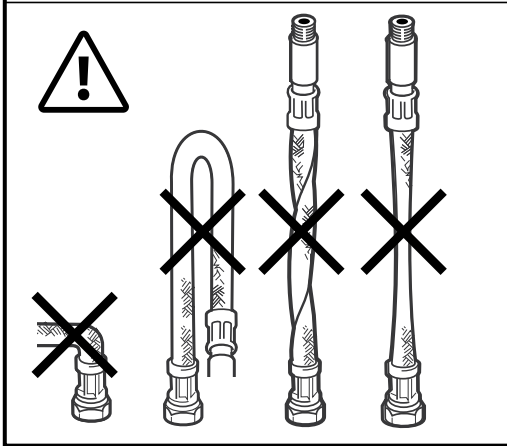
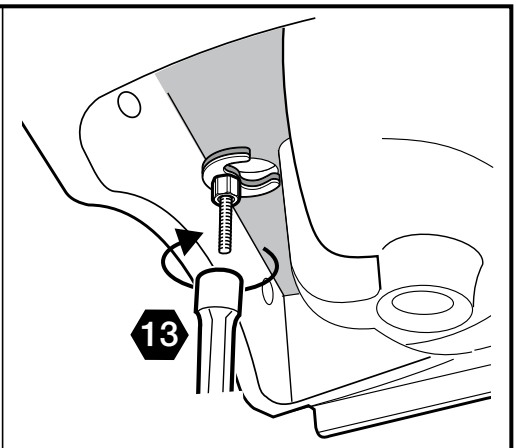
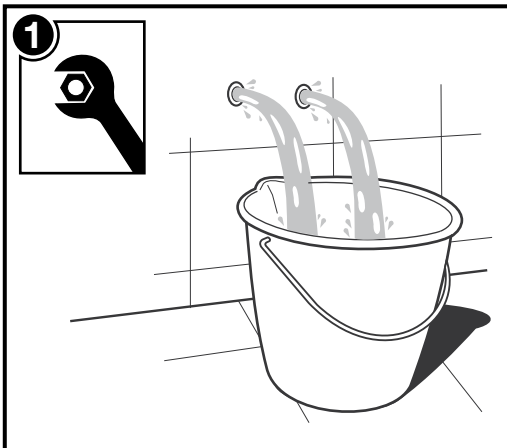


**Roca**

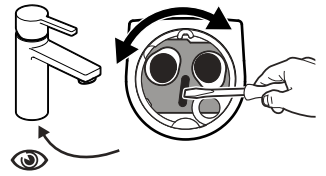
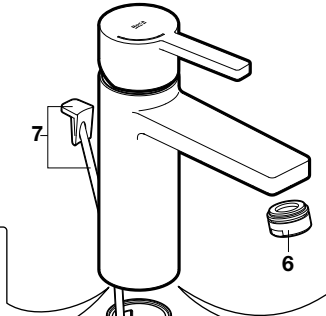
**NAIA**







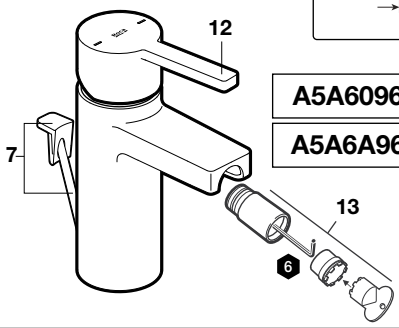
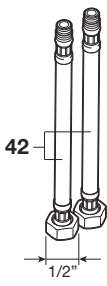
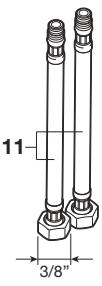
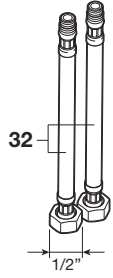
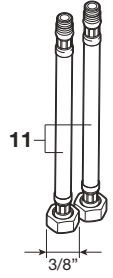
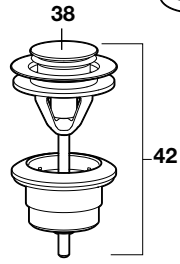
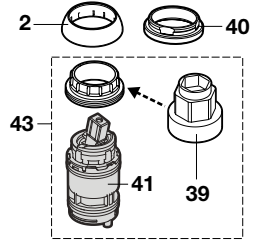
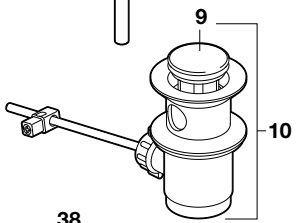
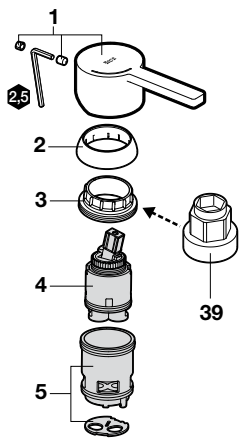
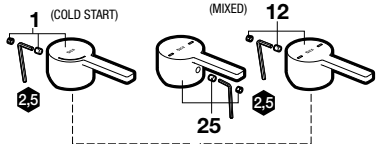
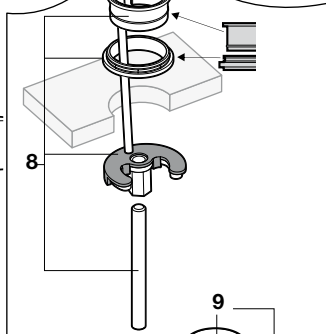
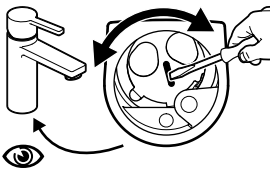
P	P bar	MAX 10	
P	P bar	5 MAX MIN 1	3 2
T	°C	80 MAX.	65 50
Q (3 bar)	l/min	5	20



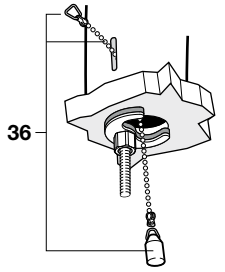
- A5A3096
- A5A3196
- A5A3296
- A5A3A96

- A5A3096
- A5A3196
- A5A3296
- A5A3A96

- A5A3096..M
- A5A3296..M



- A5A6096
- A5A6A96

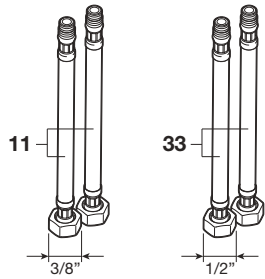
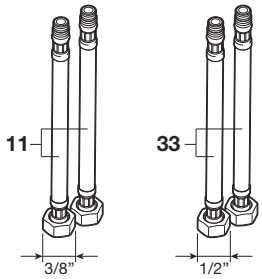
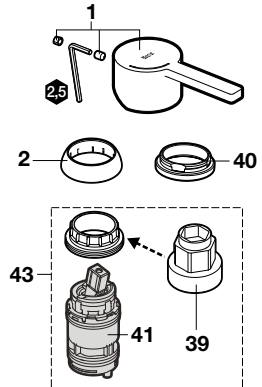
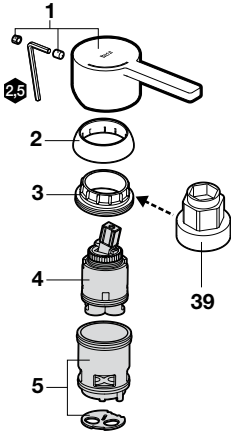
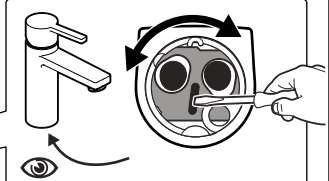
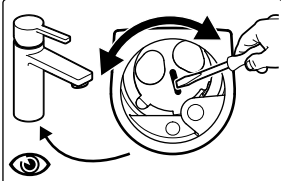
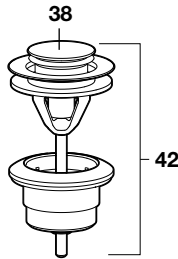
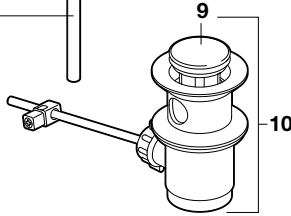
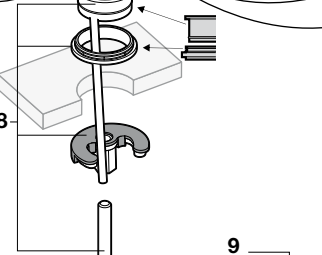
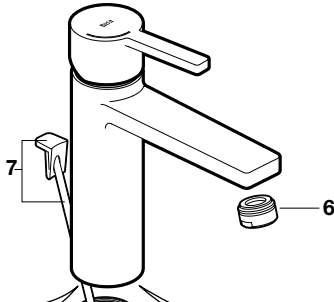


3



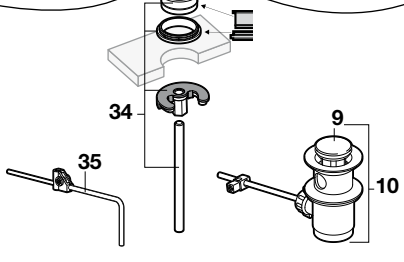
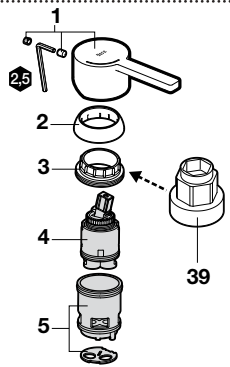
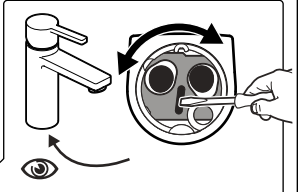
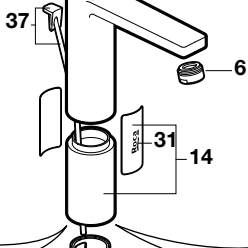
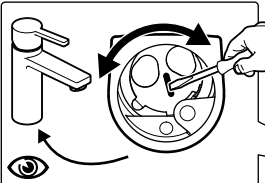
A5A3396

A5A3996

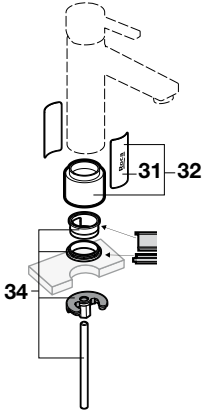
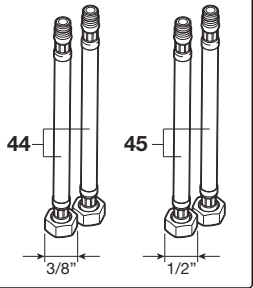
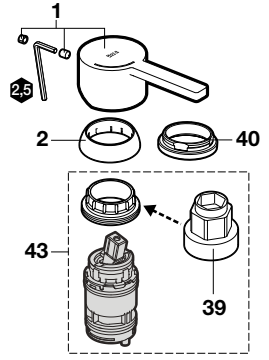




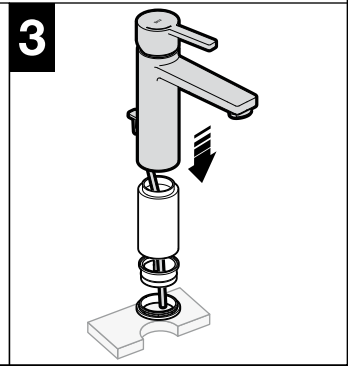
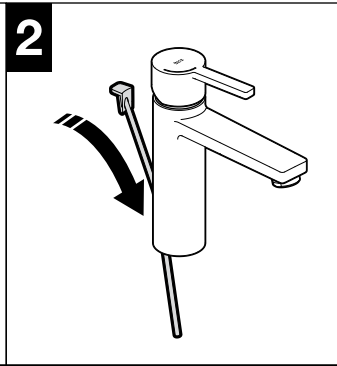
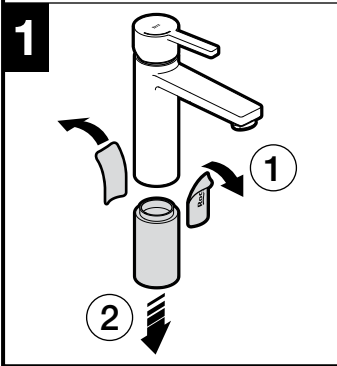
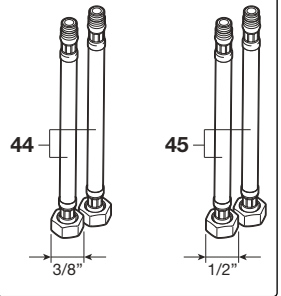
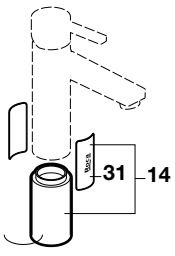
A5A3496



A5A3D96



A5A3796  
A5A3B96

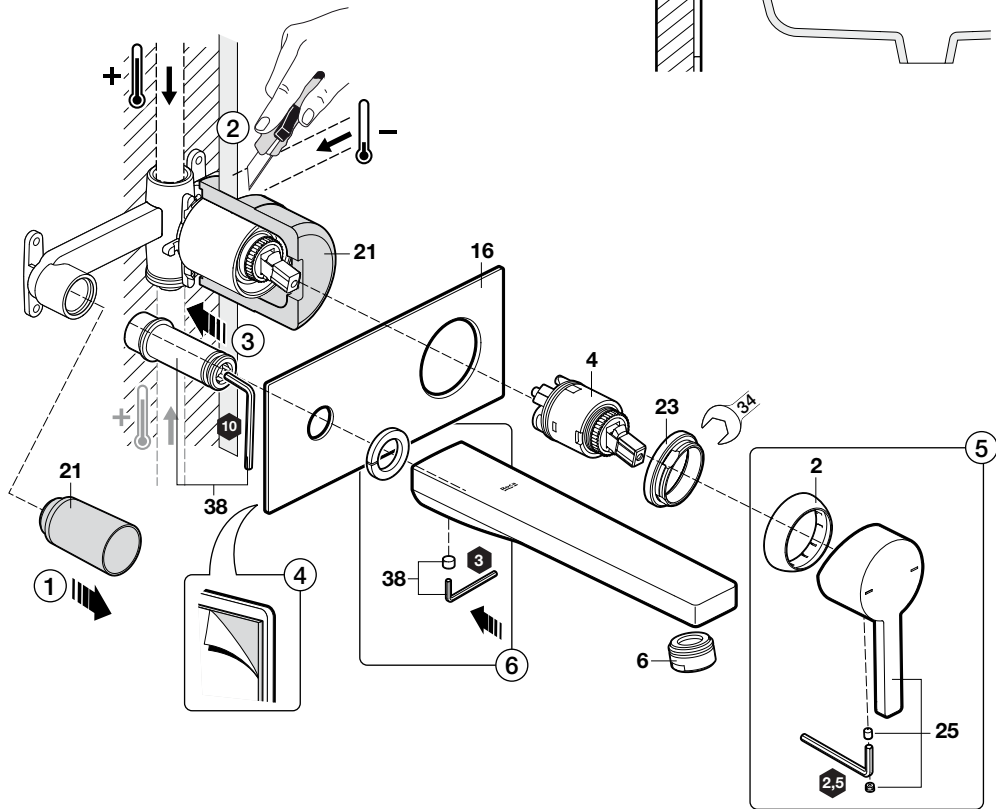
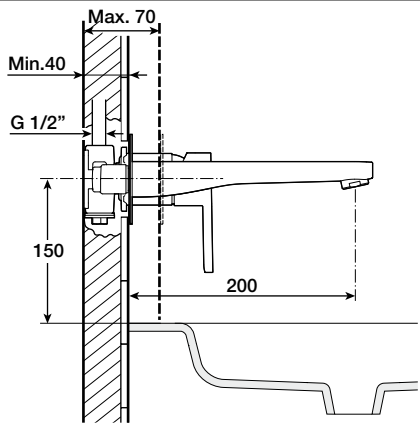




A5252206

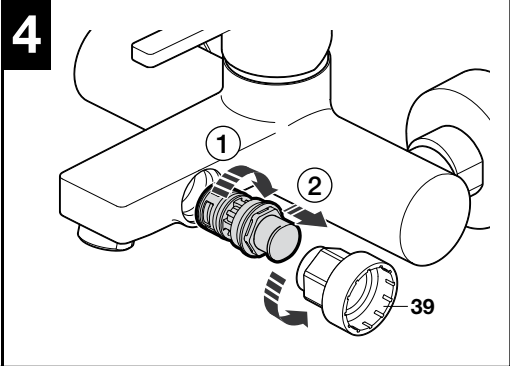
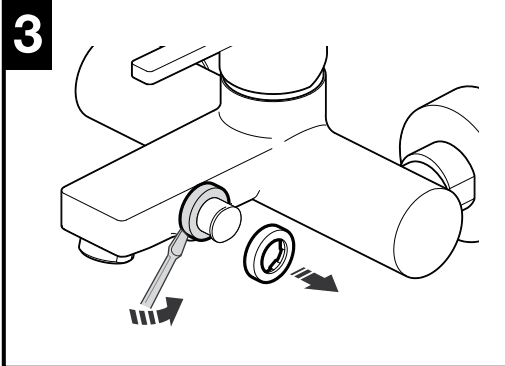
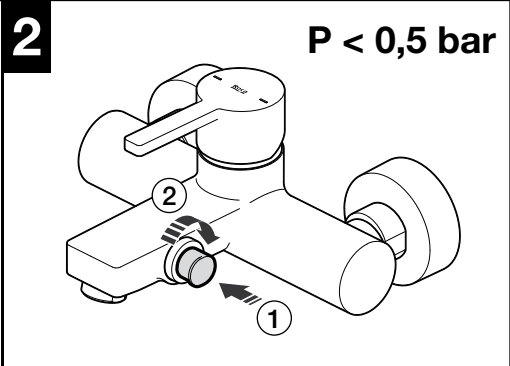
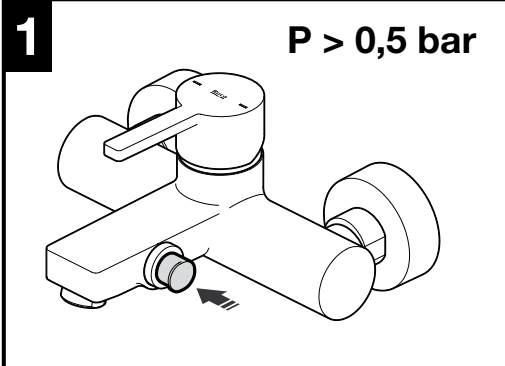
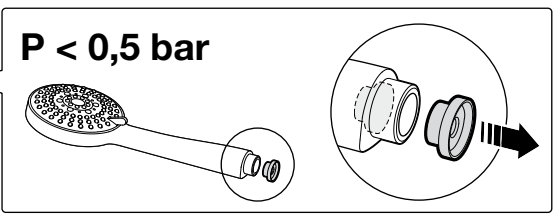
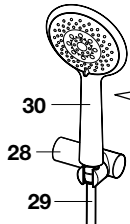
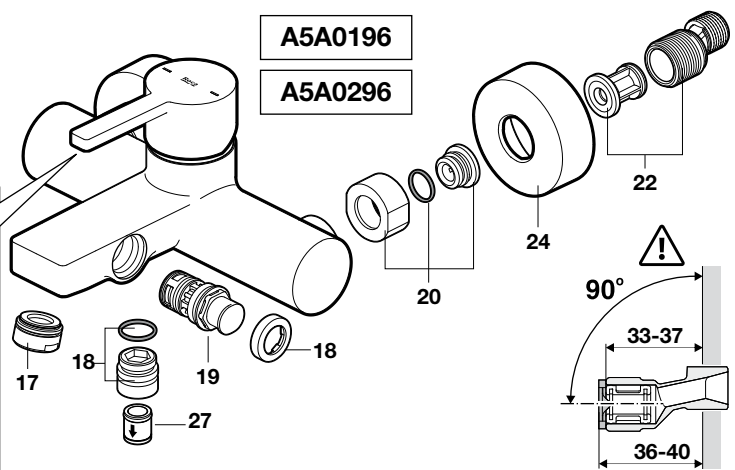
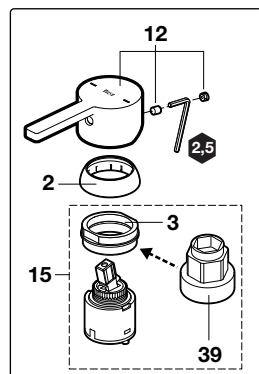
+

A5A3596





A5A0196  
A5A0296

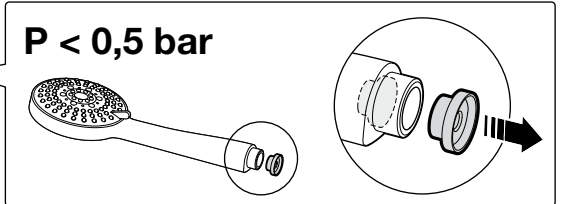
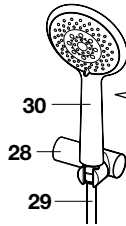
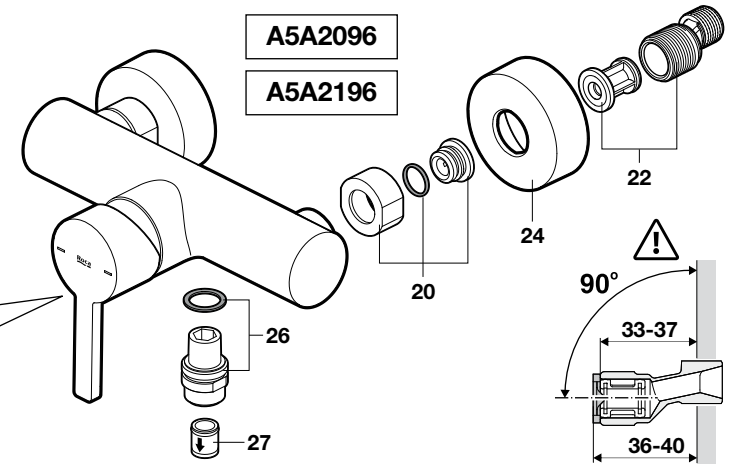
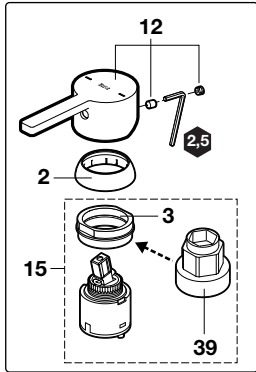




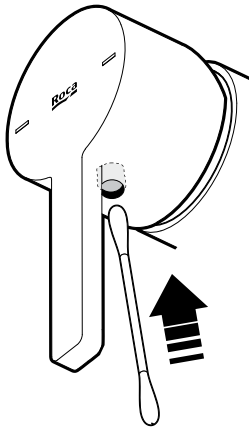


A5A2096

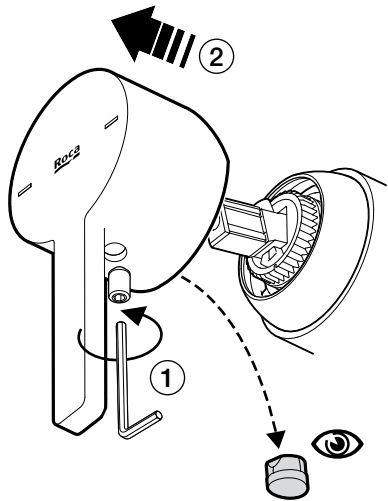
A5A2196



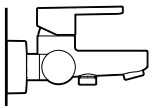
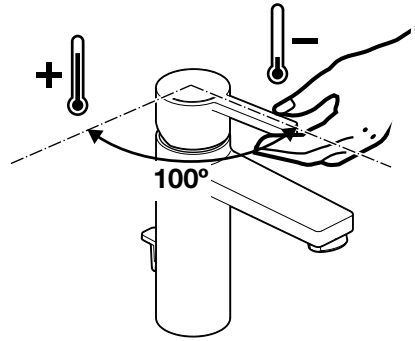
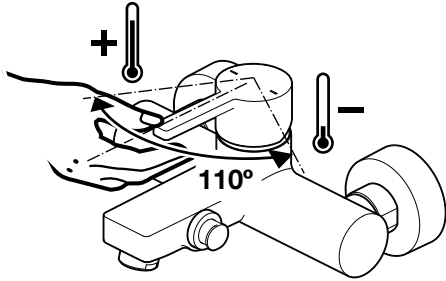
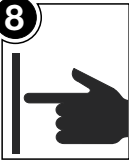
1



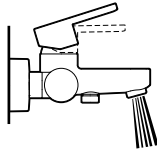
2



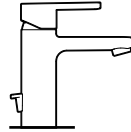
8



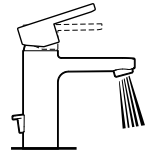
0%



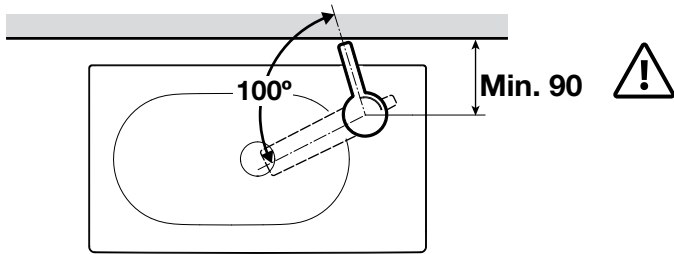
100%



0%



100%



1	-	AG01365..R	
2	-	AG00853..R	
3	-	A525023507	
4	-	AG0173300R	
5	-	AG0096307R	
6	-	AG00466..R	
7	-	A525020600	
8	-	AG0136603R	
9	-	AG0096200R	
10	-	AG0075300R	
11	-	AG0096409R	L-470
12	-	AG01269..R	
13	-	A525003507	CROMO / CHROME
	-	AG01966..R	
14	-	AG01368..R	
15	-	AG0110607R	

16	-	AG01372..R	
17	-	A525003600	CROMO / CHROME
		AG02128..R	
18	-	A525024200	CROMO / CHROME
	-	AG02130..R	
19	-	A525023600	CROMO / CHROME
	-	AG02129..R	
20	-	AG02131..R	
21	-	AG0001907R	
22	-	AG0103908R	
23	-	AG0142100R	
24	-	AG01168..R	
25	-	AG01370..R	
26	-	AG00368..R	
27	-	A525005507	
28	-	AG0003700R	

29	-	A525009800	
30	-	A5B1B03..0	
31	-	AG0117207R	
32	-	AG0136700R	
33	-	AG0126009R	L-600
34	-	AG0136903R	
35	-	AG0033300R	
36	-	A525004600	
37	-	AG0117300R	
38	-	AG0155000R	
39	-	A525005407	
40	-	AG0163900R	
41	-	AG0159300R	
42	-	A5054009..	
43	-	AG0200700R	
44	-	AG0096509R	L-600
45	-	AG0125909R	L-600

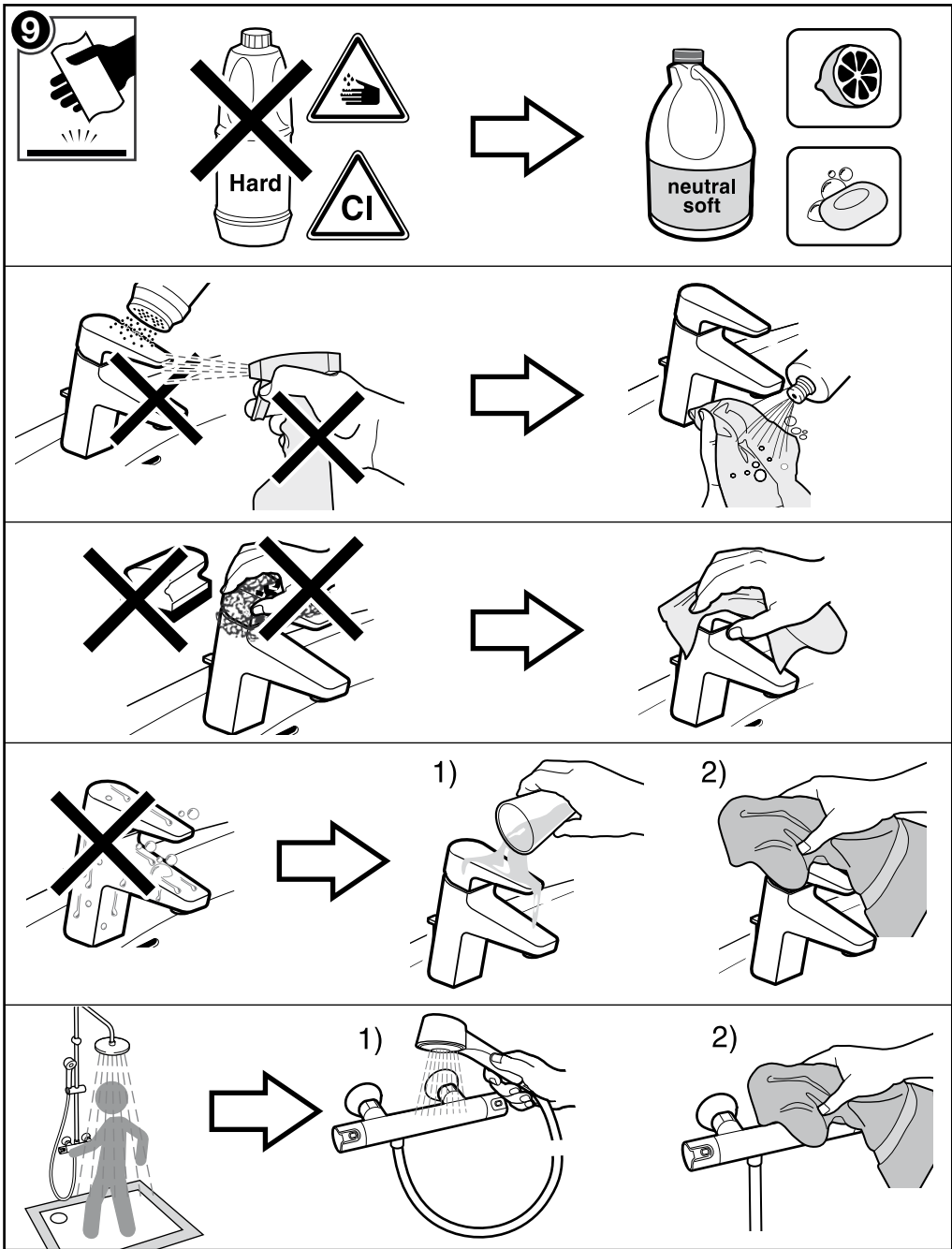
CÓDIGO / CODE

000000 0

ACABADO / FINISH



www.roca.net



AS23087 407p



Roca Sanitario, S.A.  
 Avda. Diagonal, 513  
 08029 Barcelona  
 SPAIN  
 www.roca.com

**933** LÍNEA DE ATENCIÓN  
**661** AL CONSUMIDOR  
**266** ESPAÑA

SERVICIO TÉCNICO  
 ESPAÑA



productsupport.rs@roca.net  
 soporteproducto.rs@roca.net