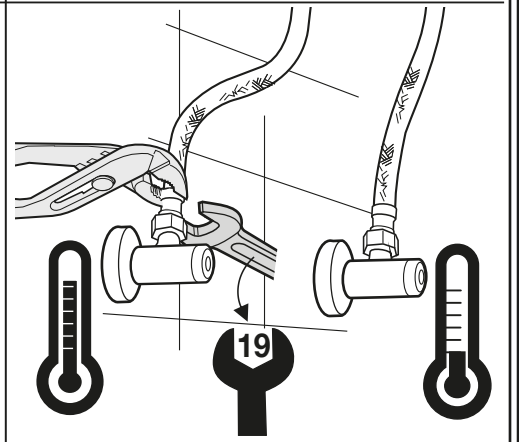
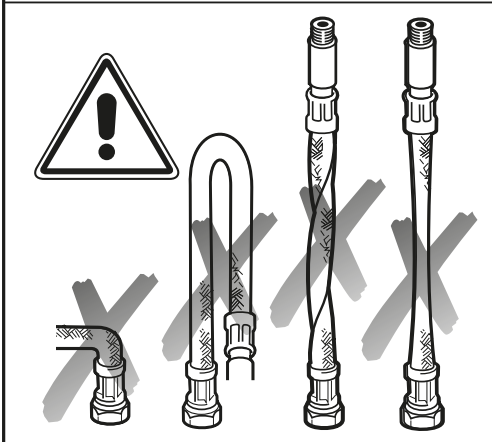
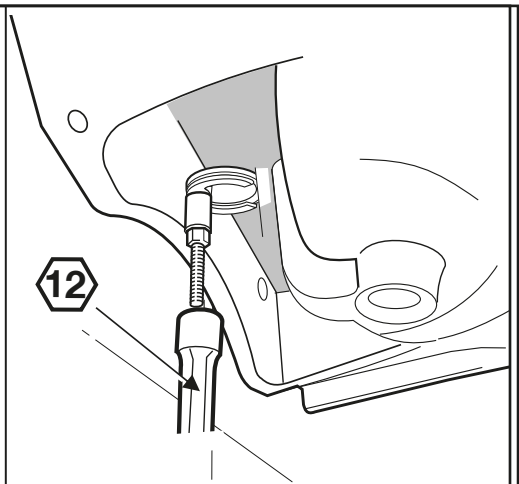
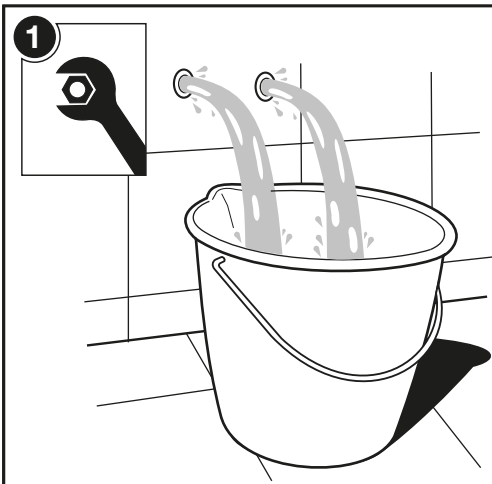





**Roca**


# CARELIA







**P**


P  
bar




0,5



1




80 MAX.



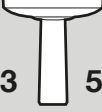
65  
45




**Q**  
(3 bar) l/min



13



5

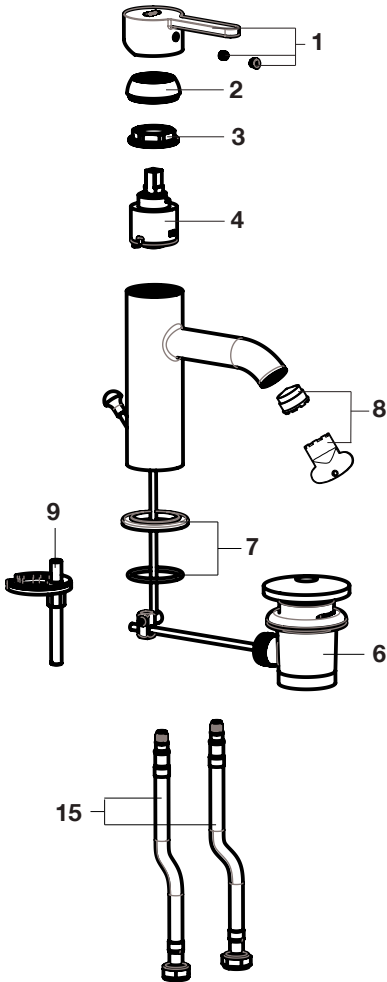


20

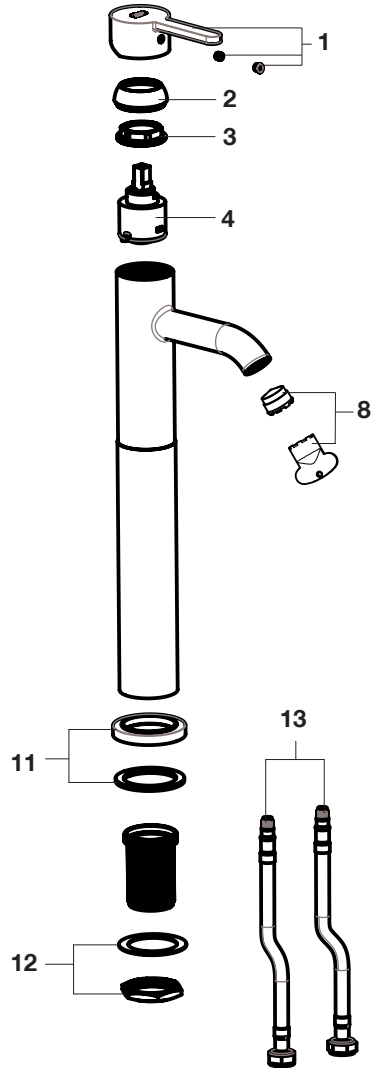
2



A5A308AC0K  
A5A328AC0K



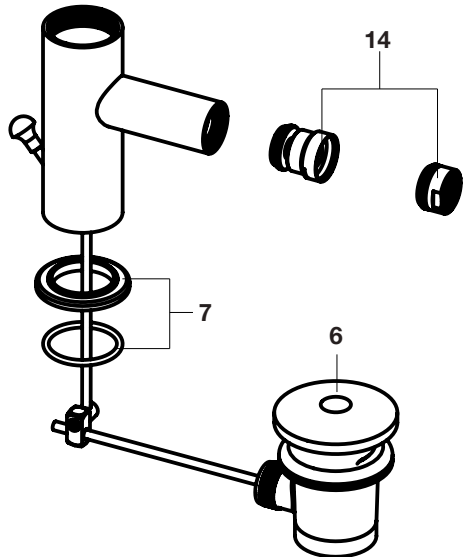
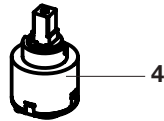
A5A348AC0K



3



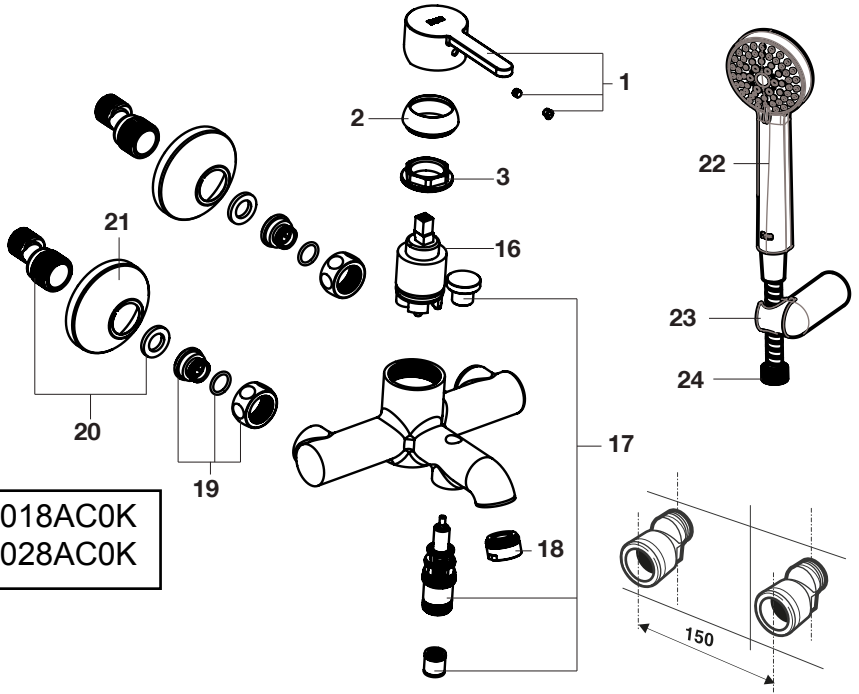
A5A608AC0K



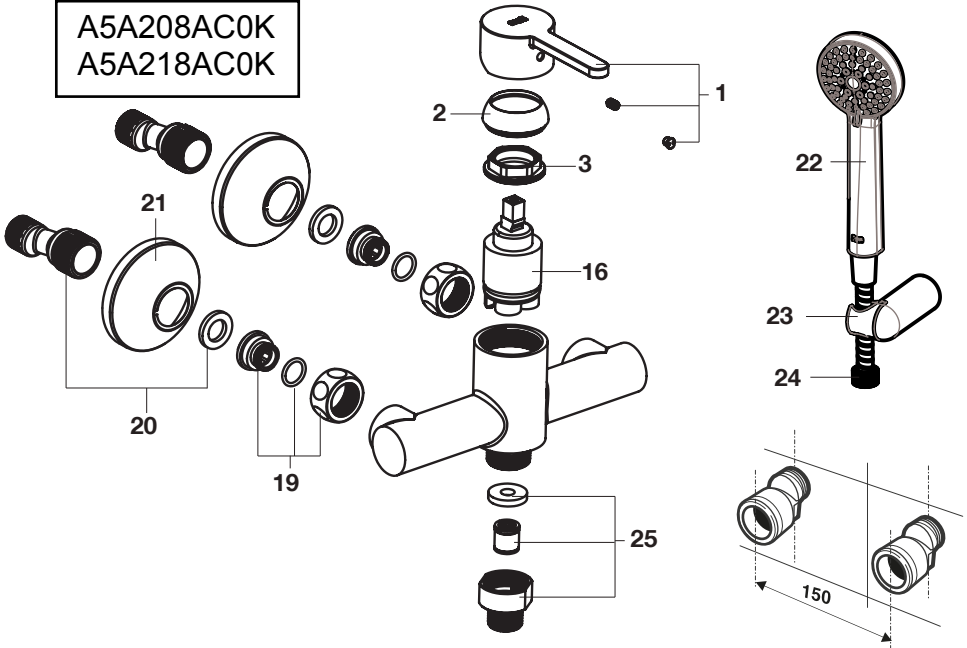
4



A5A018AC0K  
A5A028AC0K



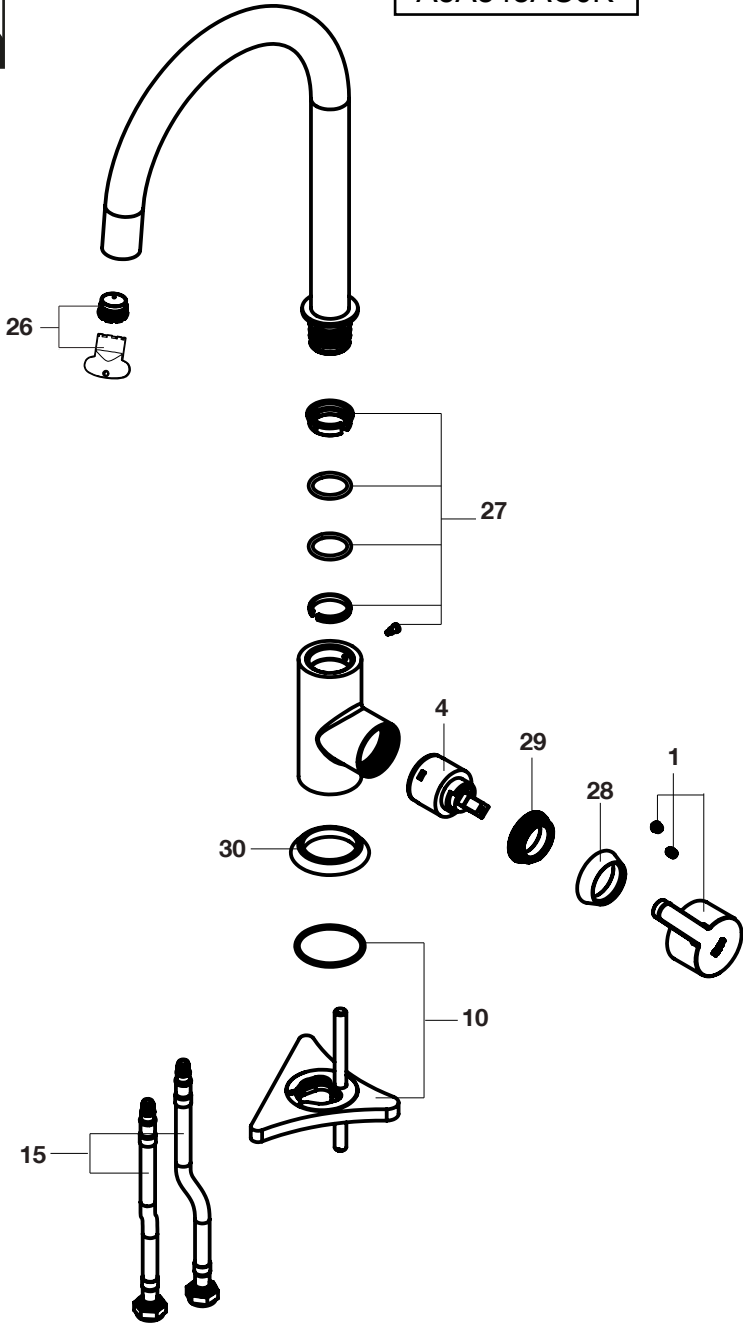
A5A208AC0K  
A5A218AC0K



5



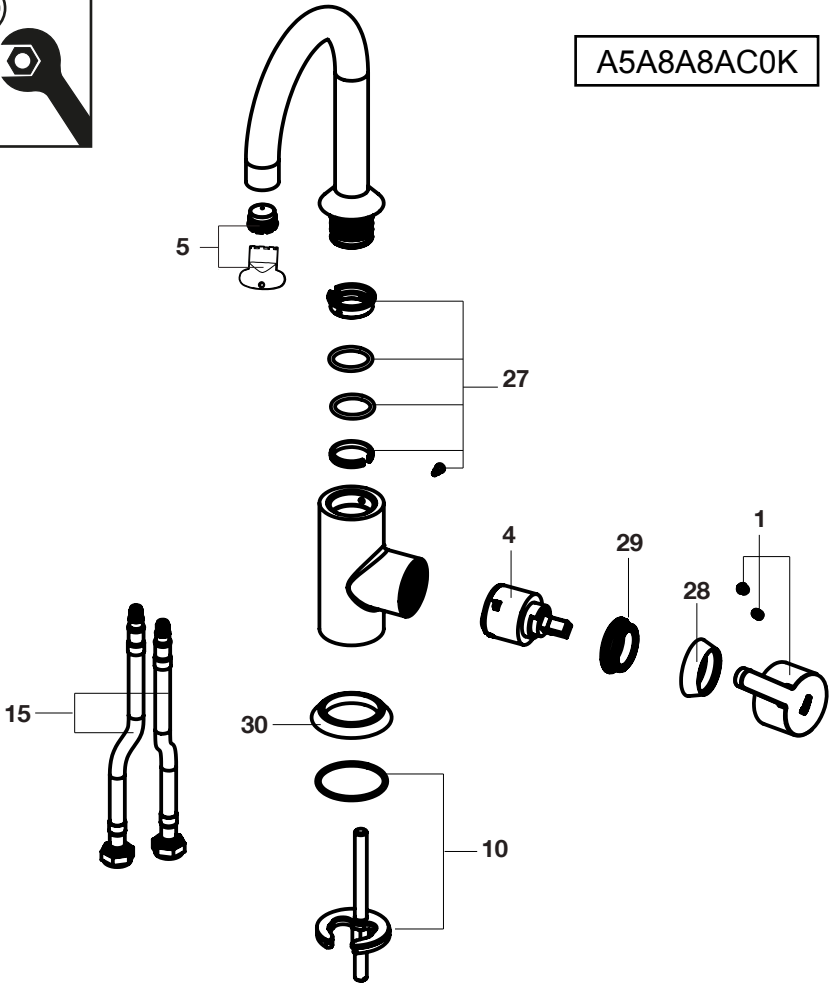
A5A848AC0K



6



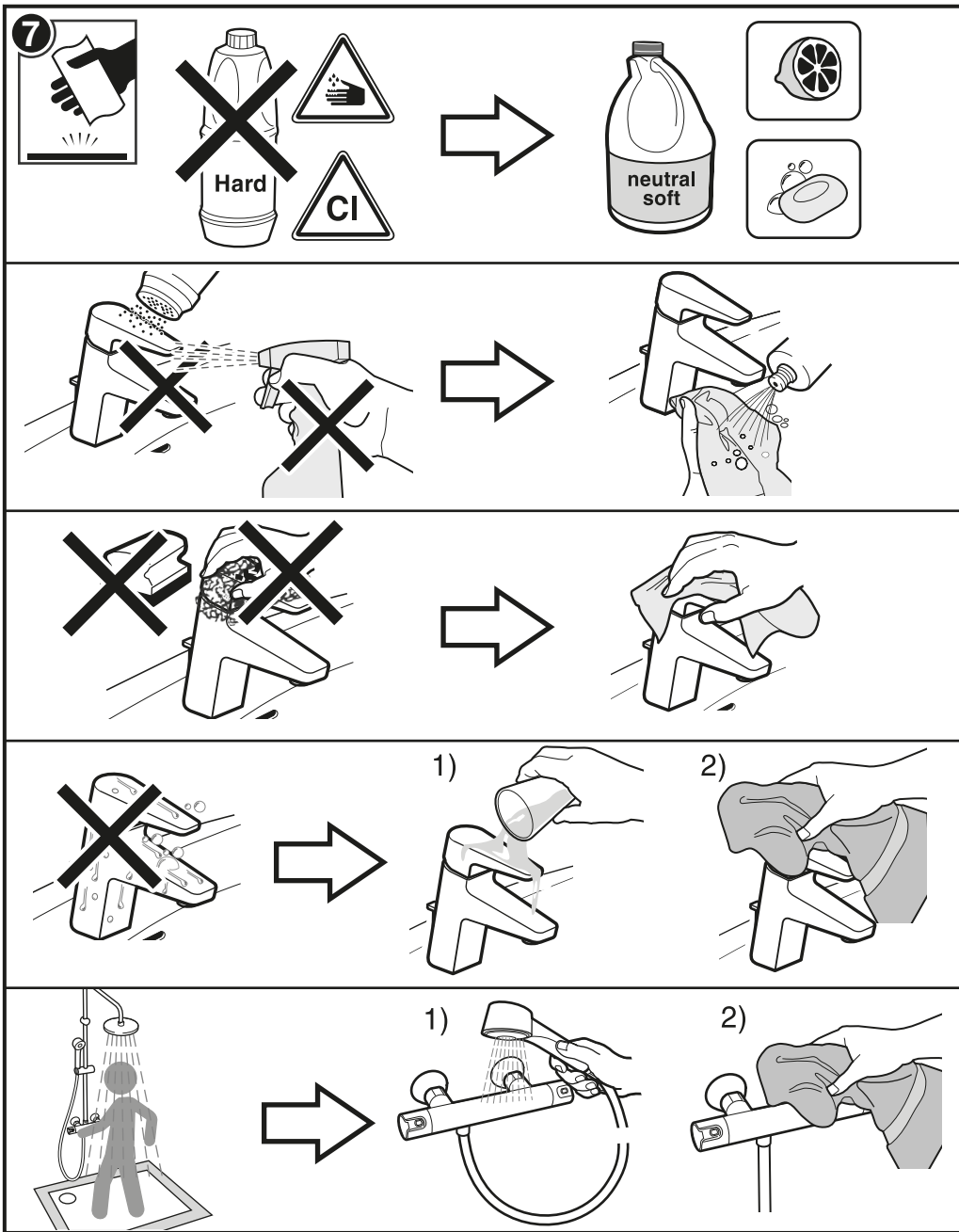
A5A8A8AC0K



- 1- AG0185000R
- 2- AG0179400R
- 3- AG0182000R
- 4- AG0158100R
- 5- AG0185900R
- 6- AG0182700R
- 7- AG0181700R
- 8- AG0185100R
- 9- AG0181100R
- 10- AG0158600R
- 11- AG0183500R

- 12- AG0185200R
- 13- AG0184900R
- 14- AG0182800R
- 15- AG0158700R
- 16- AG0181800R
- 17- AG0179000R
- 18- AG0180700R
- 19- AG0179800R
- 20- AG0179200R
- 21- AG0179300R
- 22- AG0174100R

- 23- A525009800
- 24- AG0003700R
- 25- AG0185400R
- 26- AG0185600R
- 27- AG0185500R
- 28- AG0185700R
- 29- AG0158000R
- 30- AG0158500R



A553098107h



Roca Sanitario, S.A.  
 Avda. Diagonal, 513  
 08029 Barcelona  
 SPAIN  
[www.roca.com](http://www.roca.com)

**902  
304  
848**  LÍNEA DE ATENCIÓN AL CONSUMIDOR ESPAÑA

**902  
400  
423**  SERVICIO TÉCNICO ESPAÑA



[productsupport.rs@roca.net](mailto:productsupport.rs@roca.net)  
[soporteproducto.rs@roca.net](mailto:soporteproducto.rs@roca.net)