

|                          |  |                      |
|--------------------------|--|----------------------|
| <p>*40 405</p>           | <p>*40 438 (S-Size)<br/>*40 875 (Mg+Zn)<br/>*40 876 (U-Safe)</p> | <p>*41 136 (AC)</p>  |
| <p>*40 437</p> <p>6x</p> | <p>*40 877 (RO)</p>  | <p>*40 878 (RO+)</p> |

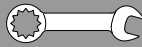
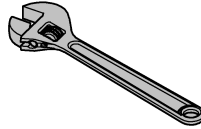
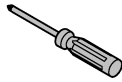
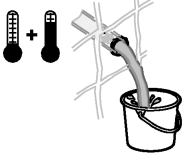


DIN EN 806  
DIN EN 1717  
DIN 1988

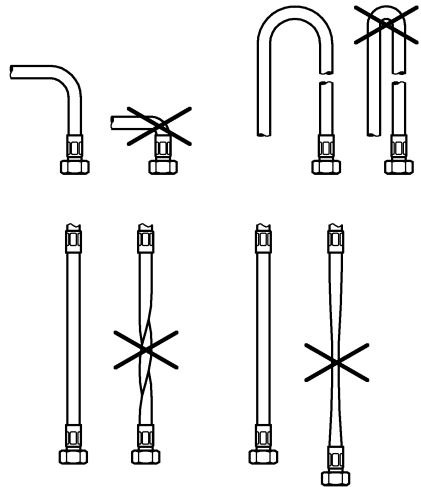
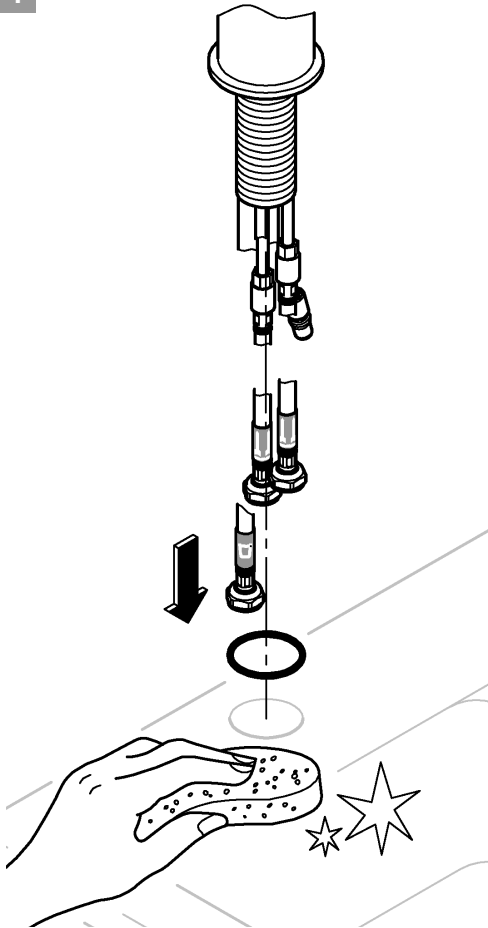


bar  
max. 10  
5  
1

°C  
max. 70°  
60°

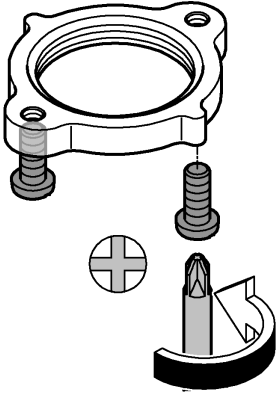


1

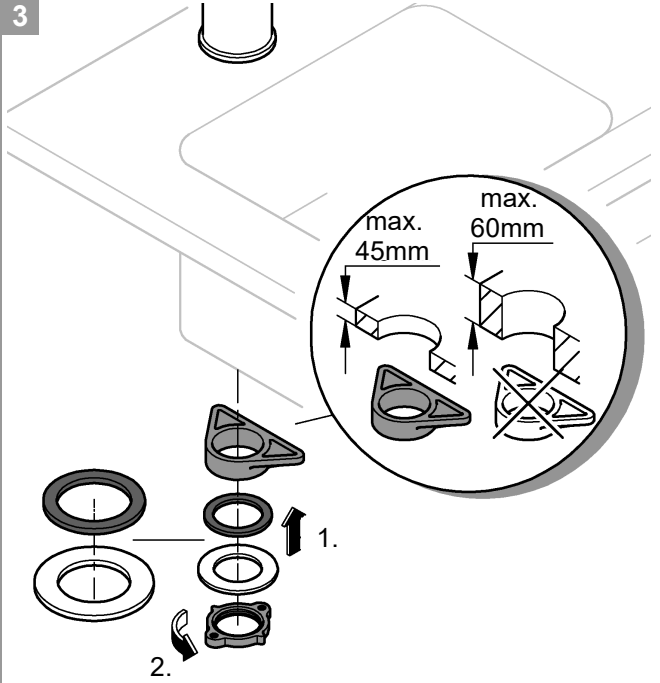




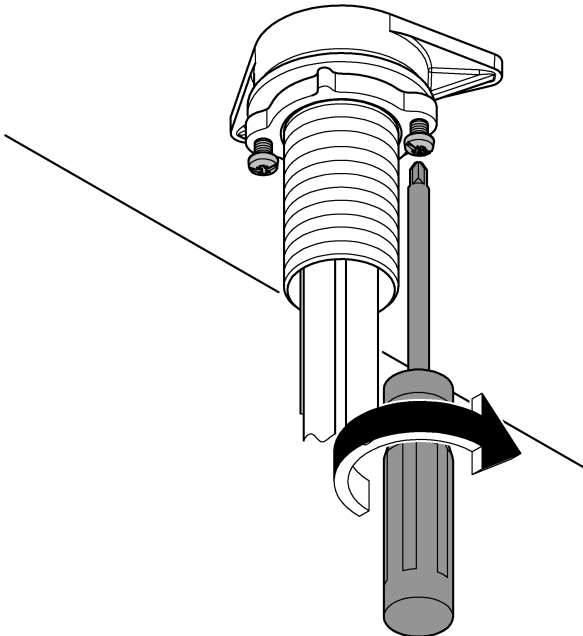
2



3

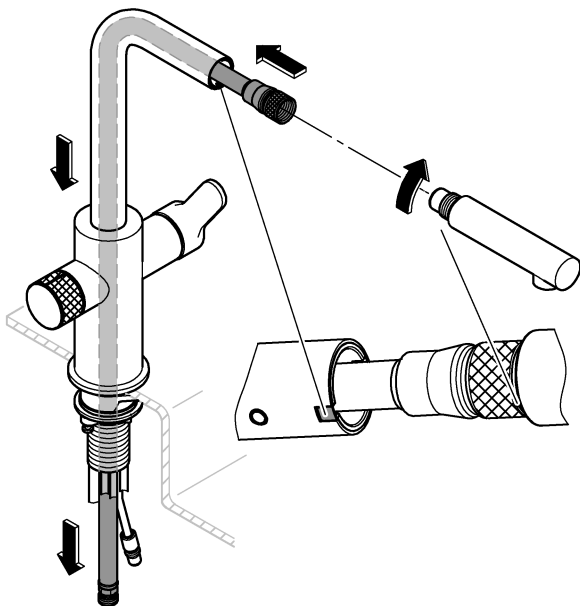


4

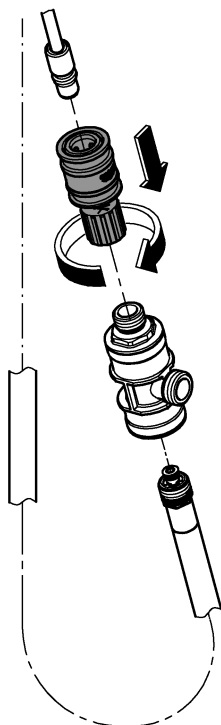




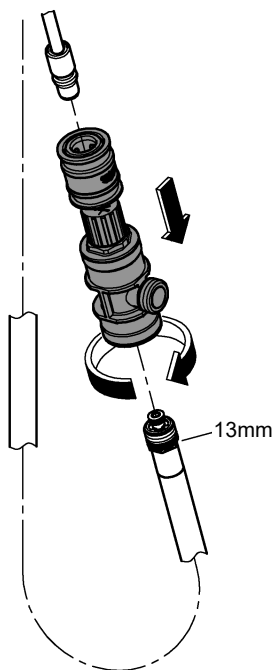
5



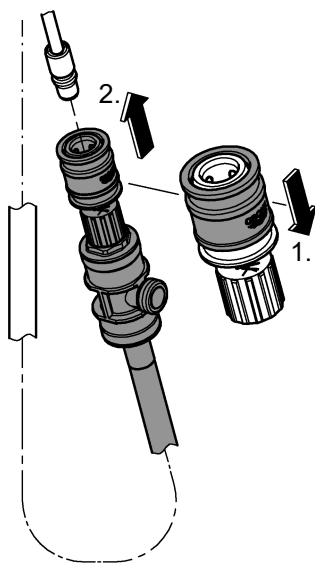
6



7

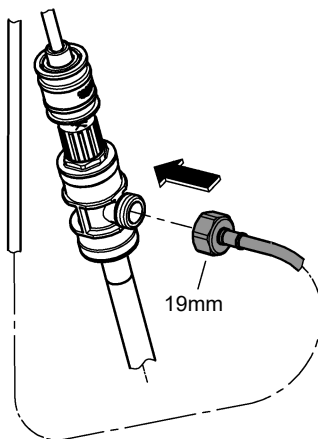
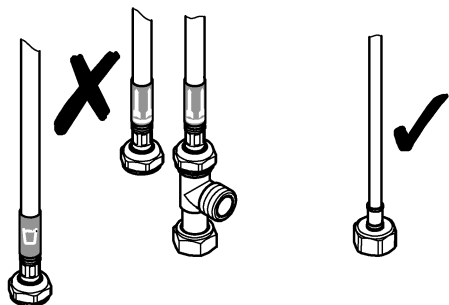


8

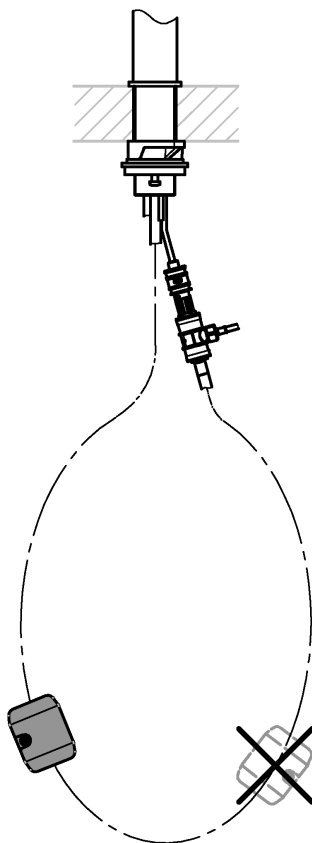
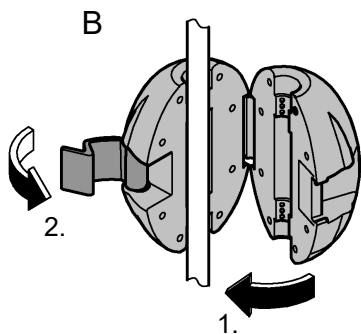
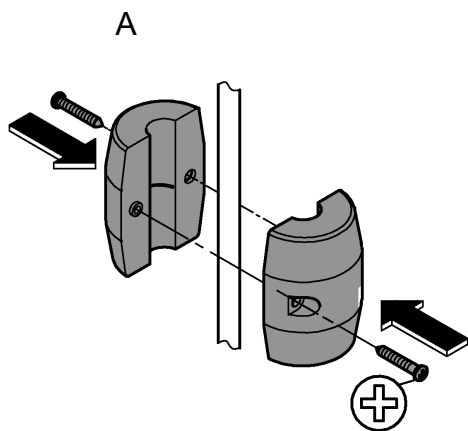




9

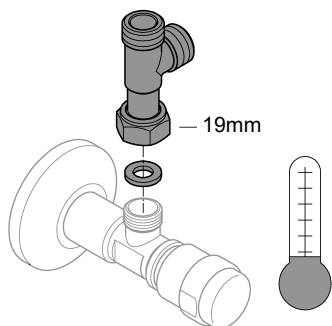


10

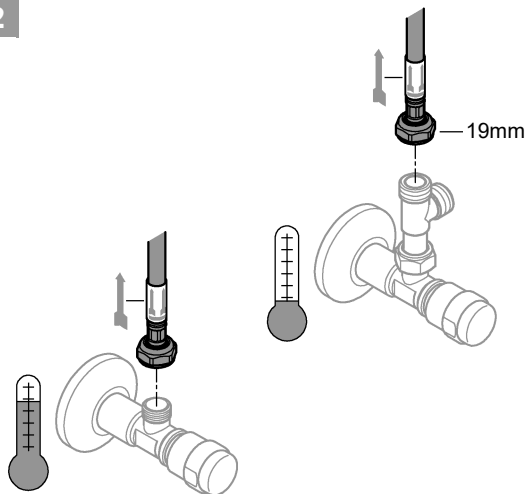




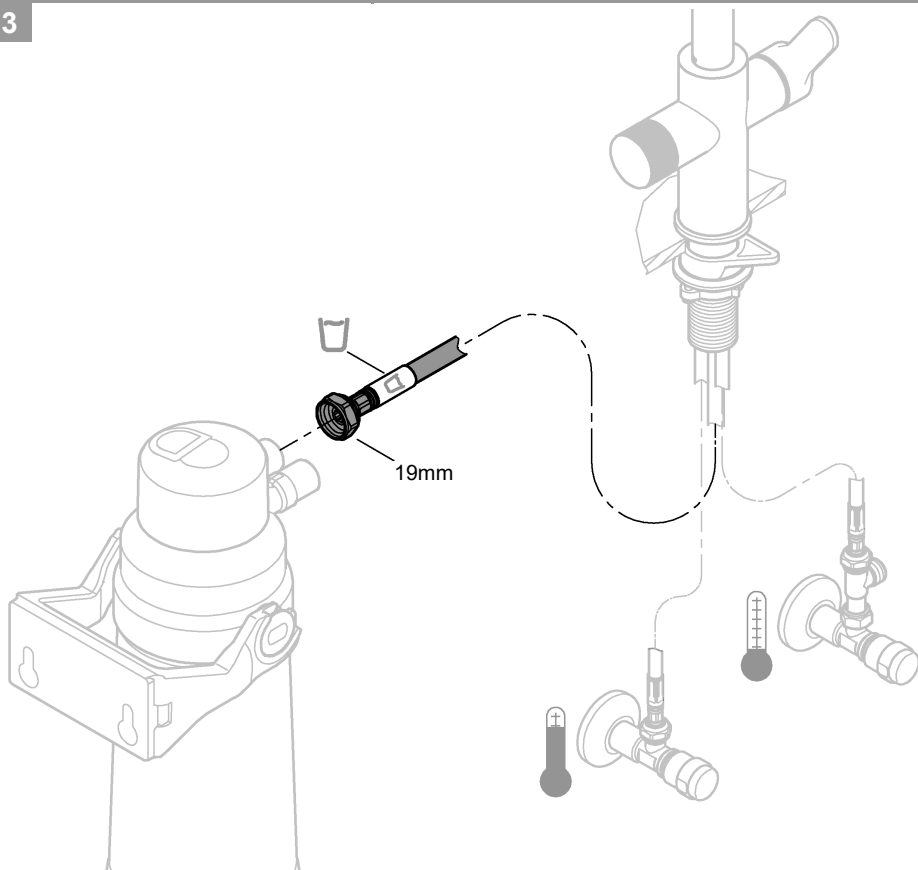
11



12

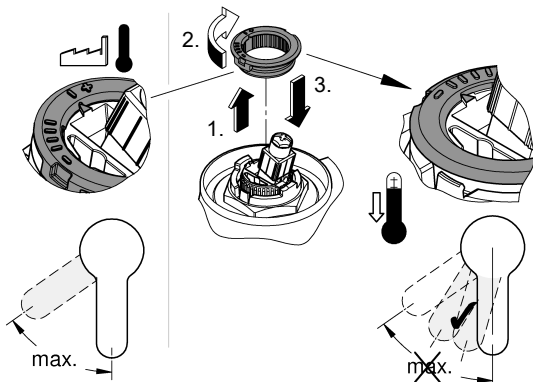
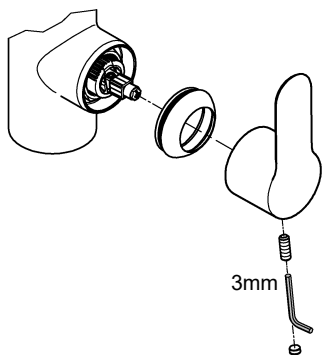
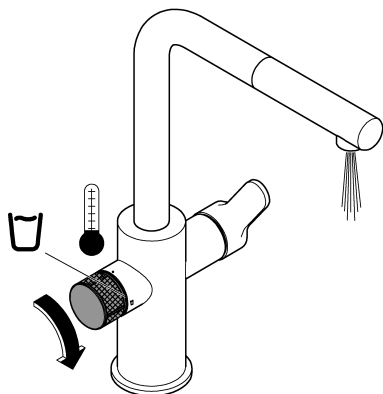
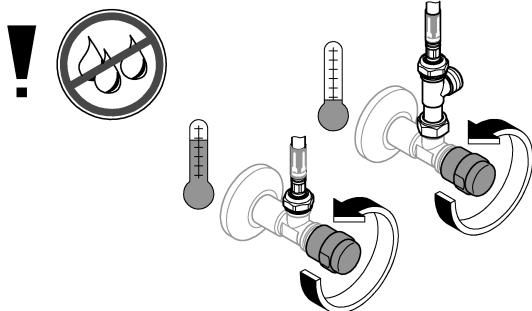


13

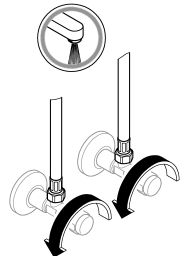
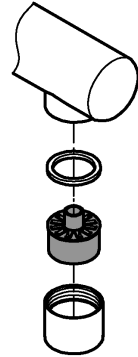
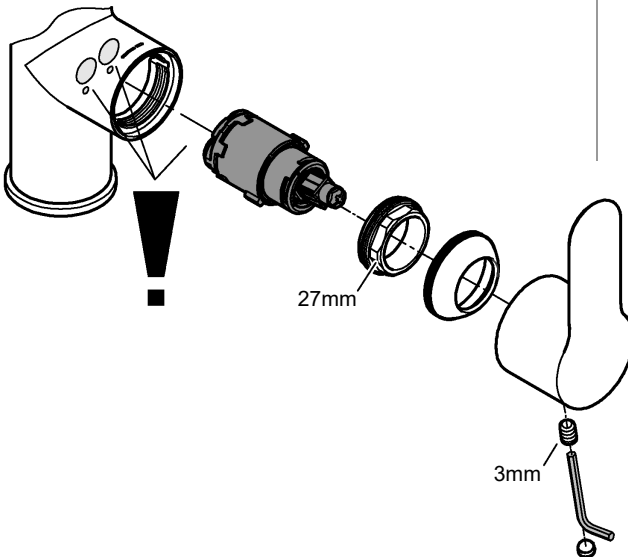
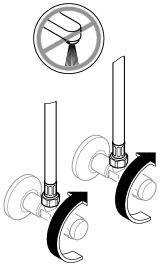
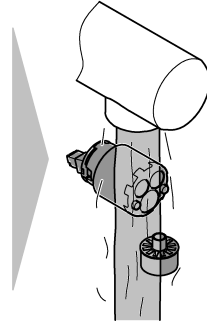
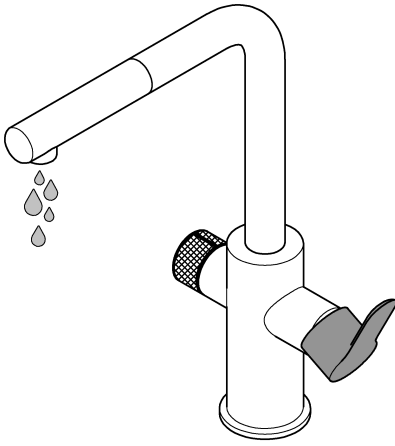


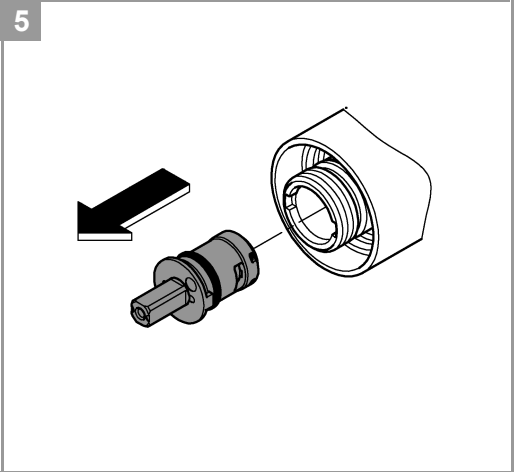
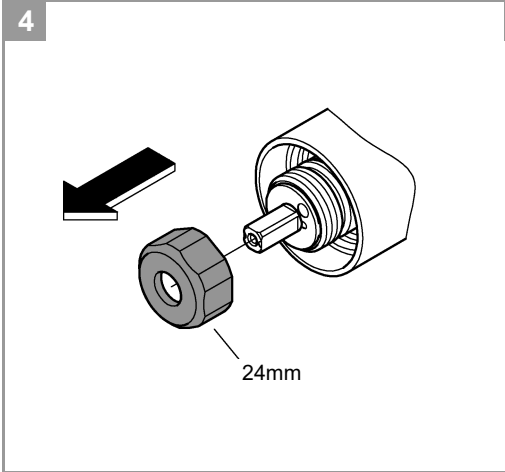
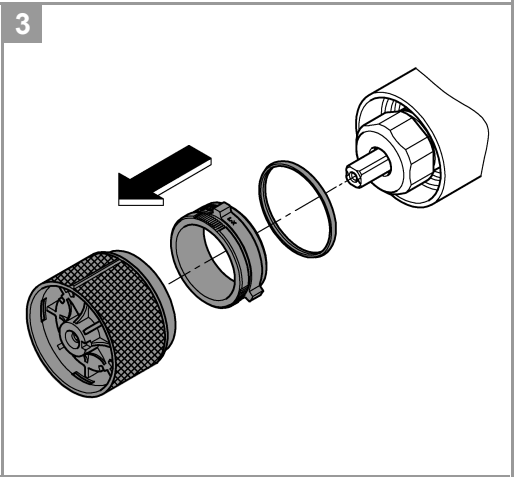
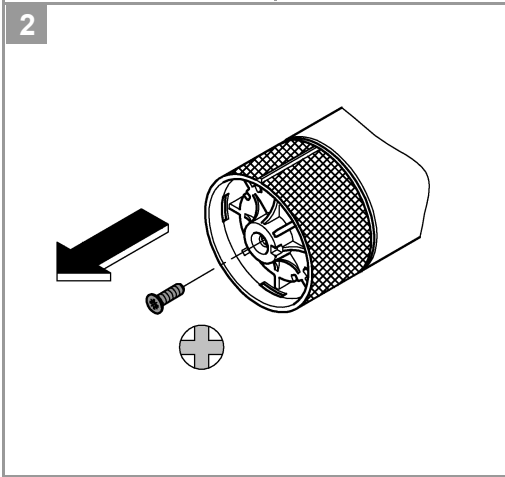
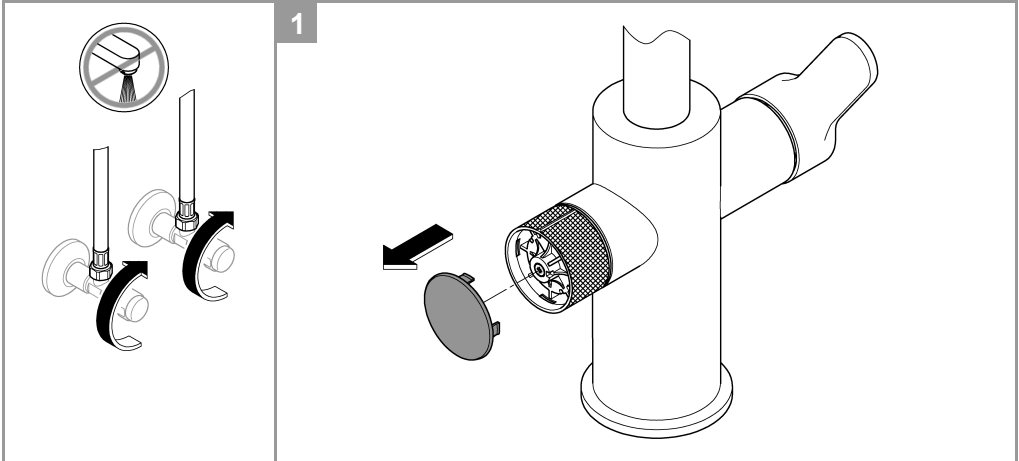


14











6

